

KIT INSTRUCTIONS

Biometrics Reader

7702-K151/K152
Issue A



The product described in this book is a licensed product of NCR Corporation.

NCR is a registered trademark of NCR Corporation. NCR RealPOS is a trademark of NCR Corporation in the United States and/or other countries. Other product names mentioned in this publication may be trademarks or registered trademarks of their respective companies and are hereby acknowledged.

The terms HDMI and HDMI High-Definition Multimedia Interface, and the HDMI Logo are trademarks or registered trademarks of HDMI Licensing LLC in the United States and other countries.

Where creation of derivative works, modifications or copies of this NCR copyrighted documentation is permitted under the terms and conditions of an agreement you have with NCR, NCR's copyright notice must be included.

It is the policy of NCR Corporation (NCR) to improve products as new technology, components, software, and firmware become available. NCR, therefore, reserves the right to change specifications without prior notice.

All features, functions, and operations described herein may not be marketed by NCR in all parts of the world. In some instances, photographs are of equipment prototypes. Therefore, before using this document, consult with your NCR representative or NCR office for information that is applicable and current.

To maintain the quality of our publications, we need your comments on the accuracy, clarity, organization, and value of this book.

Address correspondence to:

Manager, Information Solutions Group
NCR Corporation
Discovery Centre, 3 Fulton Road
Dundee, DD2 4SW
Scotland

Internet Address:

<http://www.info.ncr.com/Feedback>

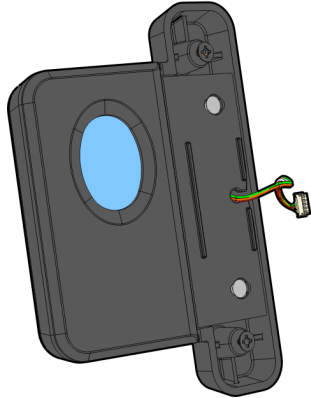
Copyright © 2015
By NCR Corporation
Duluth, GA U.S.A.
All Rights Reserved

Revision Record

Issue	Date	Remarks
A	Jun 2014	First Issue

Biometrics Reader

This kit provides a Biometrics Reader for the RealPOS XR7 POS and X-Series Displays.



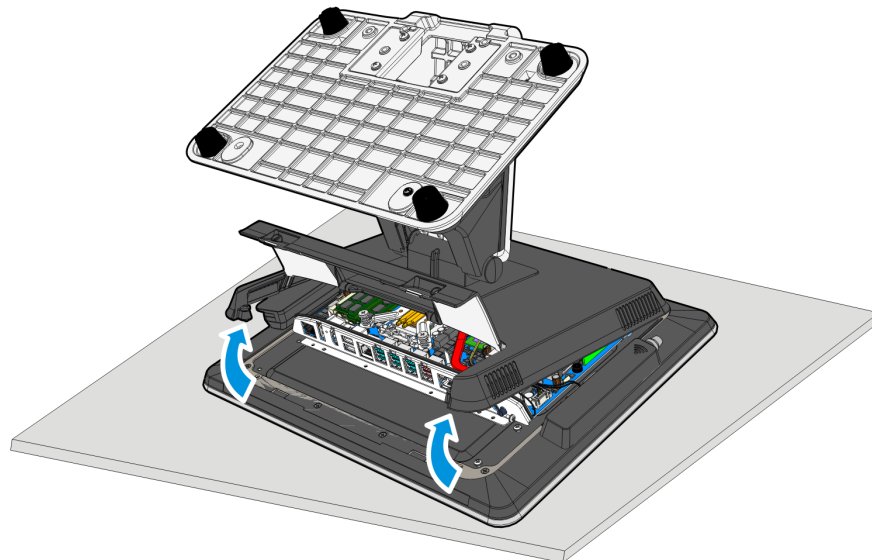
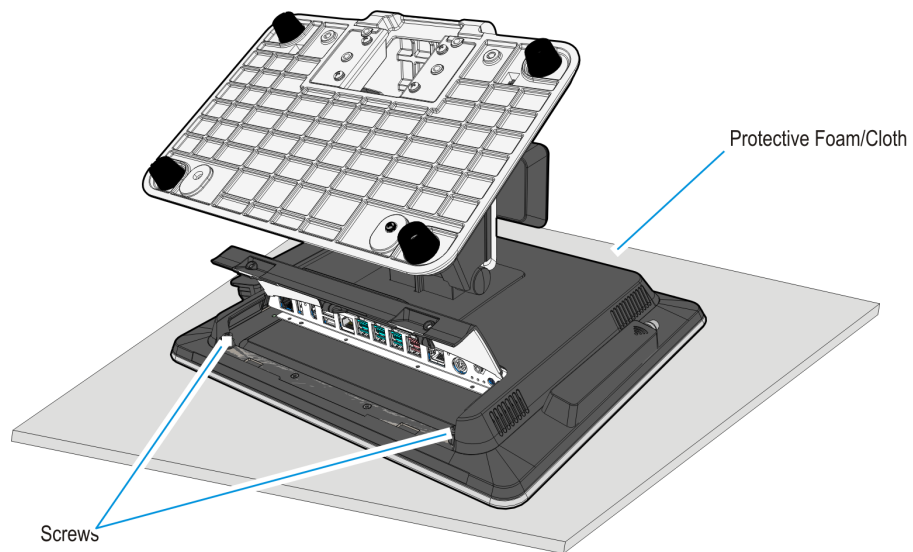
7702 POS

1. Lay the terminal face down on a flat surface.

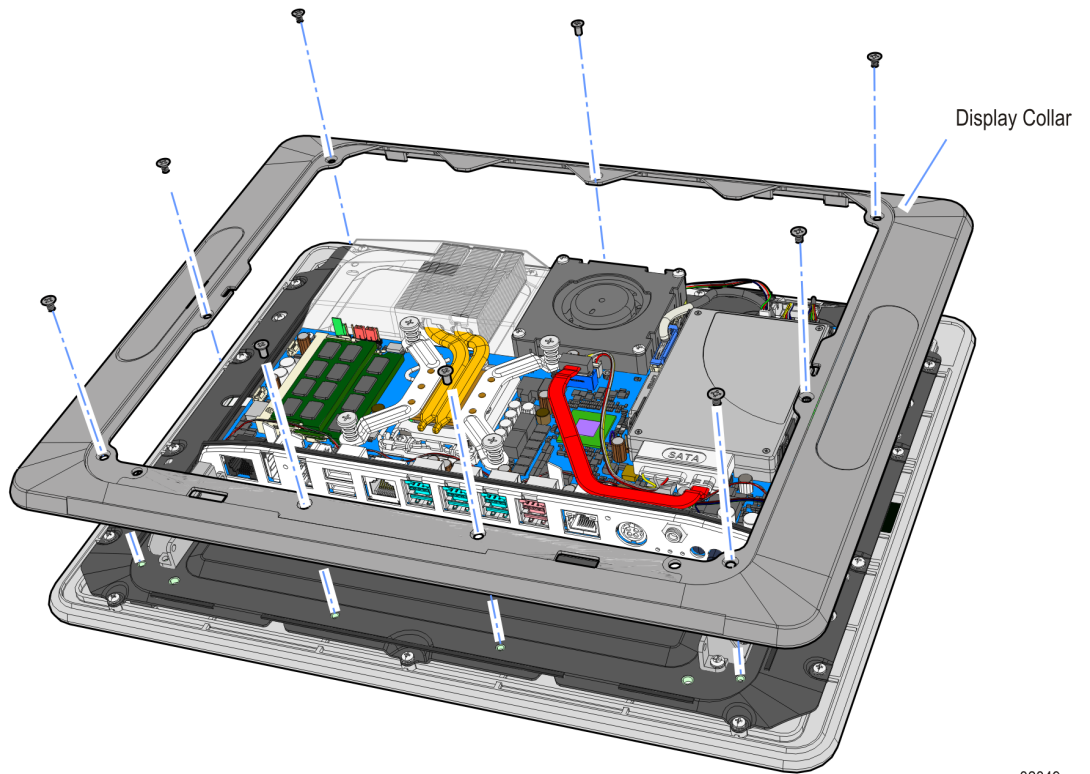


Caution: Always use a soft material (cloth, foam) to protect the display screen when placing the terminal face down.

2. Remove the Base Stand and Rear Cover assembly.
 - a. Loosen the captive screws (2) that secure the Rear Cover to the chassis.
 - b. Pivot the assembly as shown to remove it.

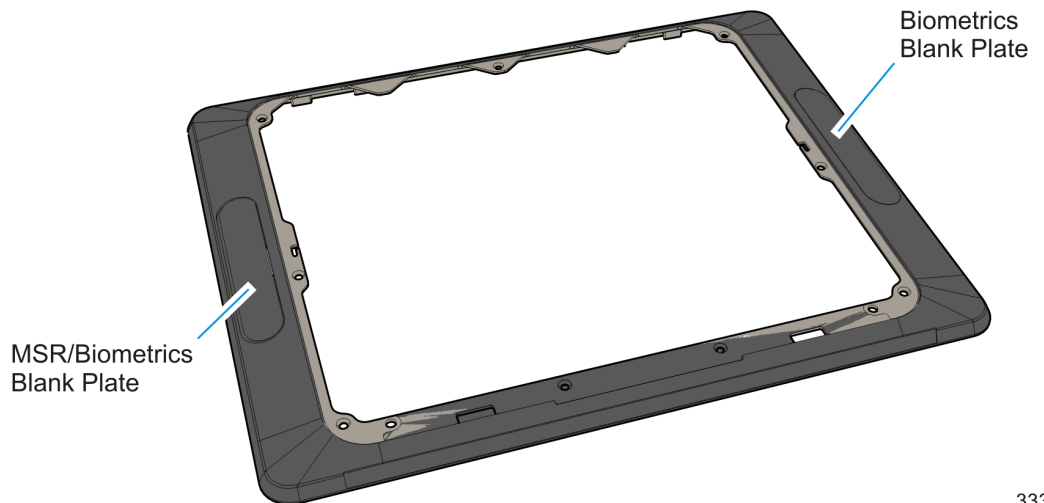


3. Remove the Display Collar (9 screws).



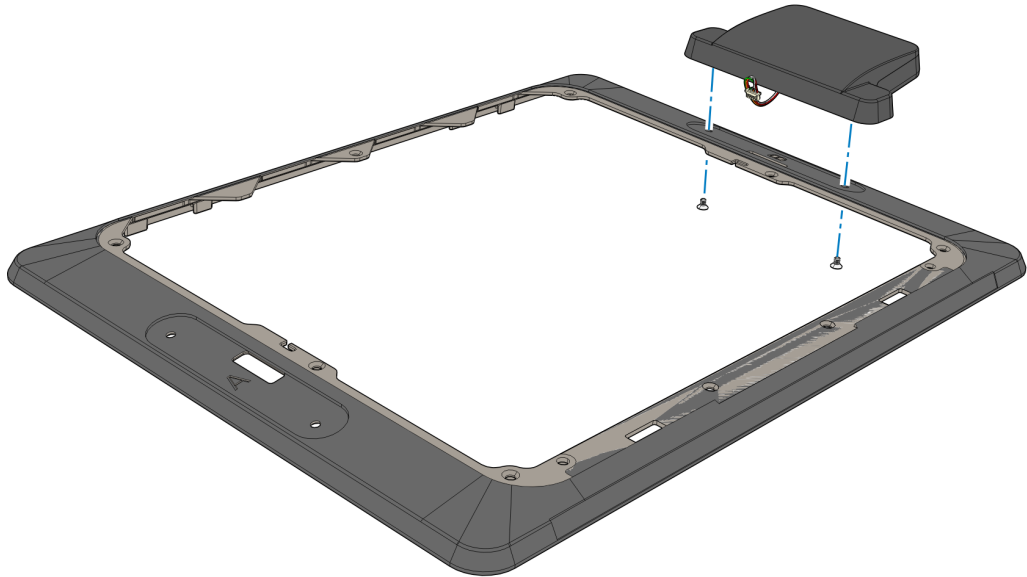
32849

4. Remove the desired Blank Plate from the Display Collar. The plate is connected to the Display Collar with a strong adhesive. Use care when removing it to not damage the Display Collar.



33309-d

5. Install the Biometrics Reader onto the Display Collar (2 screws included in the K 151 Kit).

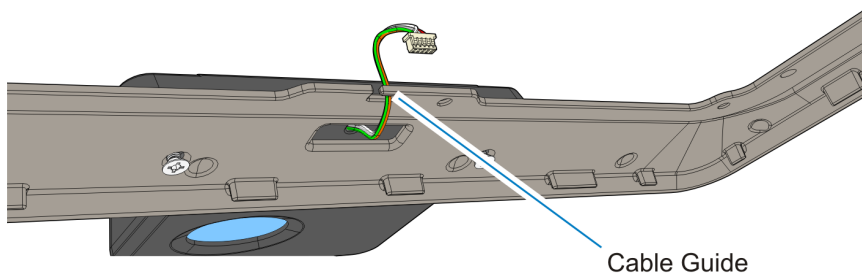


33841



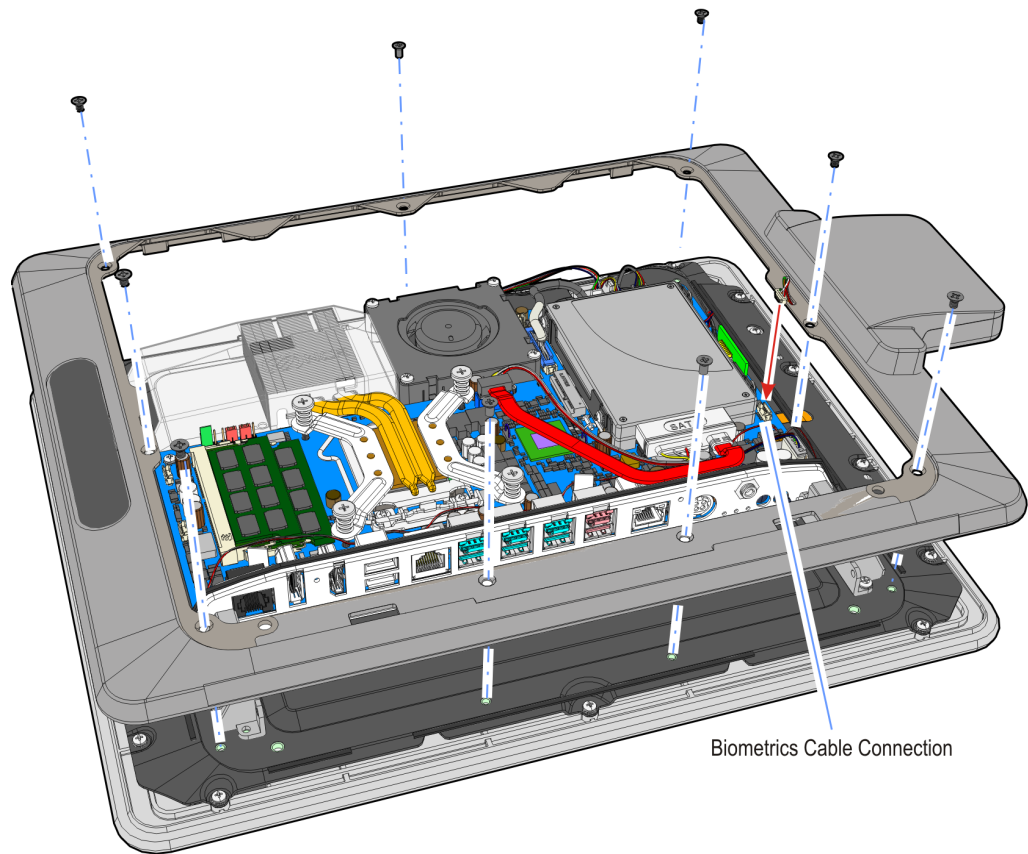
Note: When installing on the right side (Port A), the Biometrics Reader should be installed "upside down".

6. Route the Biometrics Cable through the Cable Guide on the Display Collar.



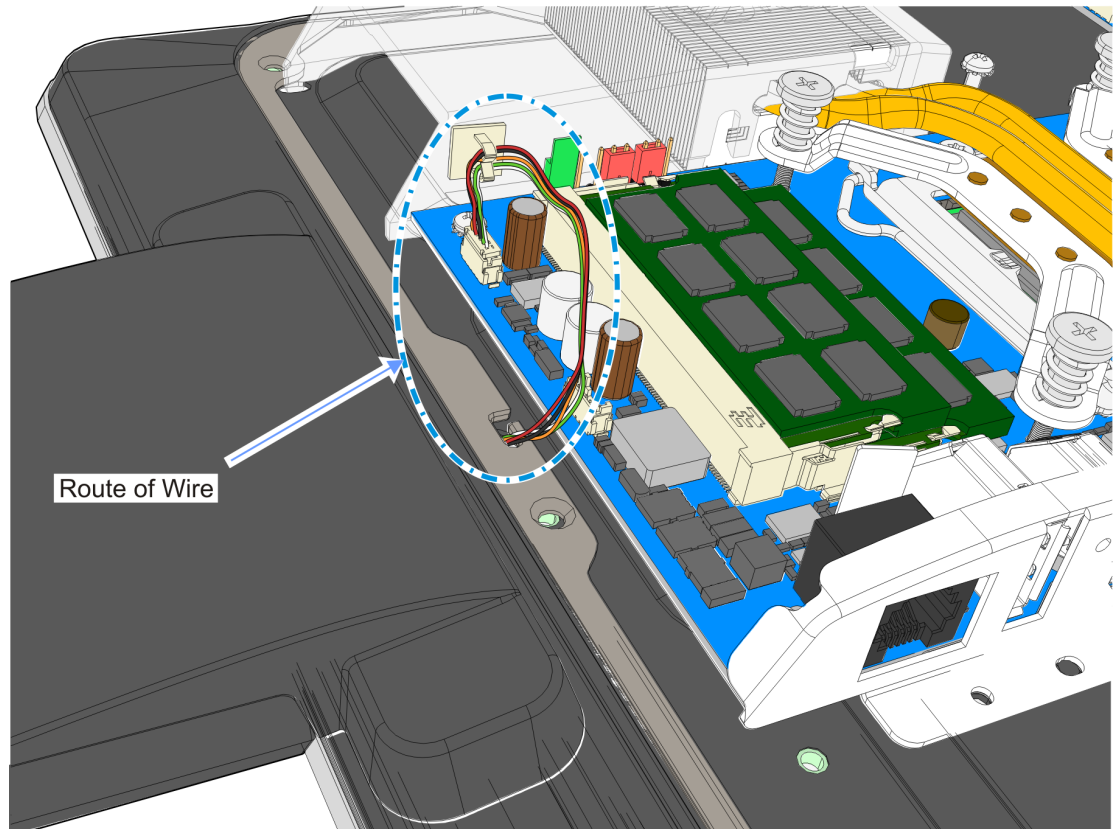
33842

7. Install the Display Collar onto the terminal.
8. Connect the Biometrics Cable to the Motherboard (Red arrow).





Note: When installing the Biometrics Reader on the right side (Port A), route the cable up through the clip and connect the Biometrics Cable to the upper connector.



ATL-34044

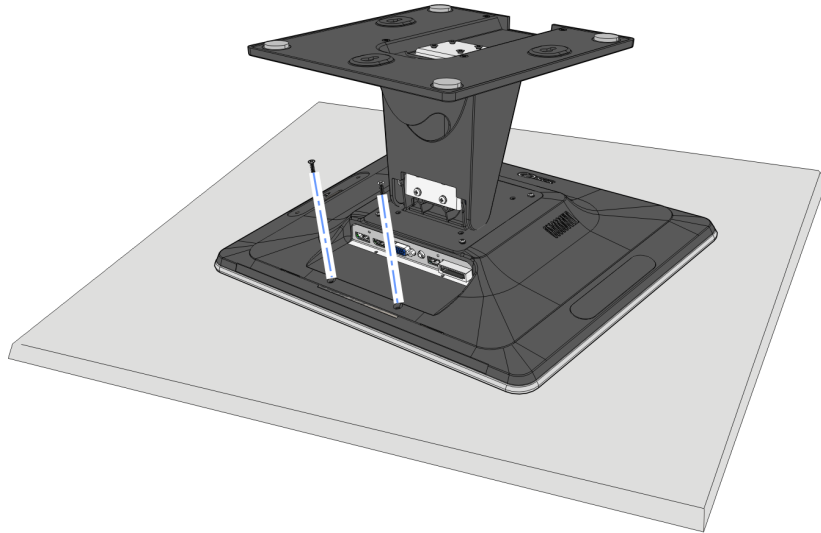
9. Replace the Base Stand and Rear Cover assembly on the terminal.

X-Series Displays (15-Inch)

1. Remove the screws (2) that secure the Stand and Rear Cover to the display.

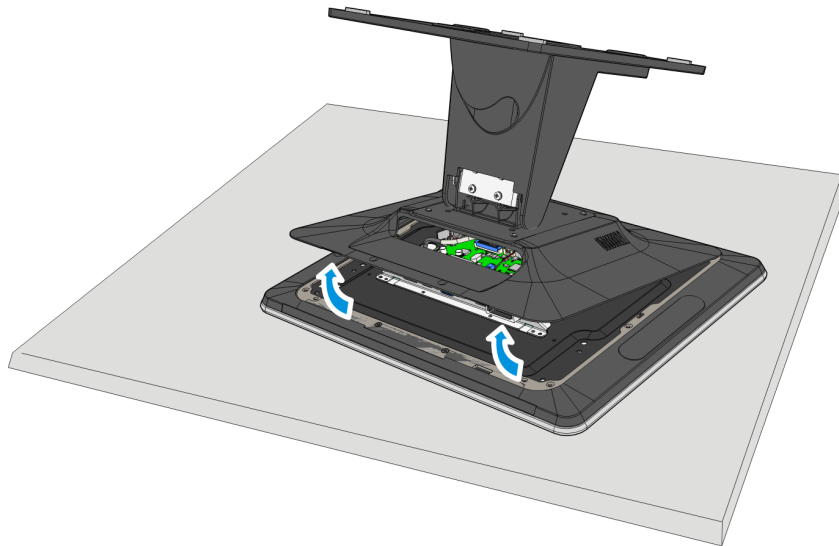


Caution: Always use a soft material (cloth, foam) to protect the display screen when placing the terminal face down.



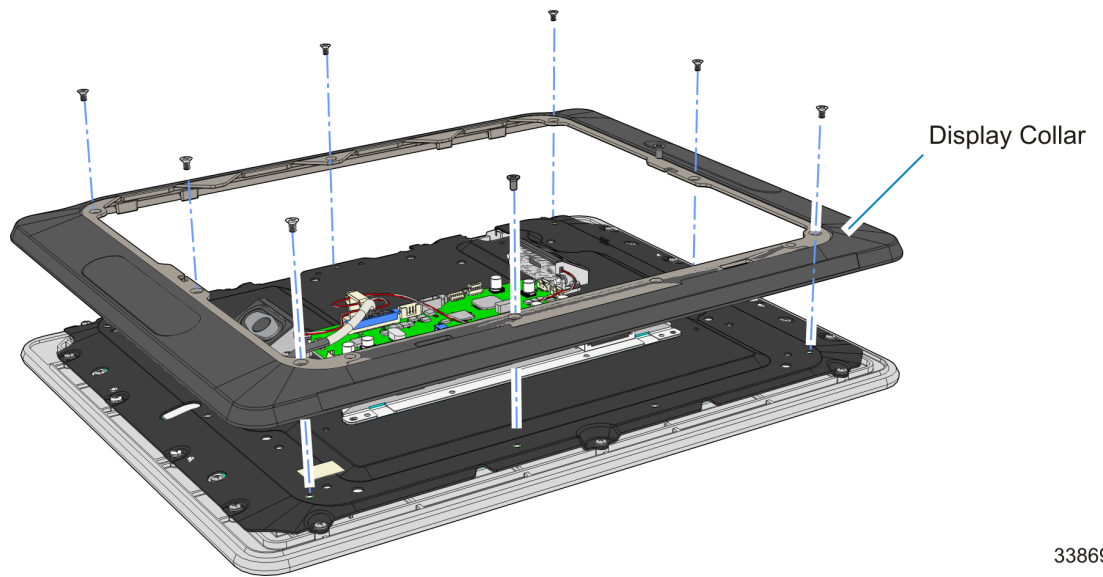
33867

2. Pivot the Stand and Rear Cover assembly as shown to remove it.

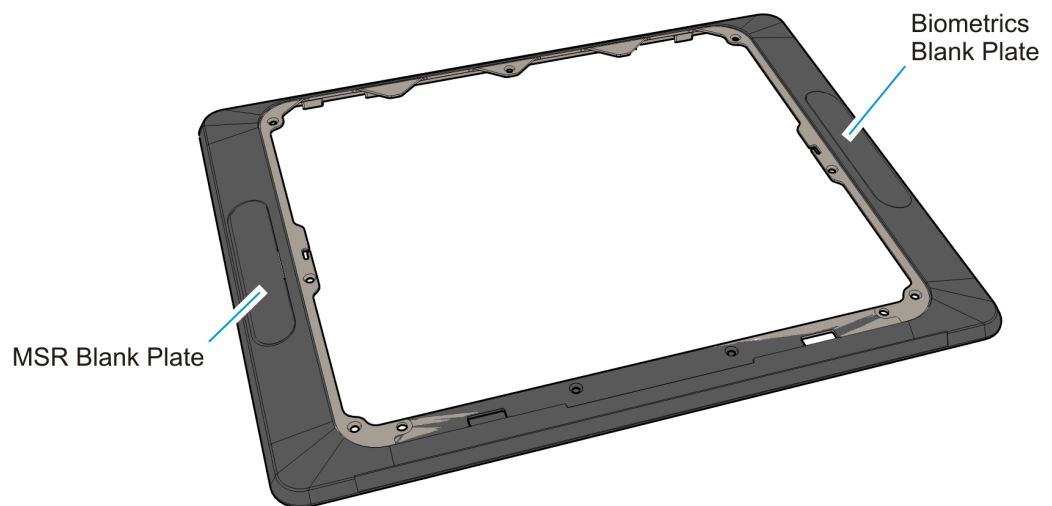


33868

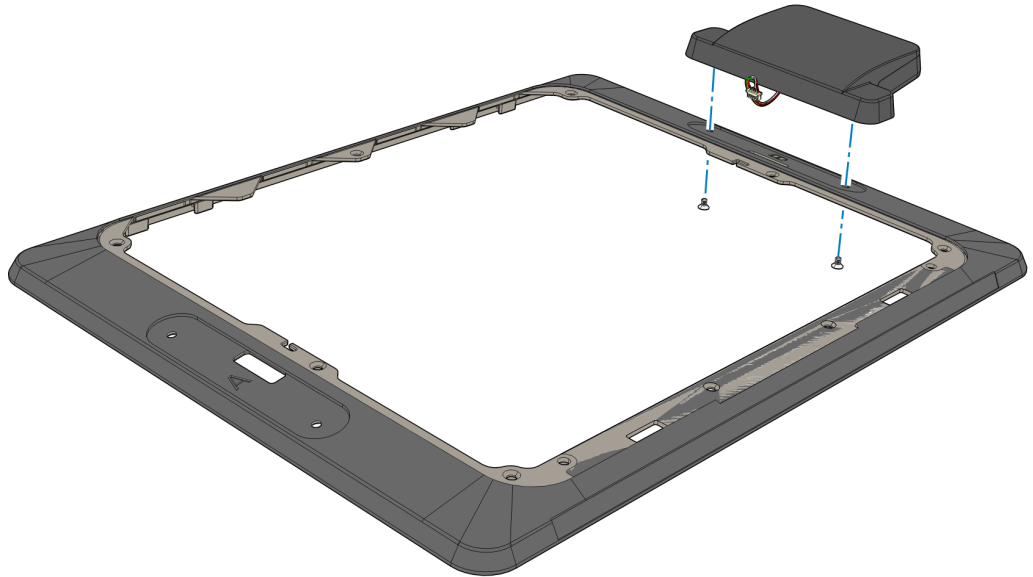
3. Remove the Display Collar (7 screws).



4. Remove the Blank Plate from the Display Collar. The plate is connected to the Display Collar with a strong adhesive. Use care when removing it to not damage the Display Collar.

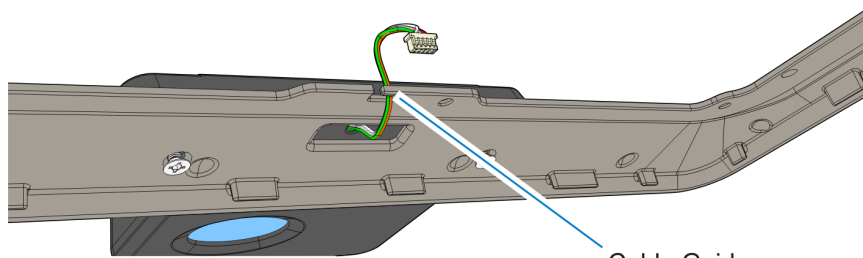


5. Install the Biometrics Reader module onto the Display Collar (2 screws included in the K 151 Kit).



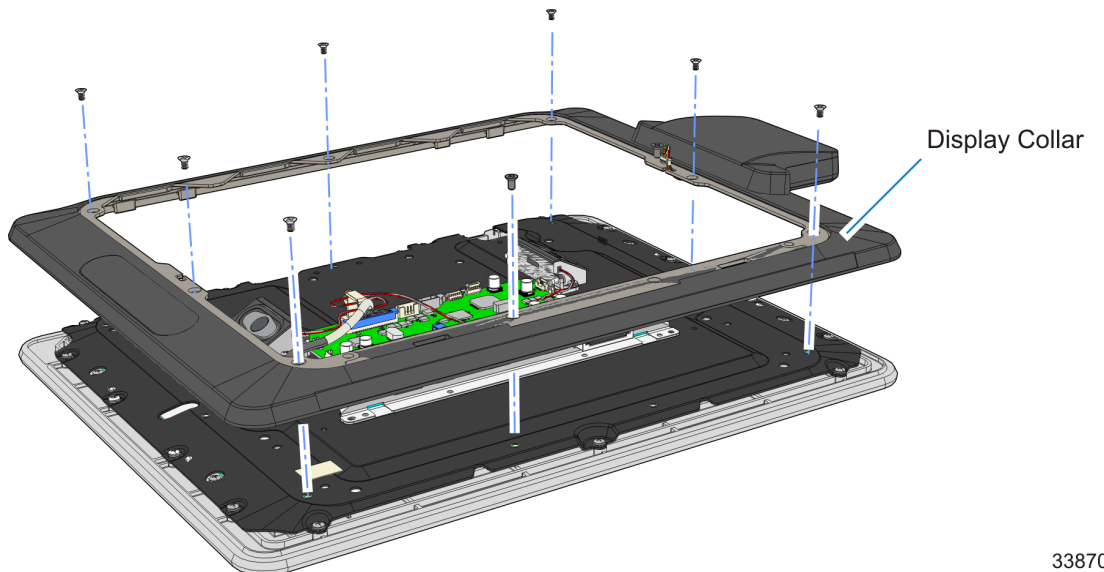
33841

6. Route the Biometrics Reader Cable through the Cable Guide on the Display Collar.



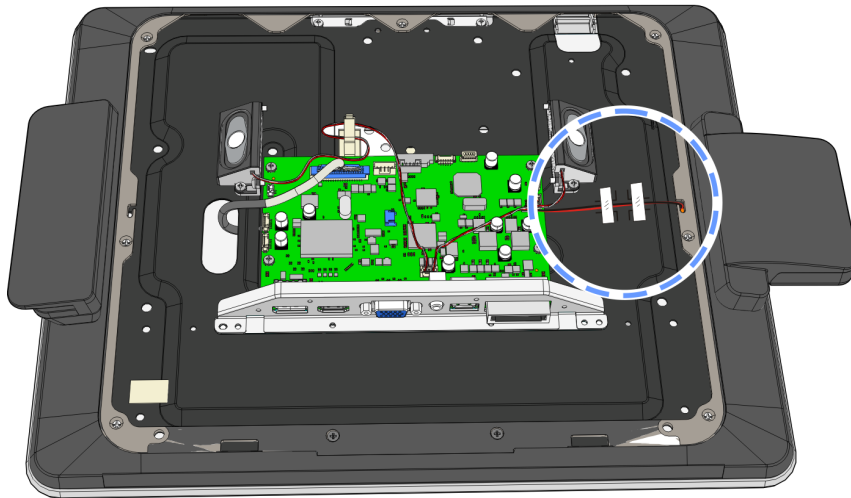
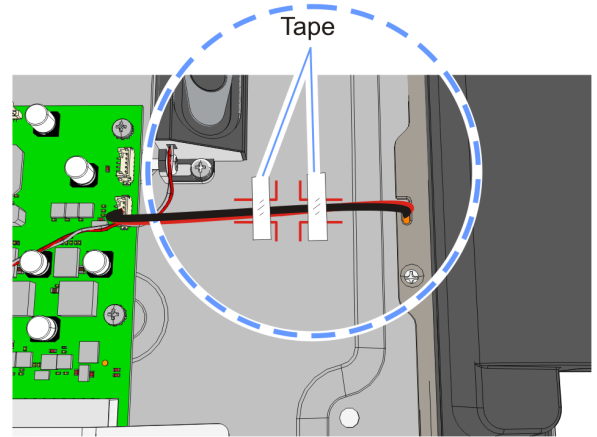
33842

7. Install the Display Collar onto the terminal (7 screws).



33870

8. Connect the Biometrics Reader Cable to the Video Board.
9. Tape the Biometrics Reader Cable to the Display Sled between the score lines as shown below. This locates the cable so it does not get pinched when the Rear Cover is installed.

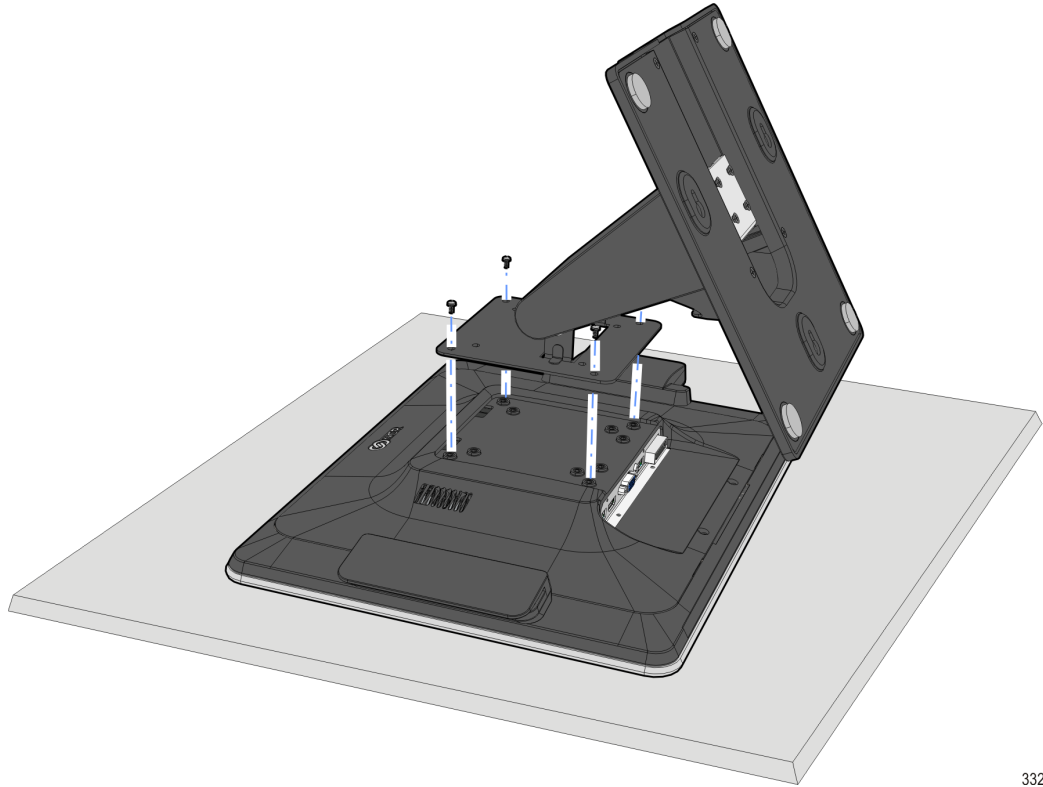


33866

10. Replace the Rear Cover.
11. Reinstall the terminal onto the Base Stand.

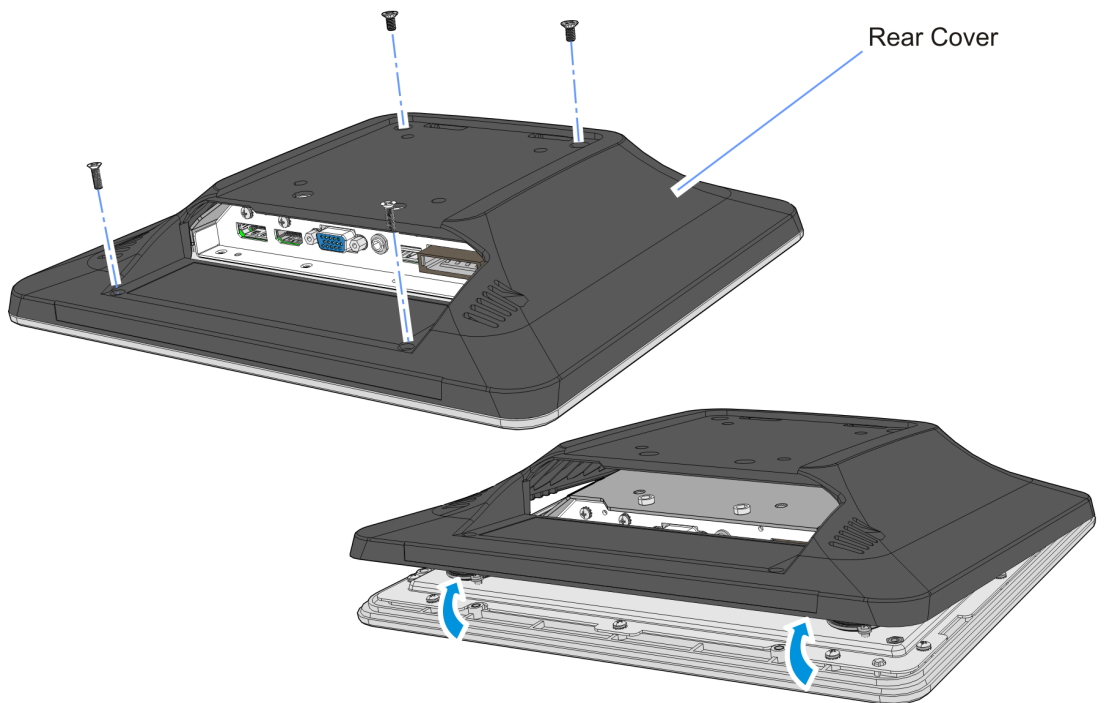
X-Series Displays (10-Inch)

1. Remove the screws (4) that secure the Mount to the display.



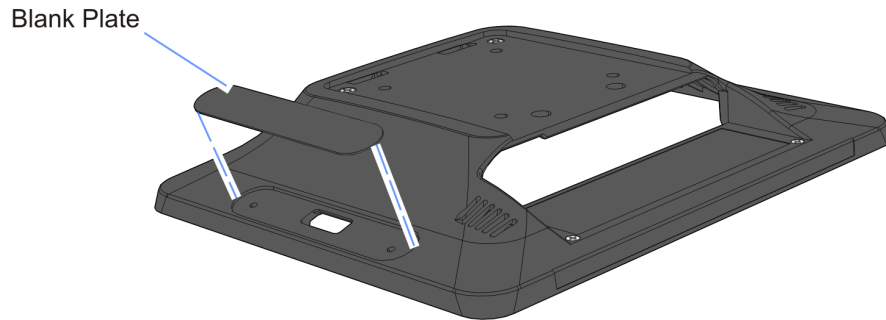
33262

2. Remove the Rear Cover screws (4).
3. Pivot the Rear Cover as shown to remove it.



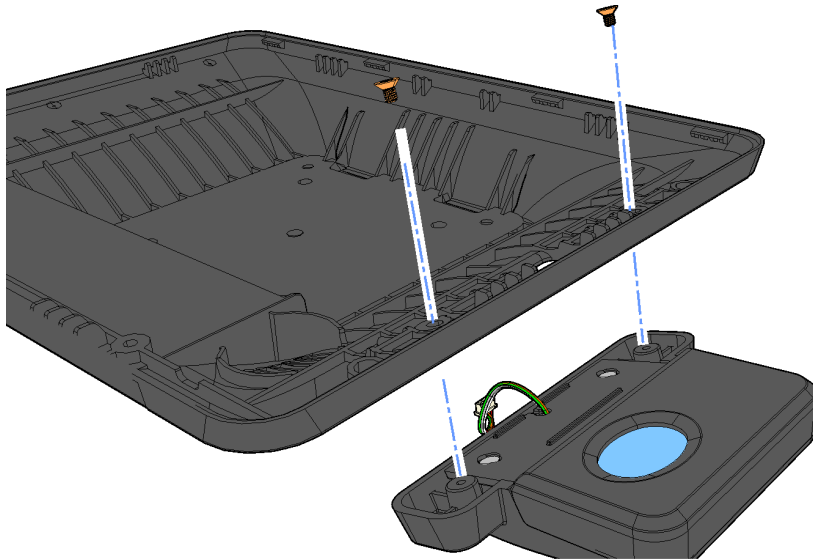
33865

4. Remove the Blank Plate from the Display Collar. The plate is connected to the Rear Cover with a strong adhesive. Use care when removing it to not damage the Display Collar.



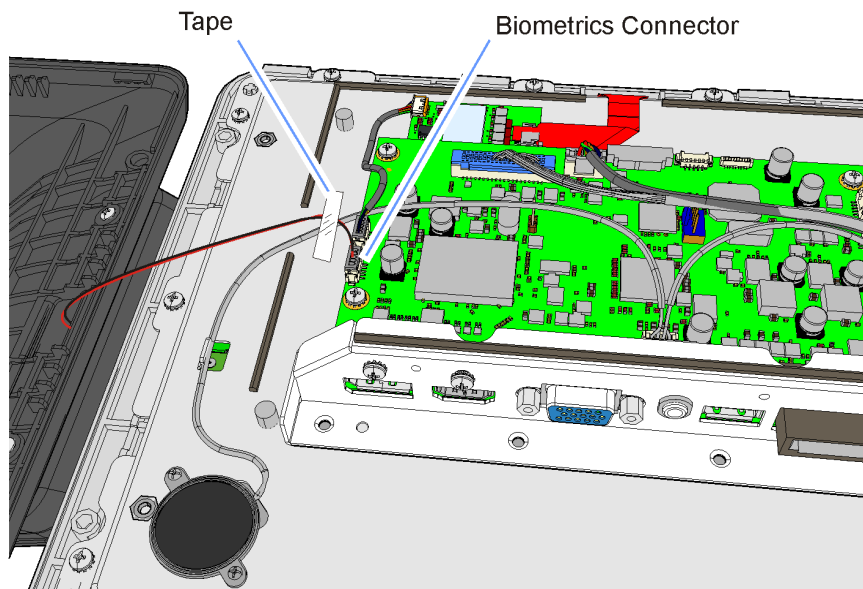
33864

5. Install the Biometrics Reader on the Rear Cover (2 screws).



33949

6. Connect the Biometrics Cable to the Video Board.
7. Secure the Biometrics cable to the Display Sled with tape as shown (between the gaskets).



33860a

8. Reinstall the Rear Cover (4 screws).
9. Reinstall the Stand.

