

KIT INSTRUCTIONS

Audio Cable

7702-K113
Issue A



The product described in this book is a licensed product of NCR Corporation.

NCR is a registered trademark of NCR Corporation. NCR RealPOS is a trademark of NCR Corporation in the United States and/or other countries. Other product names mentioned in this publication may be trademarks or registered trademarks of their respective companies and are hereby acknowledged.

The terms HDMI and HDMI High-Definition Multimedia Interface, and the HDMI Logo are trademarks or registered trademarks of HDMI Licensing LLC in the United States and other countries.

Where creation of derivative works, modifications or copies of this NCR copyrighted documentation is permitted under the terms and conditions of an agreement you have with NCR, NCR's copyright notice must be included.

It is the policy of NCR Corporation (NCR) to improve products as new technology, components, software, and firmware become available. NCR, therefore, reserves the right to change specifications without prior notice.

All features, functions, and operations described herein may not be marketed by NCR in all parts of the world. In some instances, photographs are of equipment prototypes. Therefore, before using this document, consult with your NCR representative or NCR office for information that is applicable and current.

To maintain the quality of our publications, we need your comments on the accuracy, clarity, organization, and value of this book.

Address correspondence to:

Manager, Information Solutions Group
NCR Corporation
Discovery Centre, 3 Fulton Road
Dundee, DD2 4SW
Scotland

Internet Address:

<http://www.info.ncr.com/Feedback>

Copyright © 2015
By NCR Corporation
Duluth, GA U.S.A.
All Rights Reserved

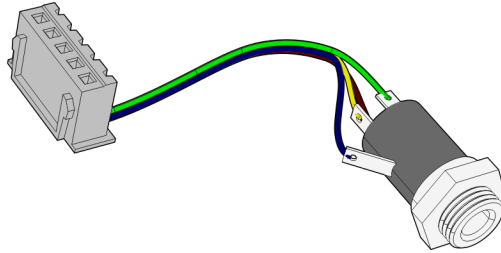
Revision Record

| Issue | Date | Remarks |
|-------|----------|-------------|
| A | Jun 2015 | First Issue |
| | | |
| | | |

Audio Cable

This kit provides a cable to add audio (none-amplified) for the RealPOS XR7 POS.

Panel Mount Audio Cable
497-0509927



The cable installs on the XR7 I/O Panel.

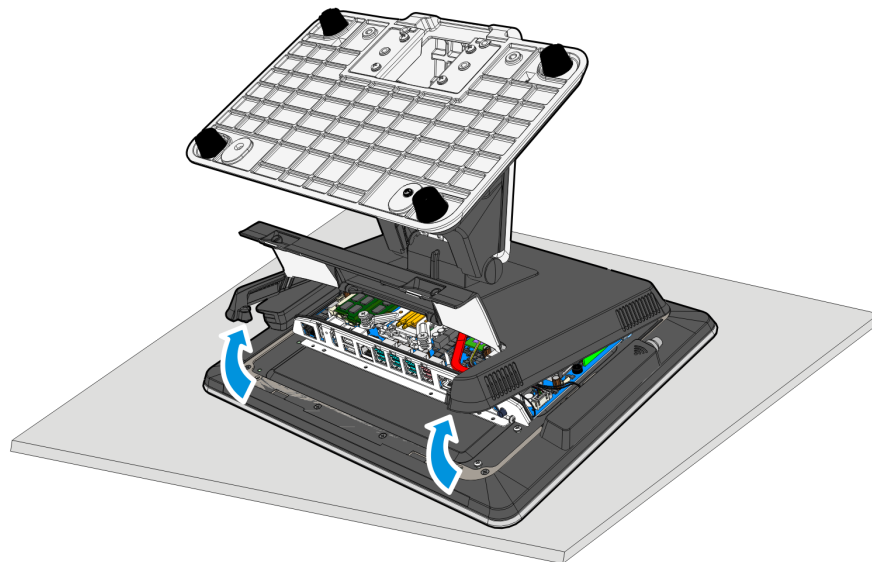
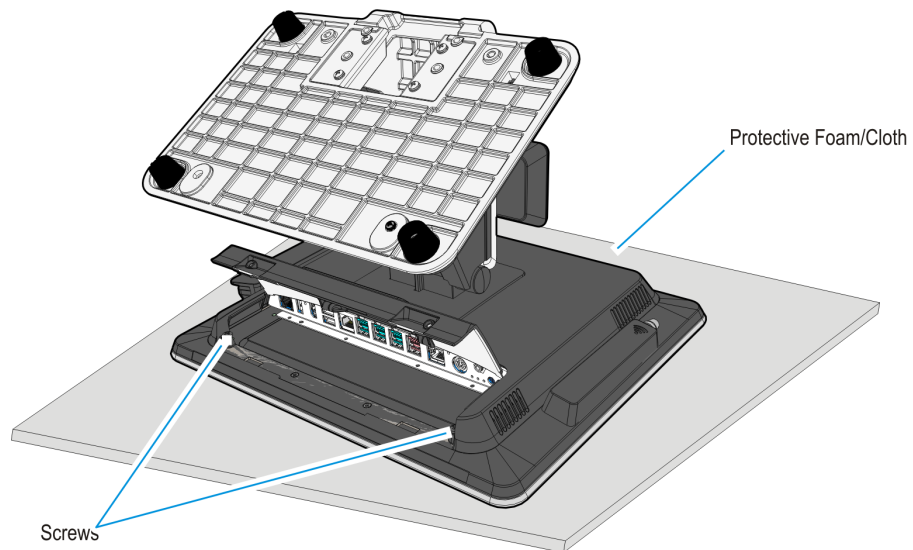
33873

Installation Procedures

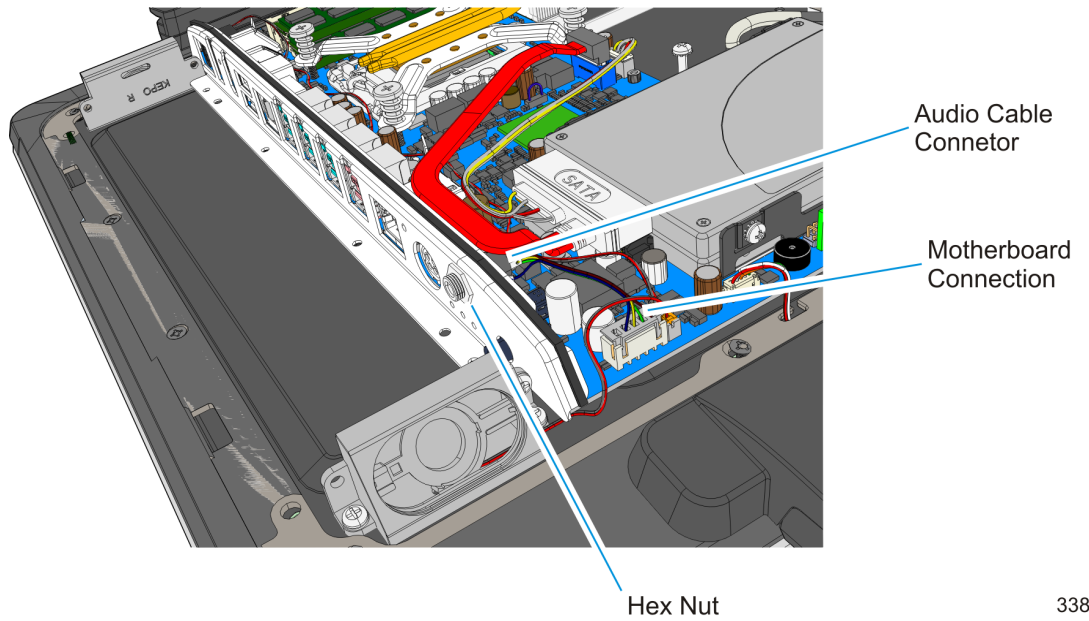
1. Lay the terminal face down on a flat surface.

Caution: Always use a soft material (cloth, foam) to protect the display screen when placing the terminal face down.

2. Remove the Base Stand and Rear Cover assembly.
 - a. Loosen the captive screws (2) that secure the Rear Cover to the chassis.
 - b. Pivot the assembly as shown to remove it.



3. Install the Audio Cable Connector in the I/O Panel and secure it with the hex nut.



4. Connect the Audio Cable to the Motherboard.
5. Replace the Base Stand and Rear Cover assembly on the terminal.

