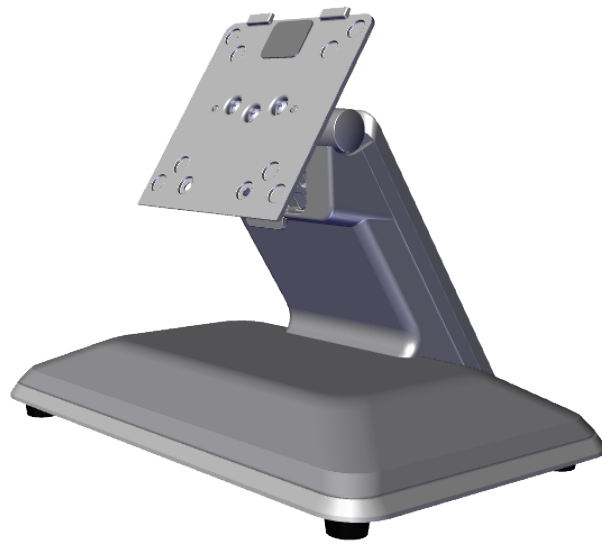


# KIT INSTRUCTIONS

## RealPOS XR7 POS Stand with Power Brick



7702-K031  
Issue B



---

The product described in this book is a licensed product of NCR Corporation.

NCR is a registered trademark of NCR Corporation. NCR RealPOS is a trademark of NCR Corporation in the United States and/or other countries. Other product names mentioned in this publication may be trademarks or registered trademarks of their respective companies and are hereby acknowledged.

The terms HDMI and HDMI High-Definition Multimedia Interface, and the HDMI Logo are trademarks or registered trademarks of HDMI Licensing LLC in the United States and other countries.

Where creation of derivative works, modifications or copies of this NCR copyrighted documentation is permitted under the terms and conditions of an agreement you have with NCR, NCR's copyright notice must be included.

It is the policy of NCR Corporation (NCR) to improve products as new technology, components, software, and firmware become available. NCR, therefore, reserves the right to change specifications without prior notice.

All features, functions, and operations described herein may not be marketed by NCR in all parts of the world. In some instances, photographs are of equipment prototypes. Therefore, before using this document, consult with your NCR representative or NCR office for information that is applicable and current.

To maintain the quality of our publications, we need your comments on the accuracy, clarity, organization, and value of this book. Please use the link below to send your comments.

EMail: [FD230036@ncr.com](mailto:FD230036@ncr.com)

Copyright © 2015–2018

By NCR Corporation

Atlanta, GA U.S.A.

All Rights Reserved

## Revision Record

Issue	Date	Remarks
A	Feb 2015	First Issue
B	Aug 2018	Added 006-8622686 (M4x12 Screws)

---

# RealPOS XR7 POS Stand with Power Brick

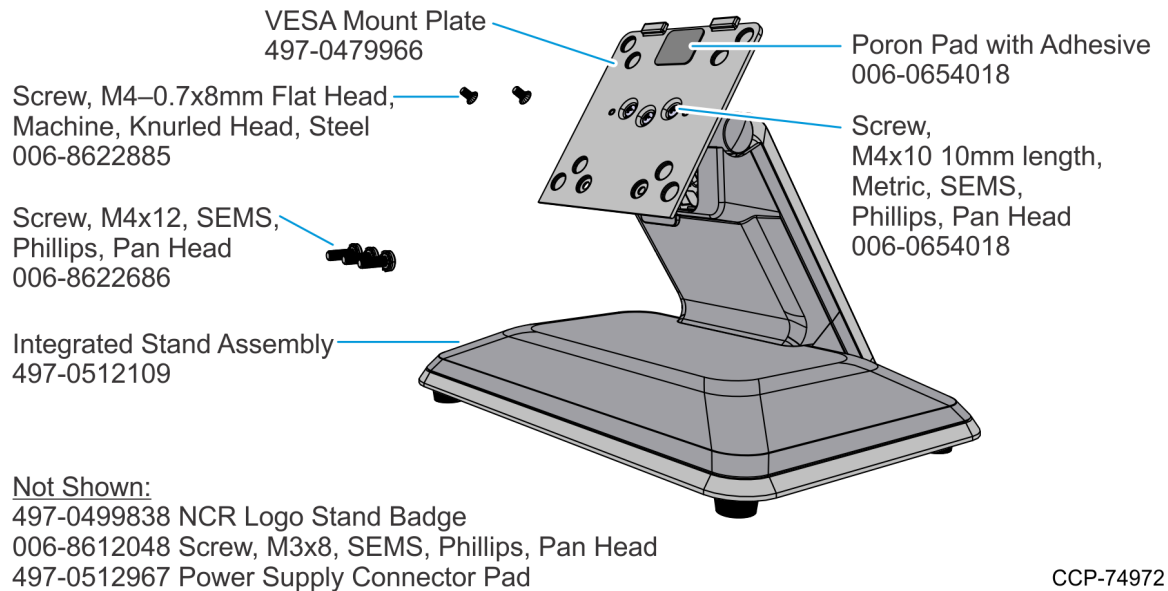
---

This kit provides a table-top stand for the following:

- P1535 POS (7761)
- RealPOS XR5 POS (7701)
- RealPOS XR7 POS (7702)
- RealPOS XR7 Plus POS (7703)
- RealPOS X-Series Displays (5985/5968)
- XL10 Display (5910)
- XL15 Display (5915)

The stand is designed to accommodate the terminal Power Brick (7702-K120) inside the Base.

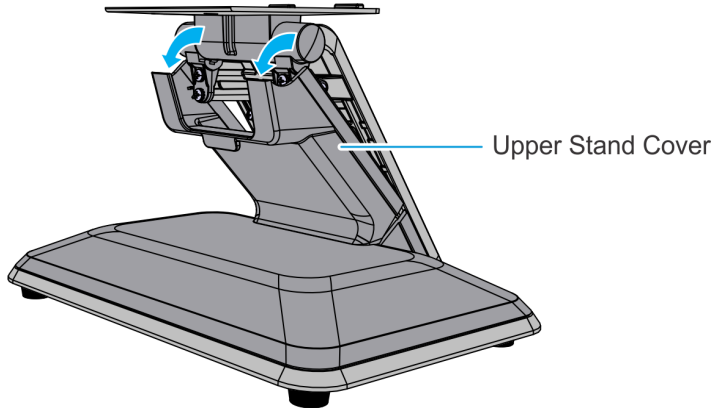
## Kit Contents



CCP-74972

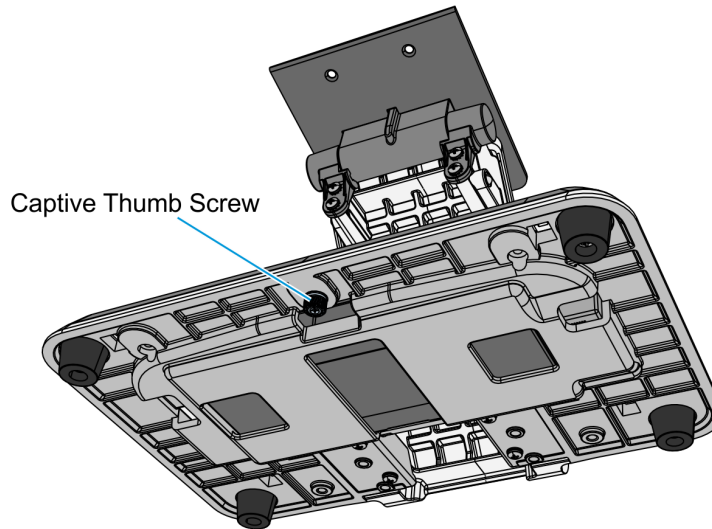
# Installation Procedure

1. Remove the Upper Stand Cover by pivoting it away from the Stand. The Cover has a simple snap fit connection at the top.



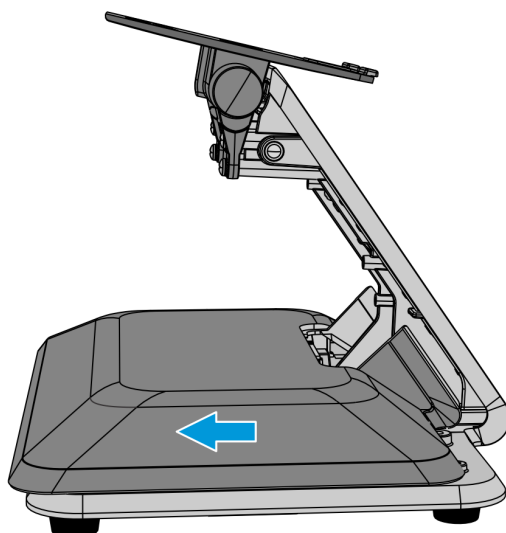
CCP-74973

2. Loosen the Captive Thumb Screw that secures the Base Cover.



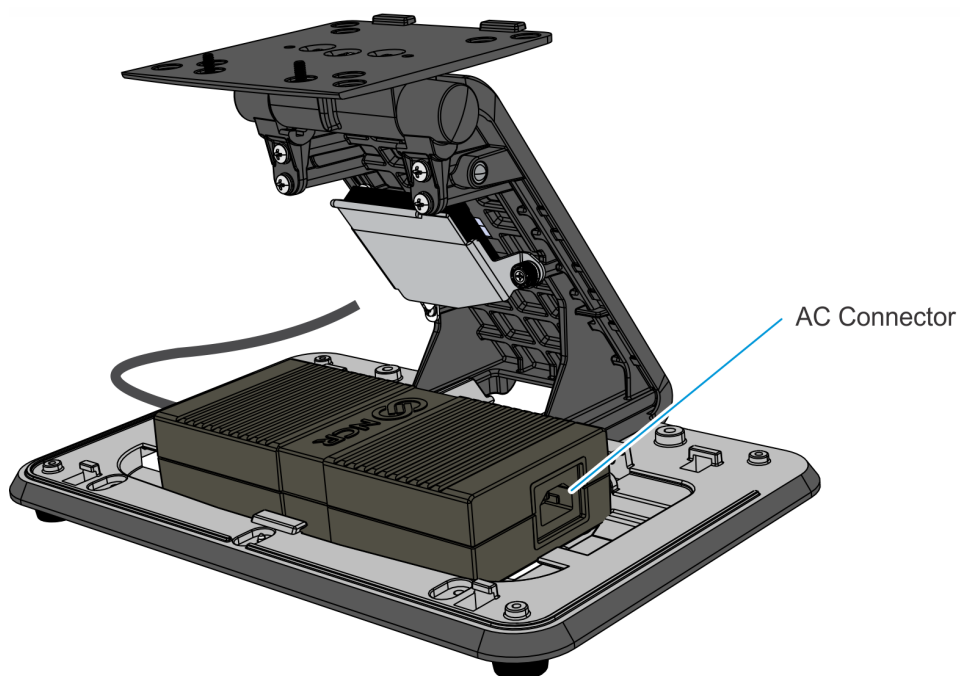
CCP-69098

3. Slide the Base Cover toward the front slightly to disengage it from the Base.



CCP-69099

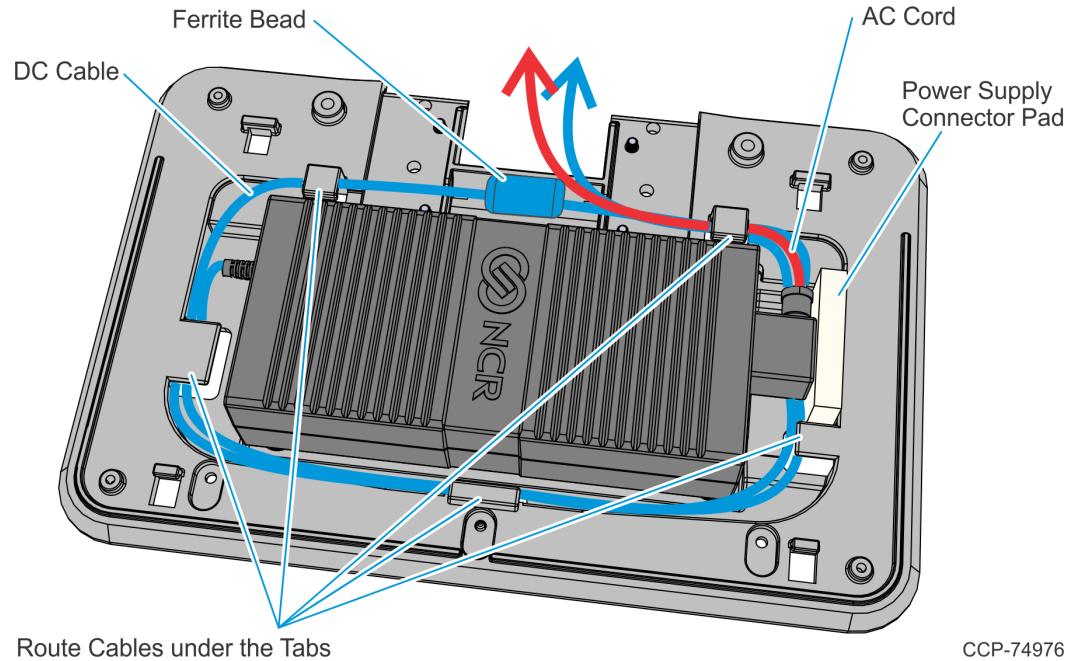
4. Install the Power Brick in the Base with the AC connector facing to the right.



33655

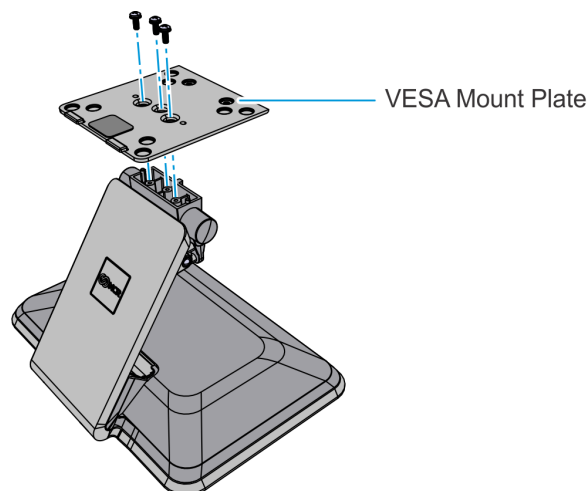
5. Route the Power Cables.

- a. Route the excess DC Cable (blue) clockwise around the Power Brick and under the tabs in the Base (two loops) and then out the rear of the Base. When the Cable is properly routed the Ferrite Bead is located as shown below.
- b. Install the AC Power Cord (red) in the Power Brick (over the top of the DC Cord) and route it out the rear of the Base.
- c. Place the Power Supply Connector Pad in the location shown.

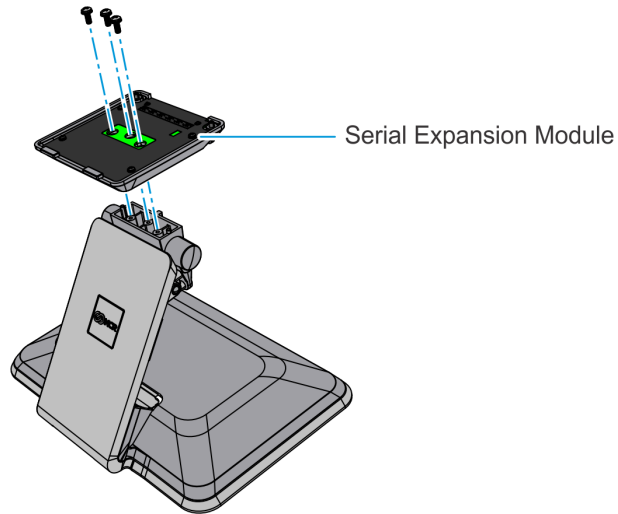


6. Reinstall the Base Cover.

7. For XR Series POS (7701/7702/7703) with a Serial Expansion Module (7701/7702/7703-F160/F161 or 7702-K160/K161), install the Serial Expansion on the Stand.
  - a. Remove the VESA Mount Plate from the Stand (3 screws). Discard the screws.



- b. Install the Serial Expansion Module on the Stand using the three (3) M4x12 screws (006-8622686) included in the kit.

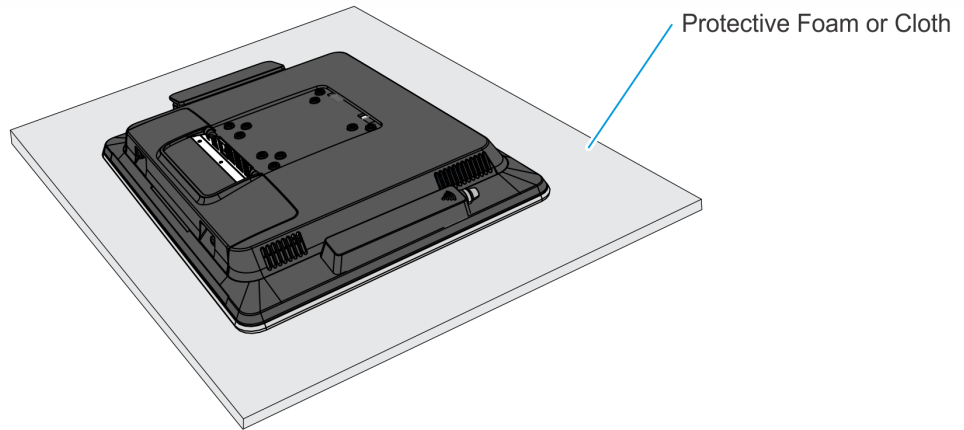


CCP-74975

- 8. Install the Stand.
  - a. Lay the terminal face down on a flat surface.

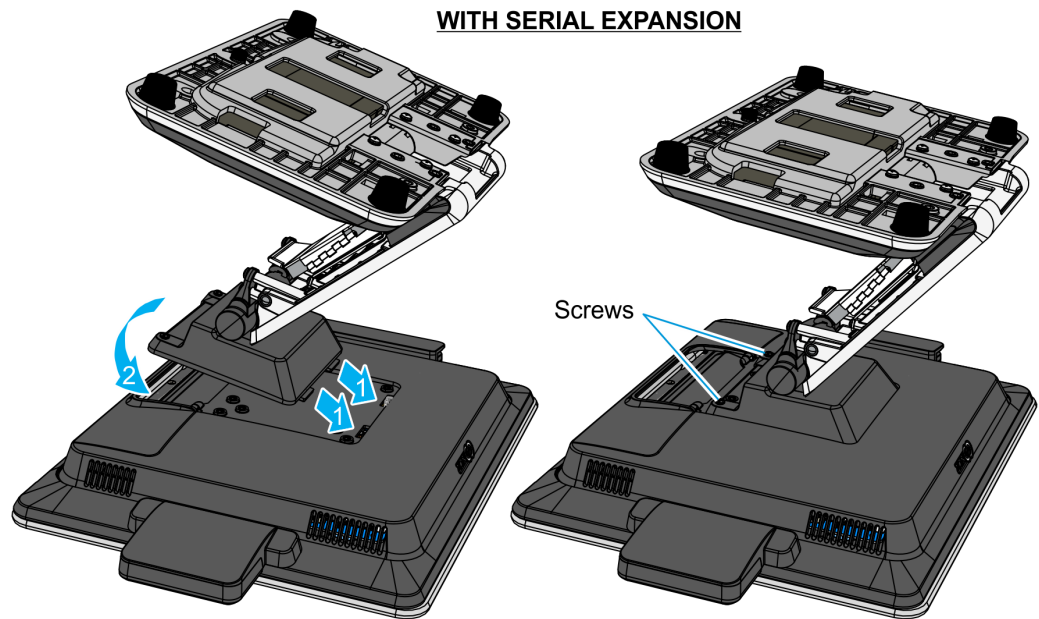
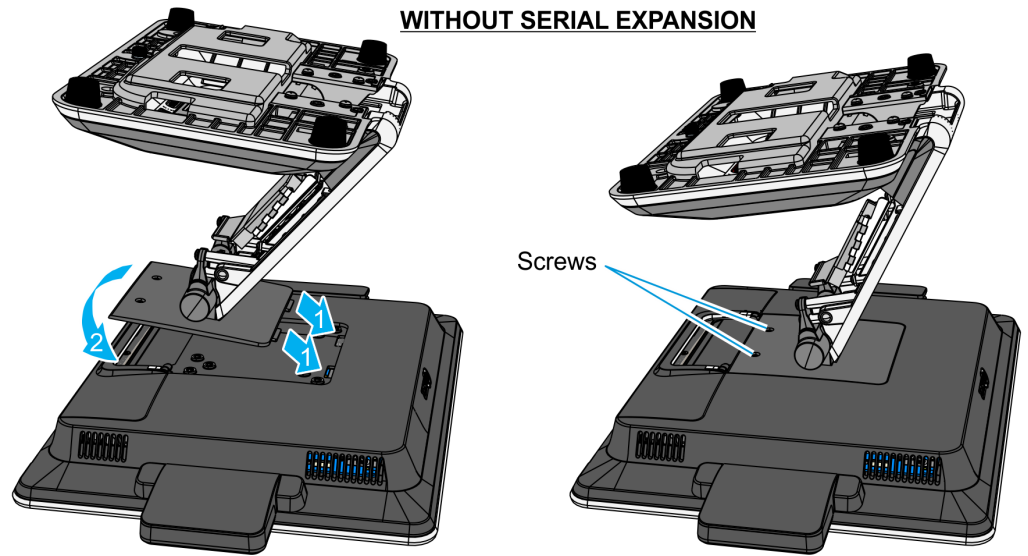


**Caution:** Always use a soft material (cloth, foam) to protect the display screen when placing the terminal face down.



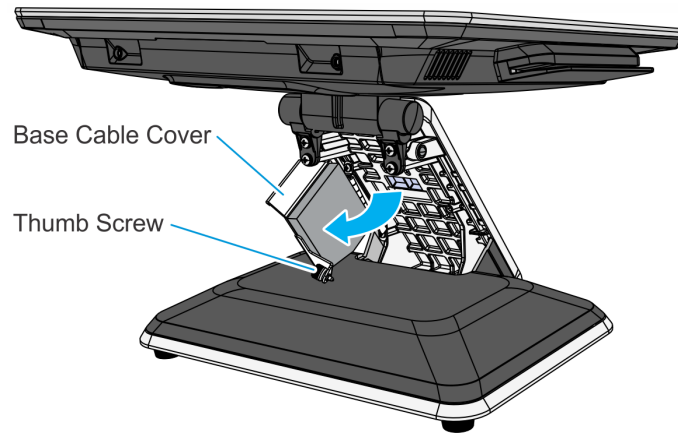
33306

- b. Insert the Mounting Plate Studs (2) into the openings in the Rear Cover at a slight angle as shown, then rotate the stand flush into the Rear Cover and secure it with the captive screws (2).



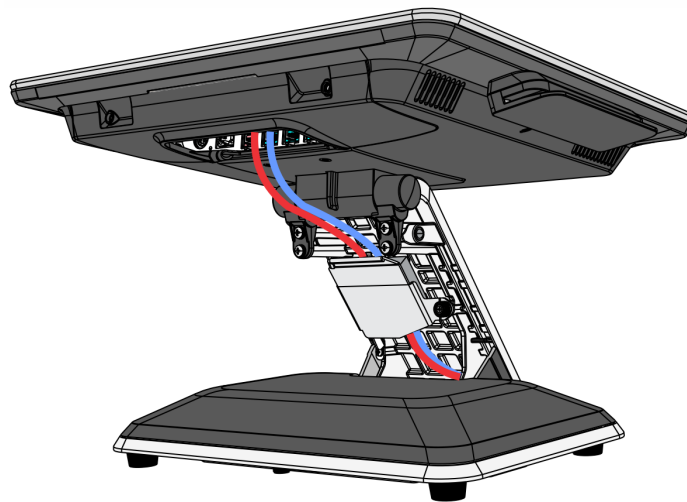


9. Route the Cables through the Stand.
  - a. Open the Base Cable Cover (captive thumb screw).



32813

- b. Route the Cables down through the opening in the Stand Base.



32814

10. Reinstall the Upper Stand Cover.

