

# KIT INSTRUCTIONS

## NCR P-Series Table Top POS Stand

7701-K032  
Issue A



---

The product described in this document is a licensed product of NCR Corporation.

NCR is a registered trademark of NCR Corporation. NCR RealPOS is a trademark of NCR Corporation in the United States and/or other countries. Other product names mentioned in this publication may be trademarks or registered trademarks of their respective companies and are hereby acknowledged.

The terms HDMI and HDMI High-Definition Multimedia Interface, and the HDMI Logo are trademarks or registered trademarks of HDMI Licensing LLC in the United States and other countries.

Where creation of derivative works, modifications or copies of this NCR copyrighted documentation is permitted under the terms and conditions of an agreement you have with NCR, NCR's copyright notice must be included.

It is the policy of NCR Corporation (NCR) to improve products as new technology, components, software, and firmware become available. NCR, therefore, reserves the right to change specifications without prior notice.

All features, functions, and operations described herein may not be marketed by NCR in all parts of the world. In some instances, photographs are of equipment prototypes. Therefore, before using this document, consult with your NCR representative or NCR office for information that is applicable and current.

To maintain the quality of our publications, we need your comments on the accuracy, clarity, organization, and value of this book. Please use the link below to send your comments.

*Email:* [FD230036@ncr.com](mailto:FD230036@ncr.com)

Copyright © 2016  
By NCR Corporation  
Duluth, GA U.S.A.  
All Rights Reserved



## Revision Record

Issue	Date	Remarks
A	Aug 2016	First Issue



# P-Series POS Stand

This kit provides a table-top stand for the NCR RealPOS XR5.



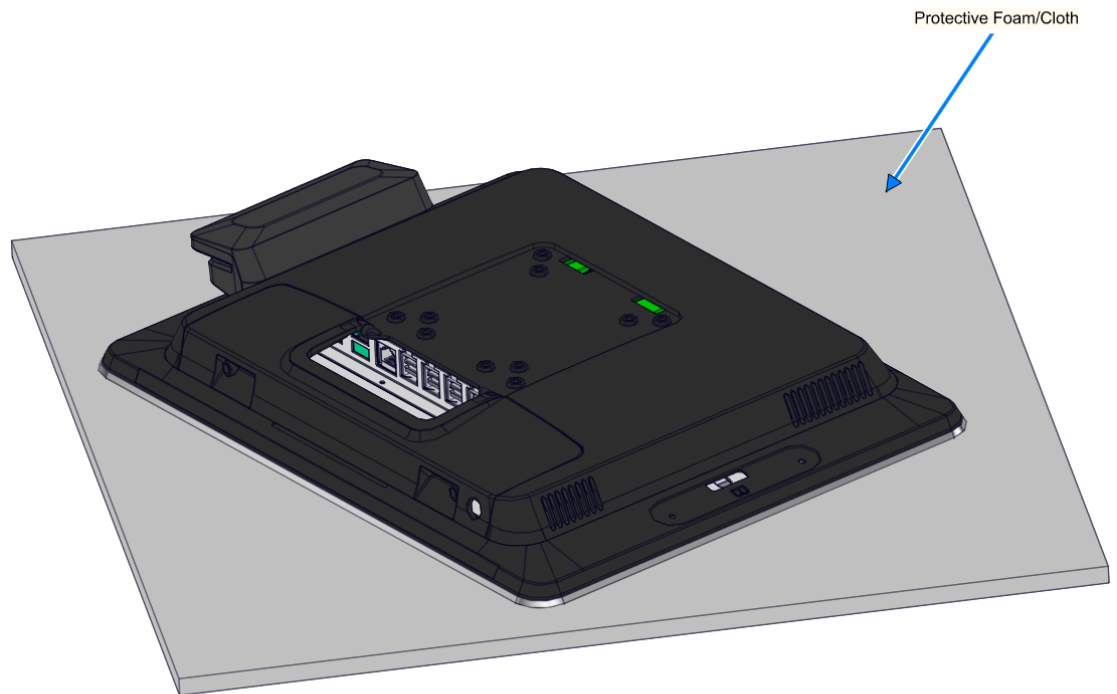
ATL-34157

## Installation Procedures

1. Lay the terminal face down on a flat surface.

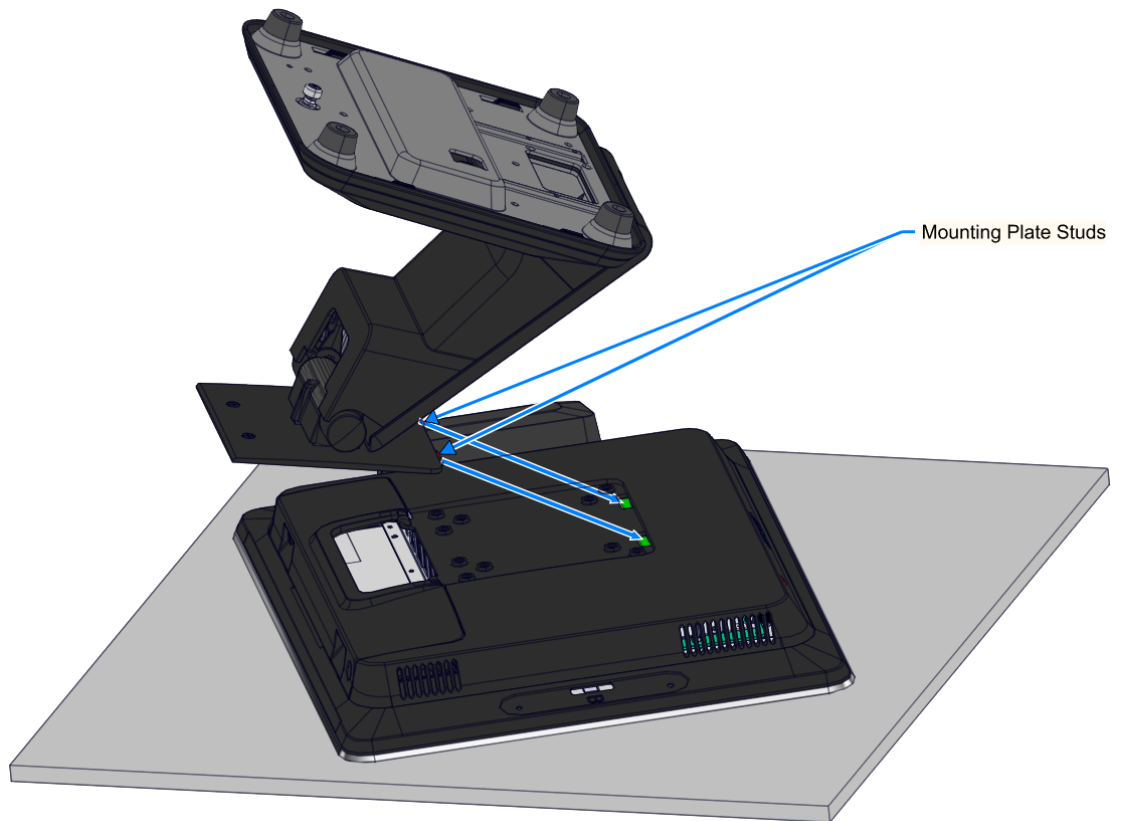


**Caution:** Always use a soft material (cloth, foam) to protect the display screen when placing the terminal face down.

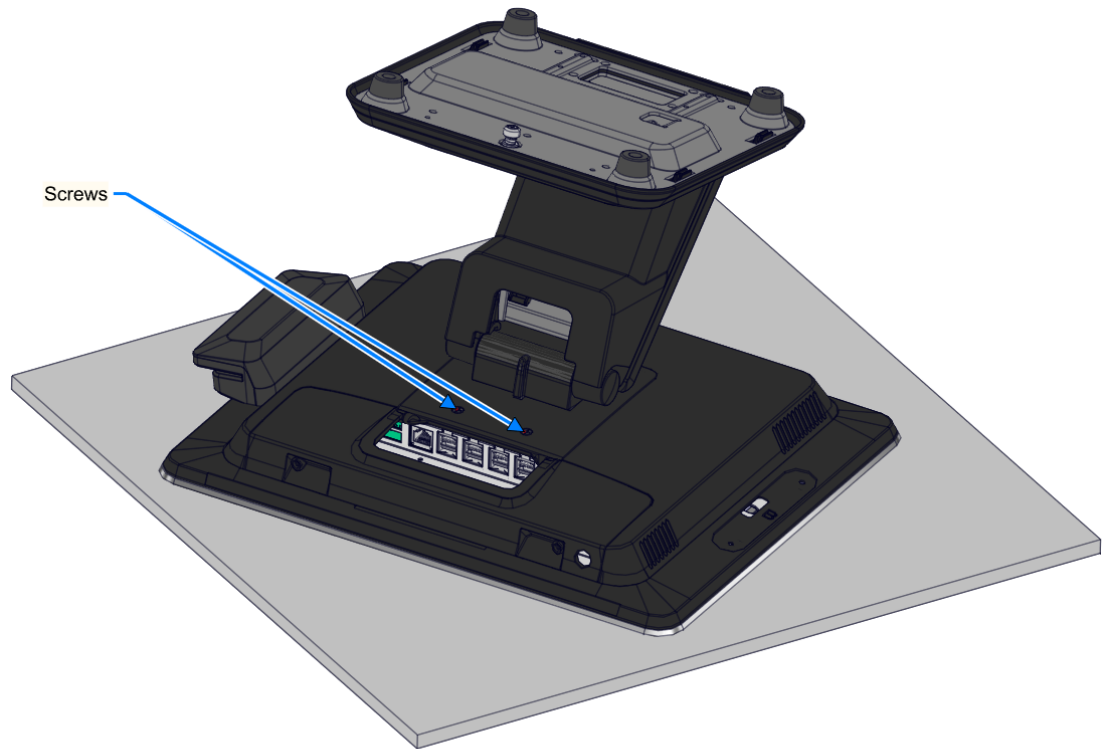




2. Insert the Mounting Plate Studs (2) into the openings in the Rear Cover at a slight angle as shown.



3. Rotate the stand flush into the Rear Cover and secure it with the provided screws (2).



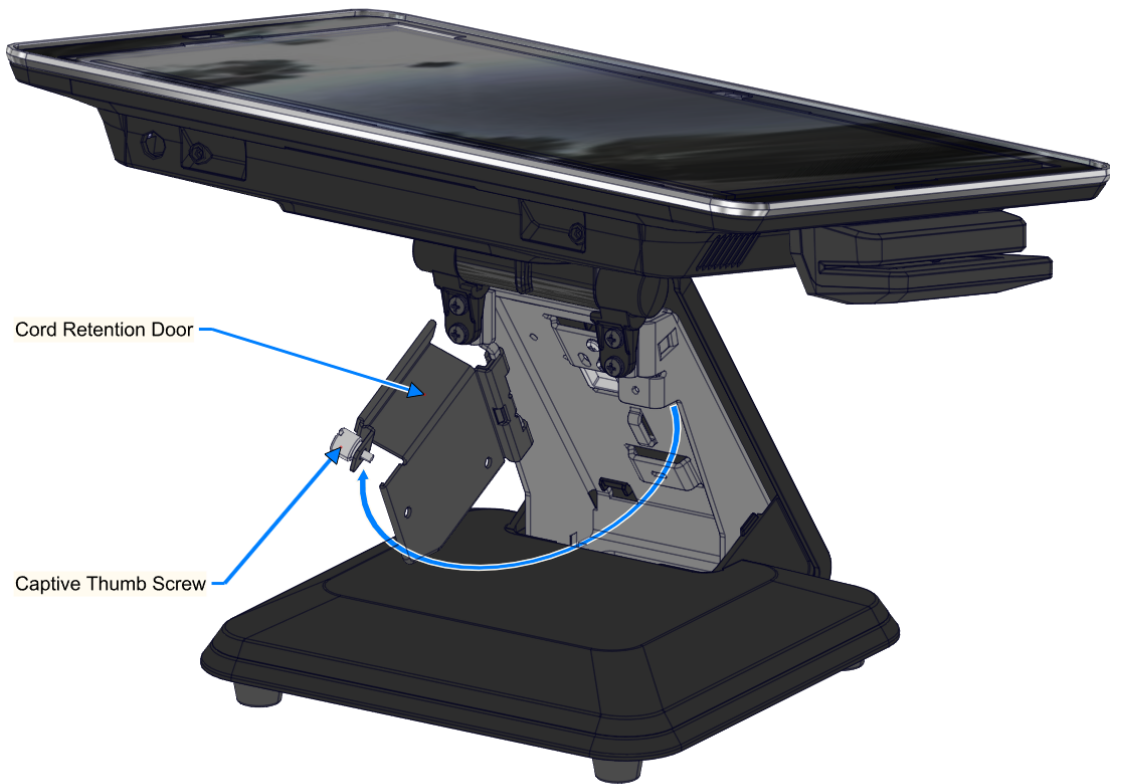
## Cord Routing

Cords are routed out the opening in the POS I/O Port Bay and down through the POS Stand.

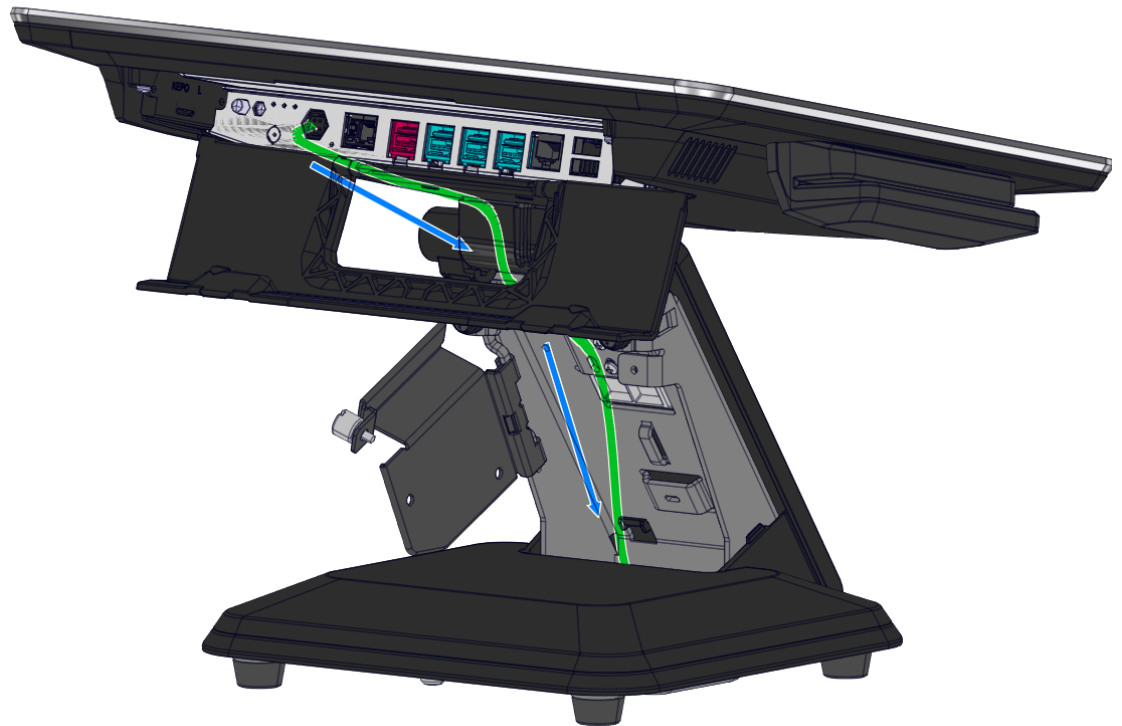
1. Remove the Upper Stand Cover by pivoting it away from the stand. The cover has a simple snap fit connection at the top.



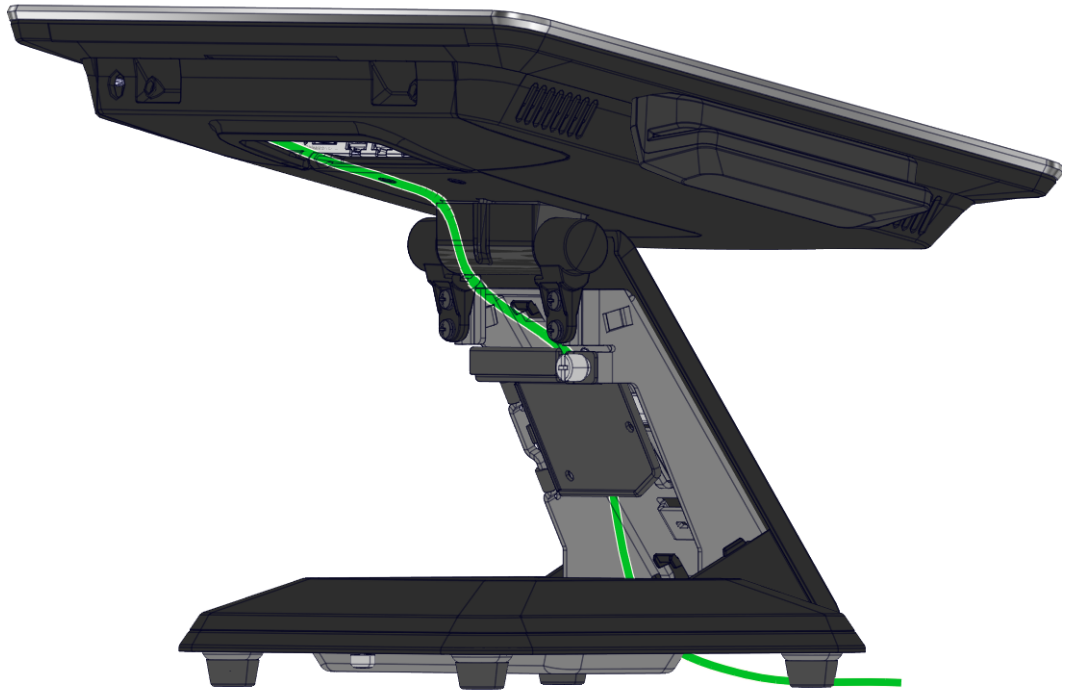
2. Open the Cord Retention Door (captive thumb screw).



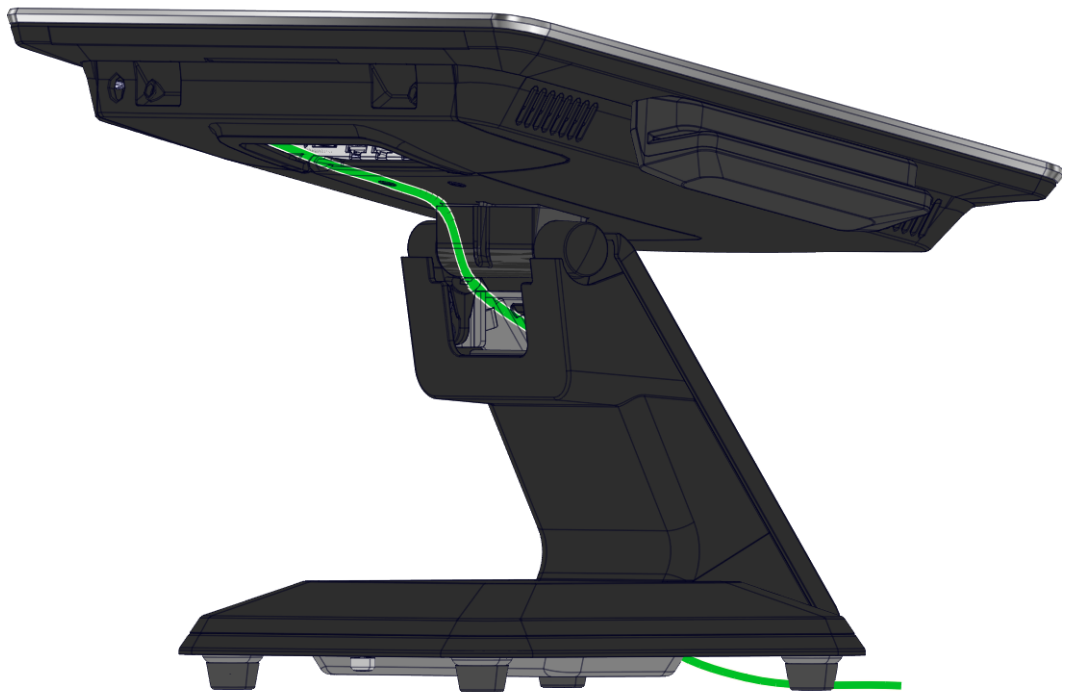
3. Route the cables down through the opening in the POS Stand Base.



4. Close the Cord Retention Door and replace the Upper Stand Cover.



ATL-34155



ATL-34158