

7403-K454

Rear Consumer LCD Hinge Assembly – Large Displays

Kit Instructions



Issue D

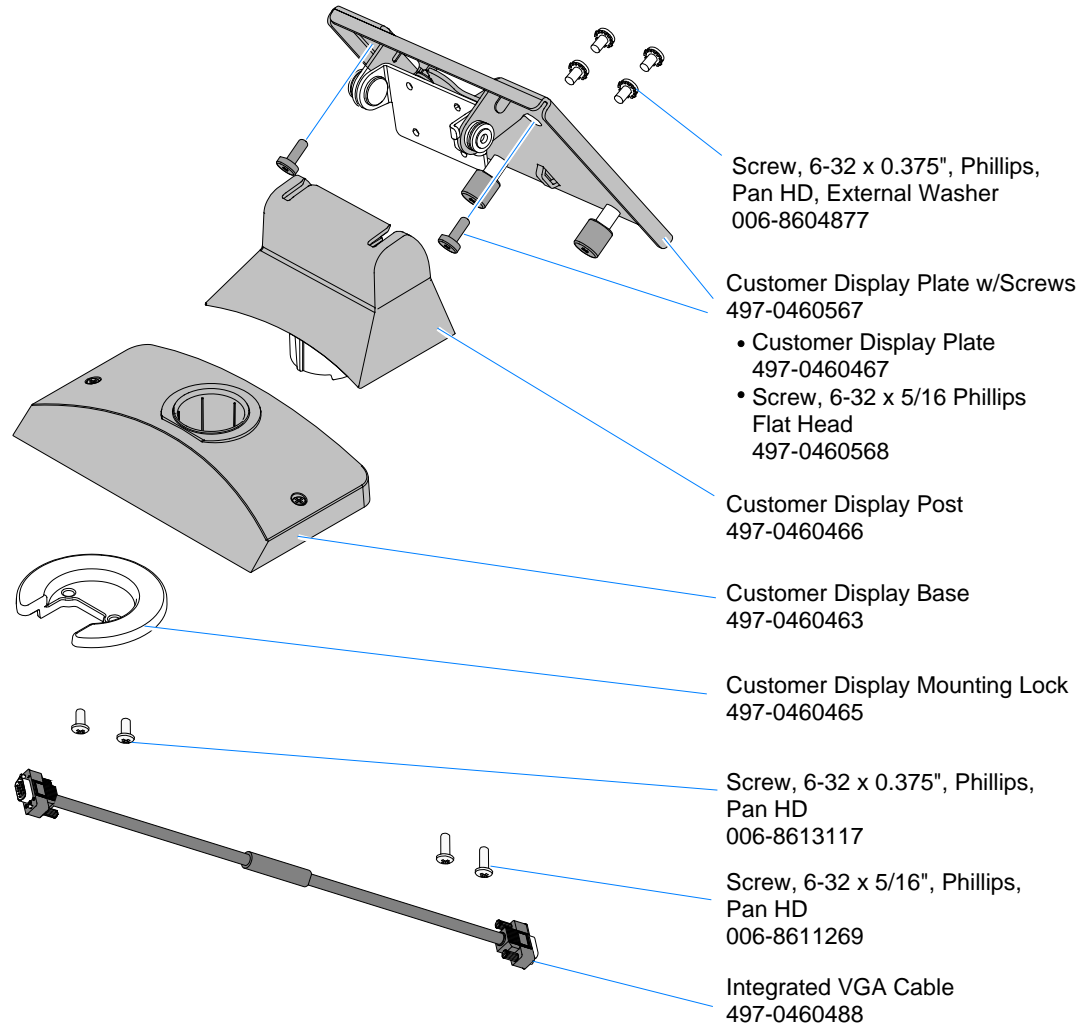
Revision Record

Issue	Date	Remarks
A	Nov 2008	First issue
B	June 2009	Removed Power Cable from the kit contents
C	May 2012	Added VESA pattern dimensions
D	June 2013	Updated with new display models

Introduction

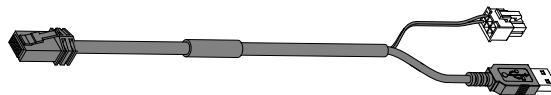
This kit provides a mount for integrating the following displays on an NCR 7403 terminal.

- NCR 5943 12.1/15" LCD
- NCR 5967 12.1/15" Touch LCD
- NCR 5964 15" Touch LCD
- NCR 5965 15" Touch LCD



26271e

Note: The required power cables for the displays are ordered separately.

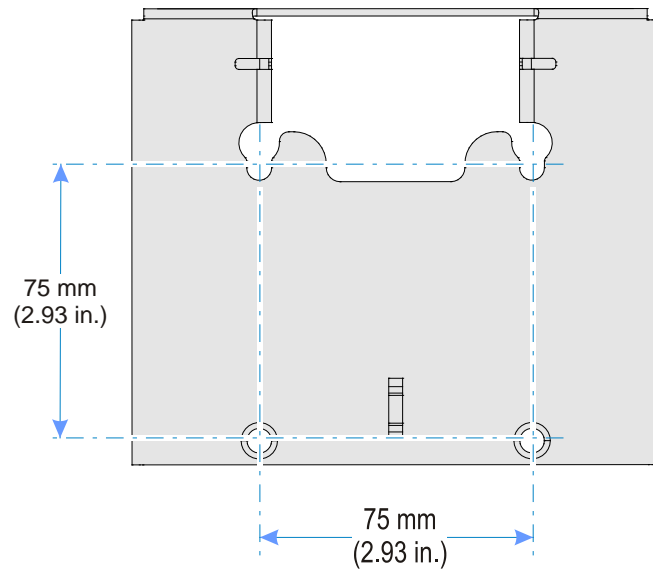


Powered USB 12V Cable
497-0465142
(1432-C340-0006)

26344b

VESA Mount

The Customer Display Plate has a standard VESA hole pattern to accommodate non-NCR displays that have VESA patterns.



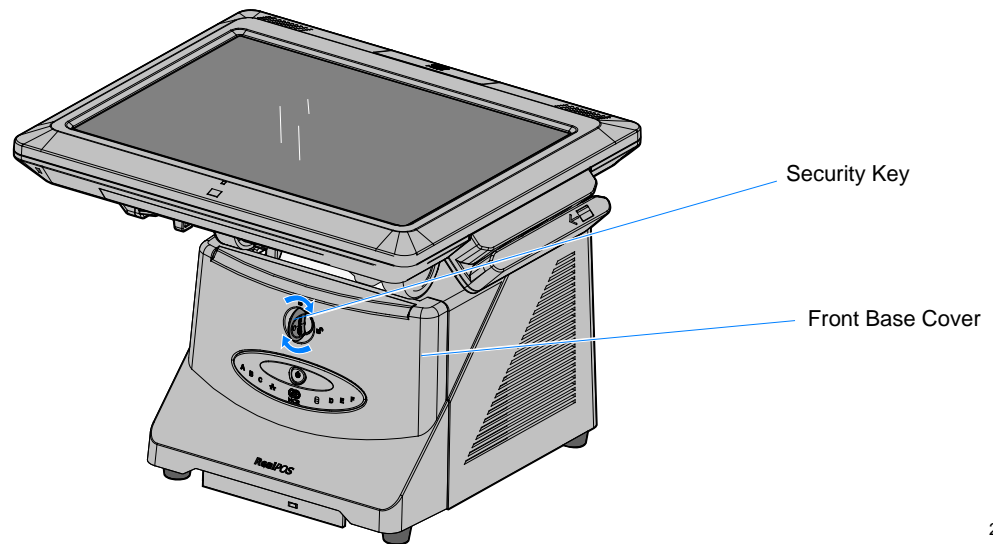
Installation Procedures

Caution: Static Electricity Discharge may permanently damage your system. Discharge any static electricity build up in your body by touching your computer's case for a few seconds. Avoid any contact with internal parts and handle cards only by their external edges.

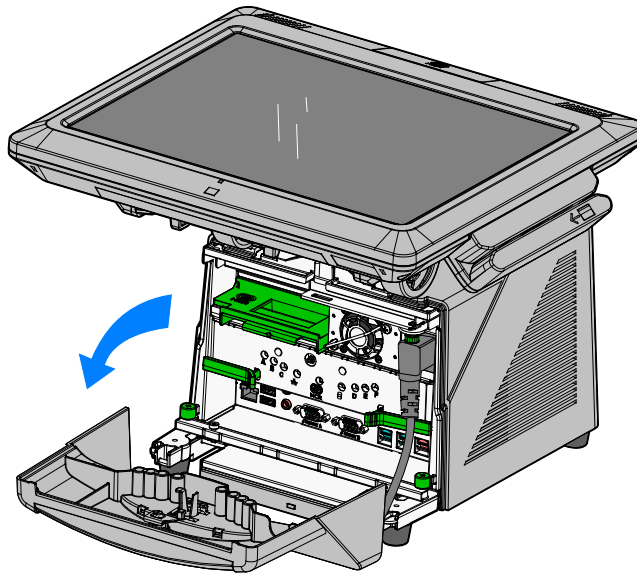
1. Disconnect power to the terminal.

Caution: Disconnect the AC power cord before disassembling the terminal. The ON/OFF switch does **NOT** remove power to the unit.

- a. Remove the Front Cover.
- b. Insert the Security Key and turn it 90 degrees clockwise.

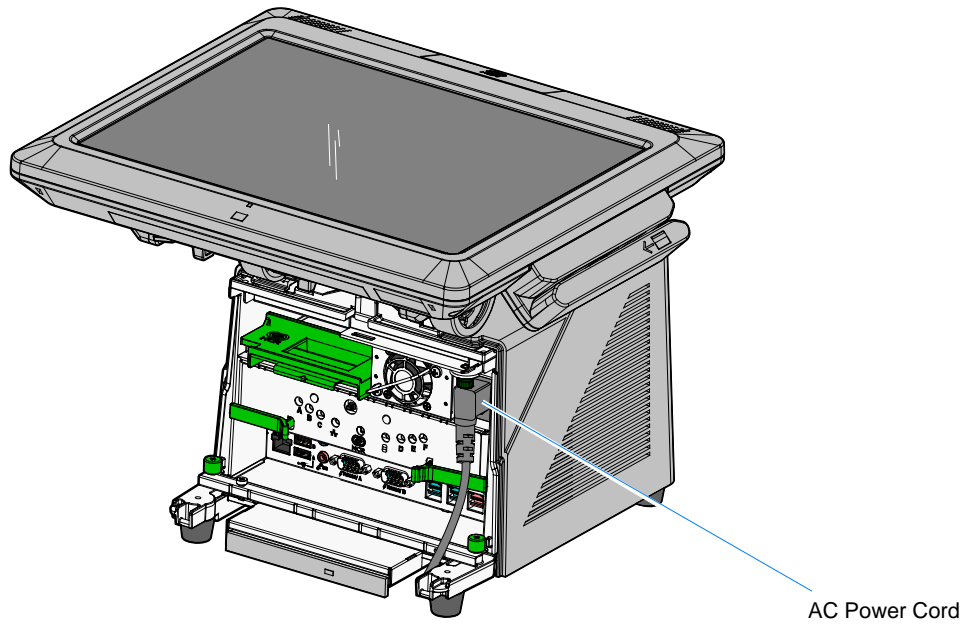


- c. Pivot the top of the Front Base Cover toward the front of the unit and remove it from the terminal.



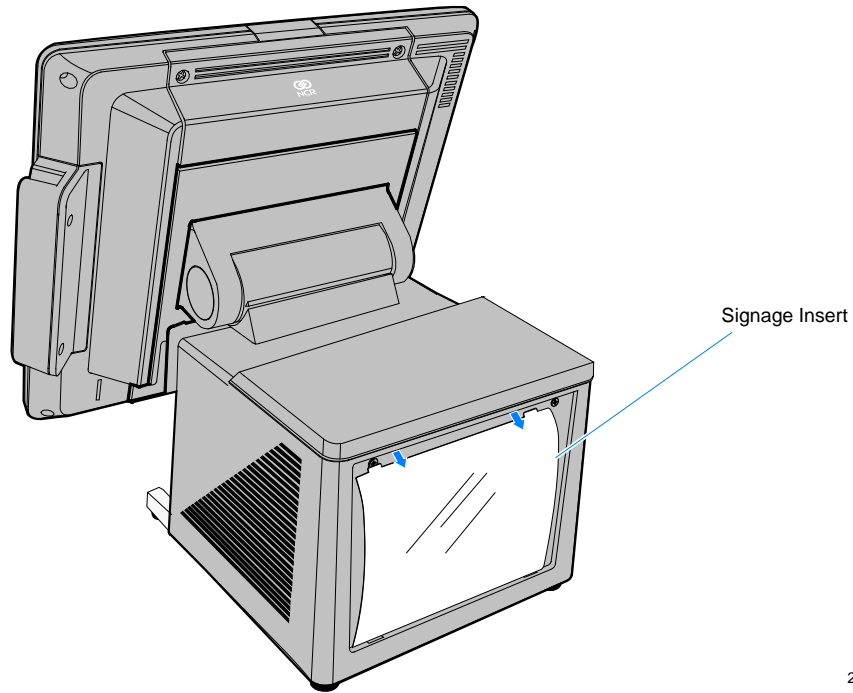
26032

- d. Disconnect the Power Cord from the Power Supply.



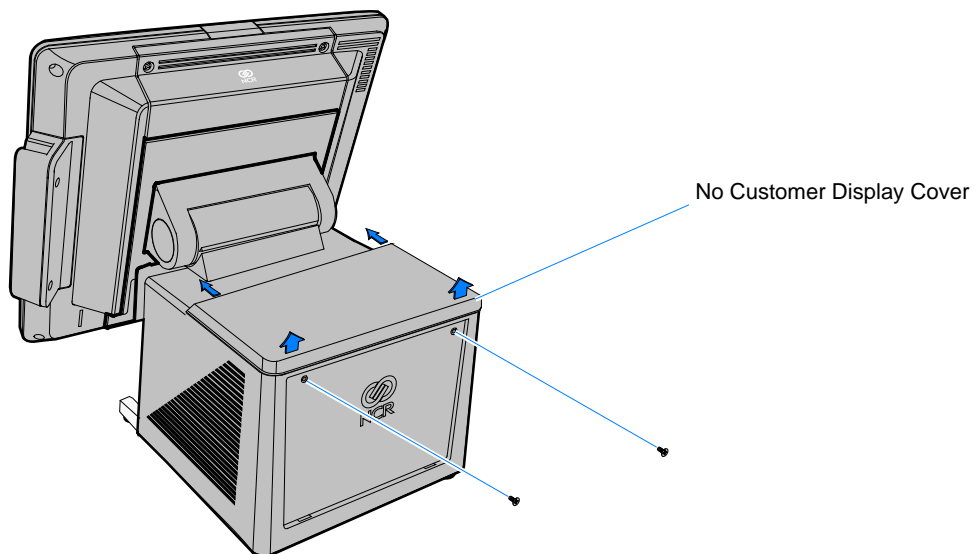
26135

2. If present, remove the Signage Insert (and Signage) from the back of the 7403. The insert has two extensions on the top and bottom that are inserted in matching slots on the cabinet. It is very flexible so you can remove it off using your fingernail or a sharp object.

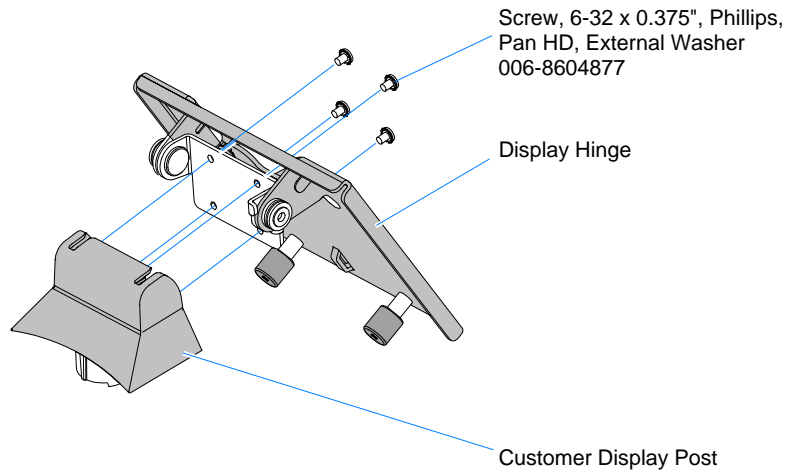


3. Remove the No Customer Display Cover. This cover is secured with two screws in the rear of the cover and two molded hooks on the front of it. After removing the screws lift the rear of the cover up slightly and then slide it toward the front of the terminal to remove it from the terminal chassis.

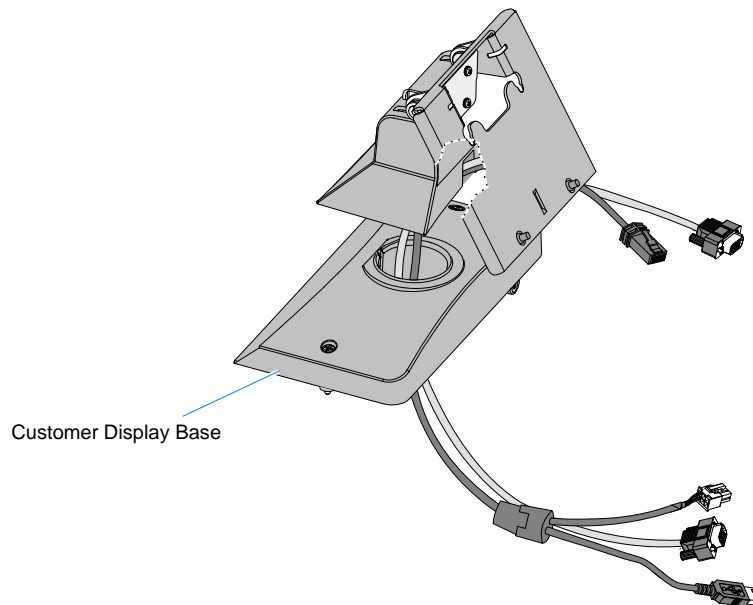
Note: Do not discard these screws. They are use later to secure the Customer Display Assembly. There are two spare screws provided in the kit if these are misplaced.



4. Assemble the Display Hinge and Customer Display Post (4 Screws).

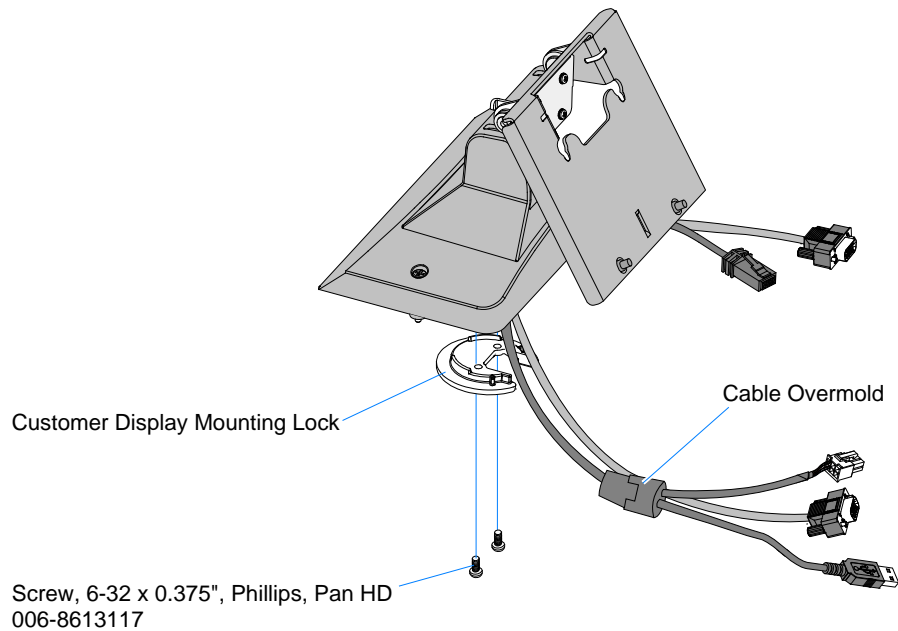


5. Route the display cables through the mounting components as shown below. This varies depending on which customer display you are using. Use the chart below to determine which cables are required for each Customer Display.



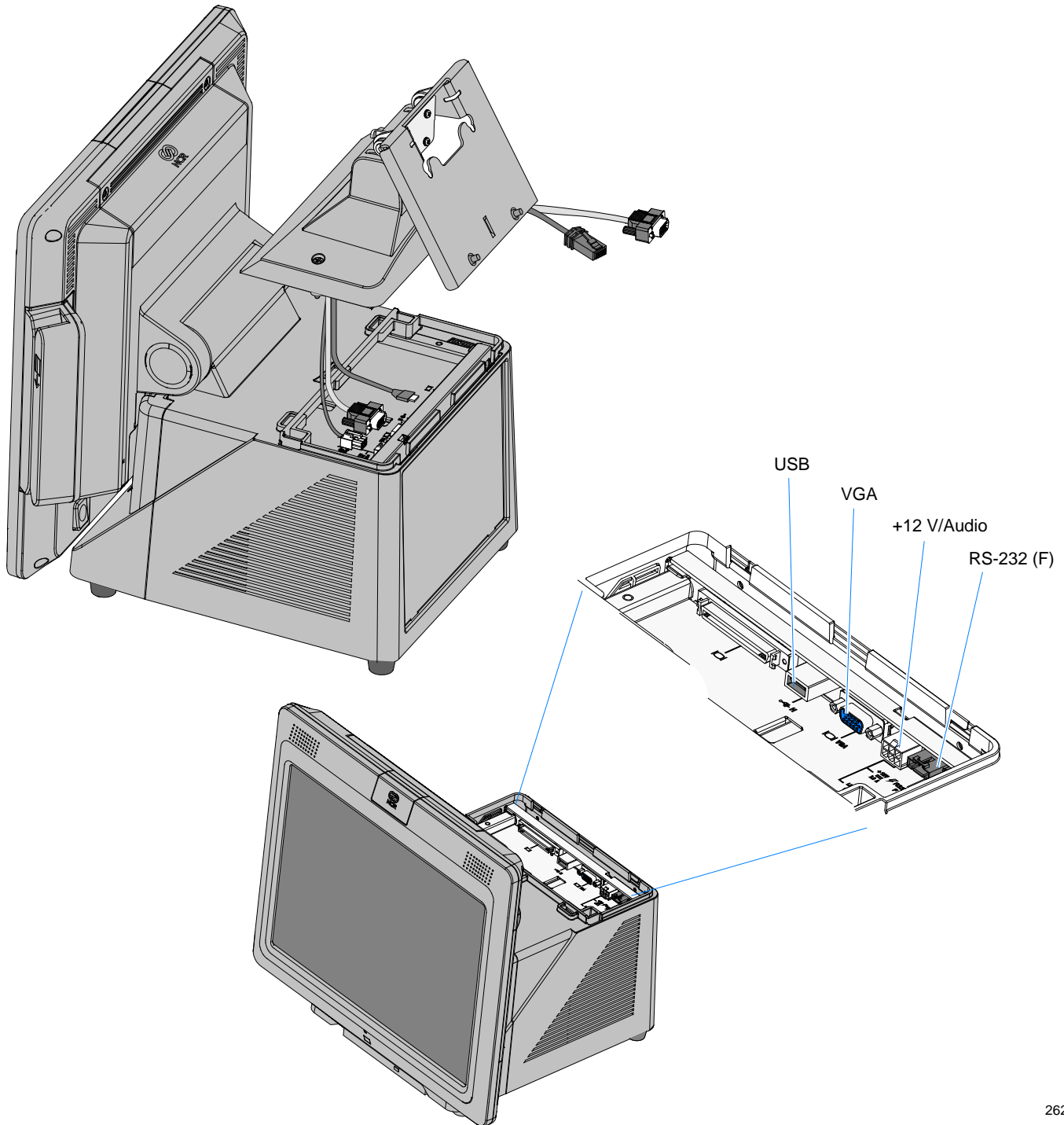
6. Insert the Customer Display Hinge/Post assembly into the Customer Display Base and secure it with the Customer Display Mounting Lock (2 screws).

Note: Make sure the cable overmold is located below the Customer Display Mounting Lock as shown below. Otherwise, the cables will not be long enough to connect to the terminal.

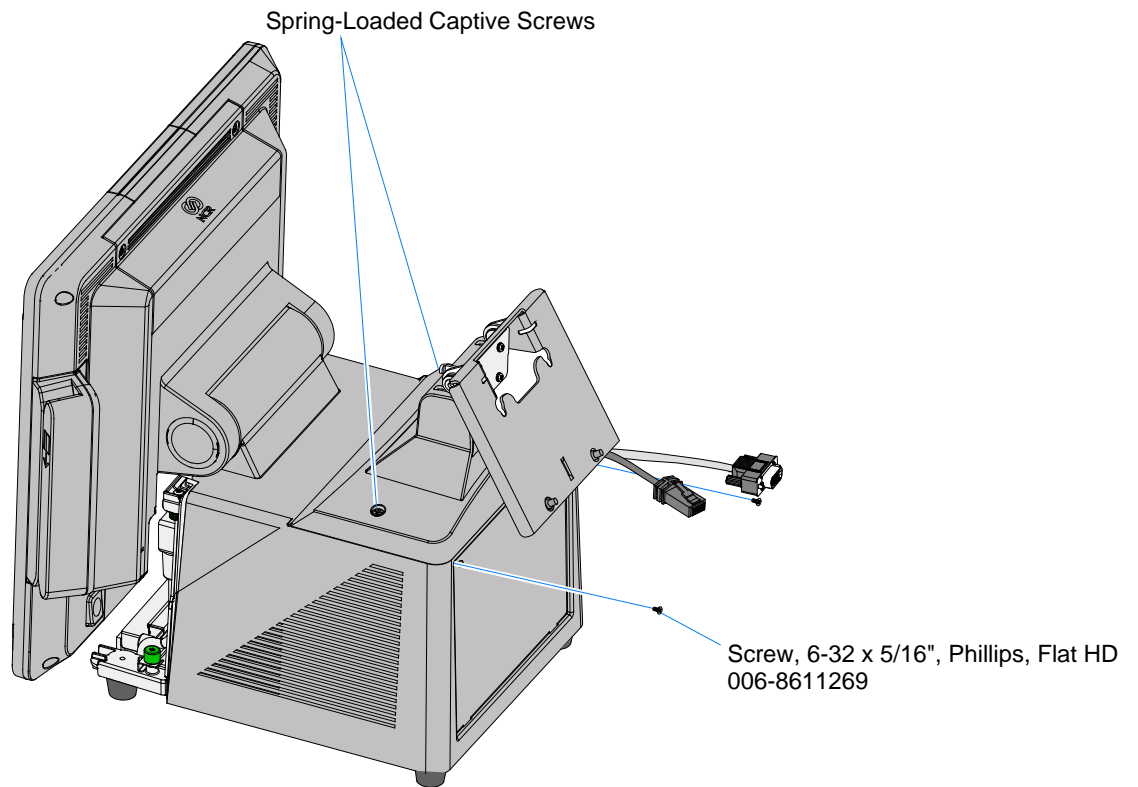


26287a

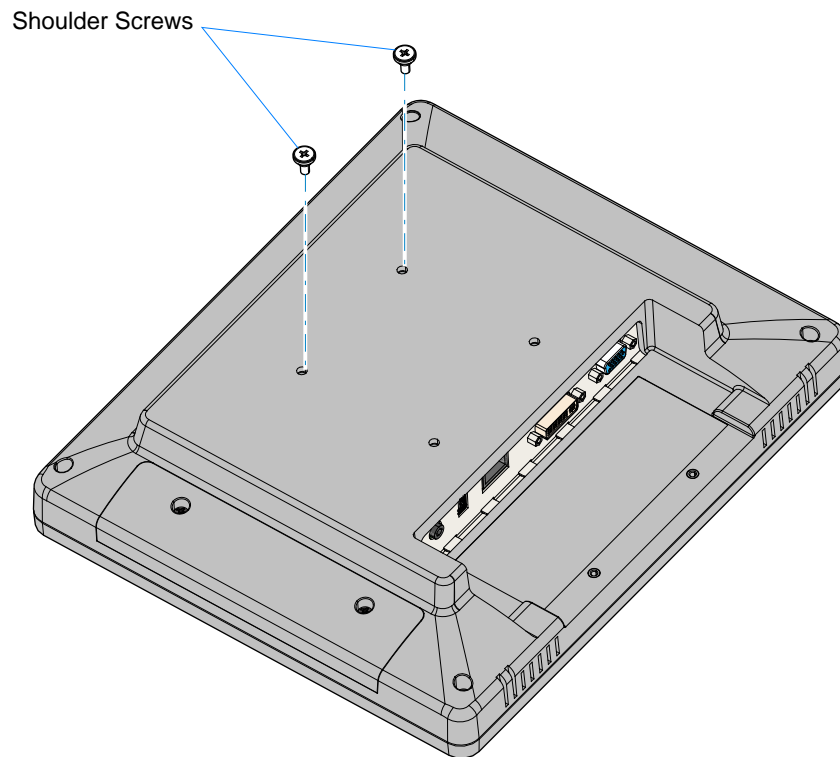
7. Connect the display cables to the 7403 Backplane Board.
 - Connect the VGA Cable to the VGA connector.
 - Connect the Powered USB Y-Cable to the USB and +12V connectors.



8. Install the mounting assembly onto the 7403. Secure it with the Base Rear Cover Screws (2) and the Spring-Loaded Captive Screws (2) in the Customer Display Mounting Base.

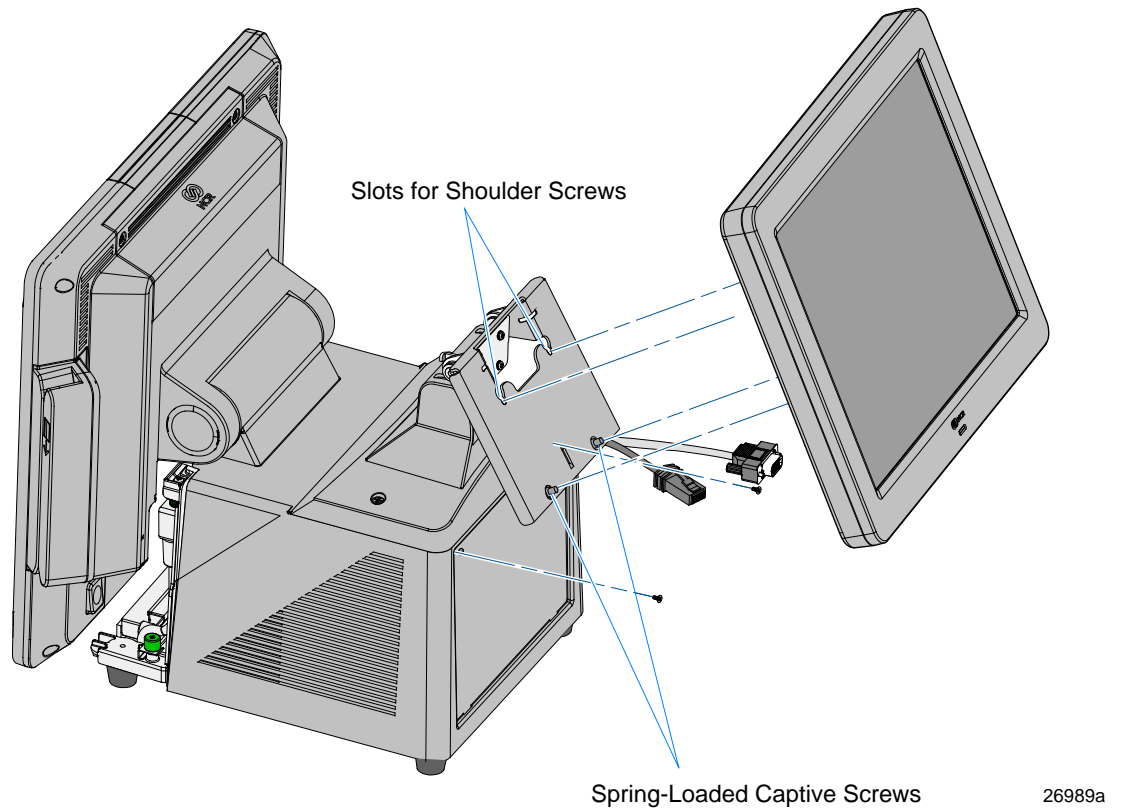


9. Install the two shoulder screws in the back of the display.



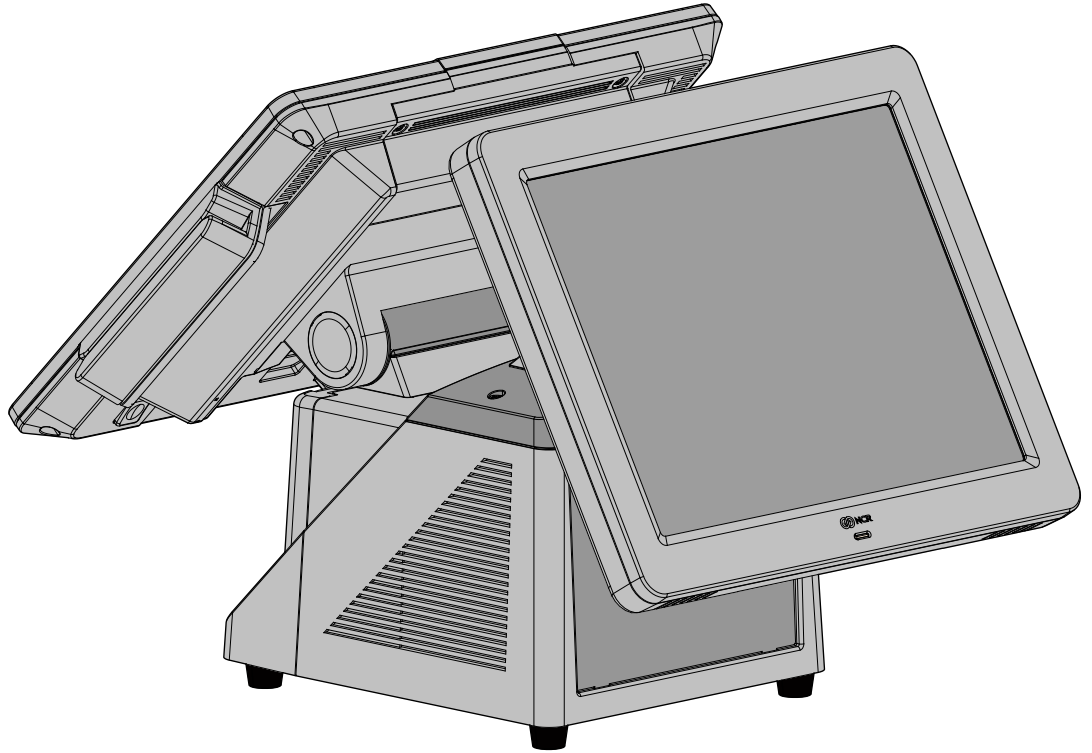
26289

10. Install the Customer Display on the 7403.
 - a. Insert the heads of the two shoulder screws on the back of the display into the two slots on the Customer Display Mounting Plate.
 - b. Secure the display with the two thumbscrews.



11. Connect the display cables to the Customer Display. Secure the cables to the Mounting Plate with a tie wrap.

12. Re-connect the Power Cord to the terminal and install the Front Cover.



32025

13. Re-install the Information Sheet and Signage Insert in the Base Rear Cover (if applicable).