

7403-K453

Rear Consumer LCD Hinge Assembly – Small Displays

Kit Instructions



Issue B

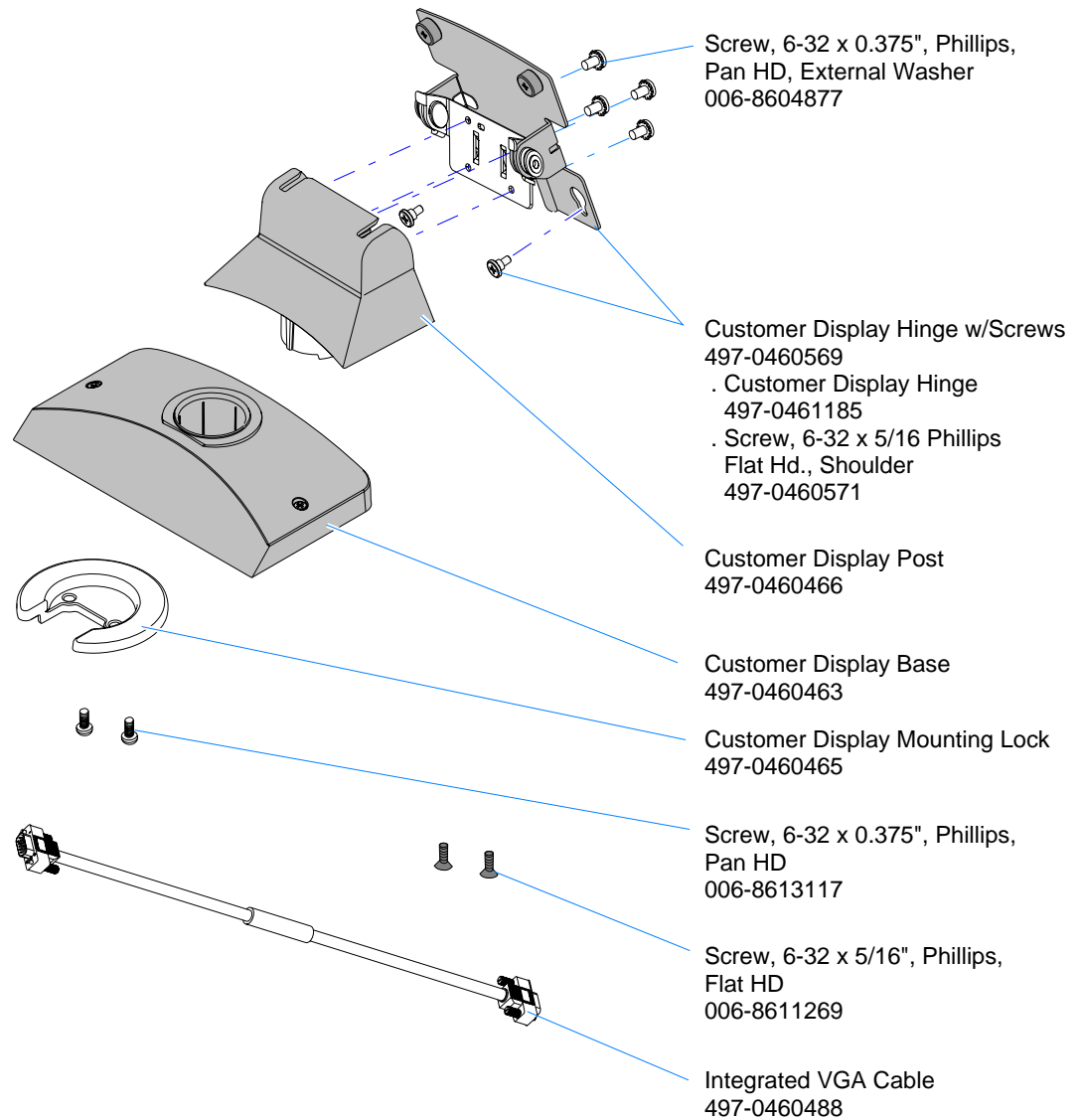
Revision Record

Issue	Date	Remarks
A	Feb 2009	First issue
B	June 2009	Removed Power Cable from the kit contents

Introduction

This kit provides a display mount for integrating small LCD customer displays on an NCR 7403 terminal.

Kit Contents



26981

Note: A power cable is also required to supply power to the display (ordered separately).



12V DC Power Cable
497-0465141
(1432-C339-0004)

26981b

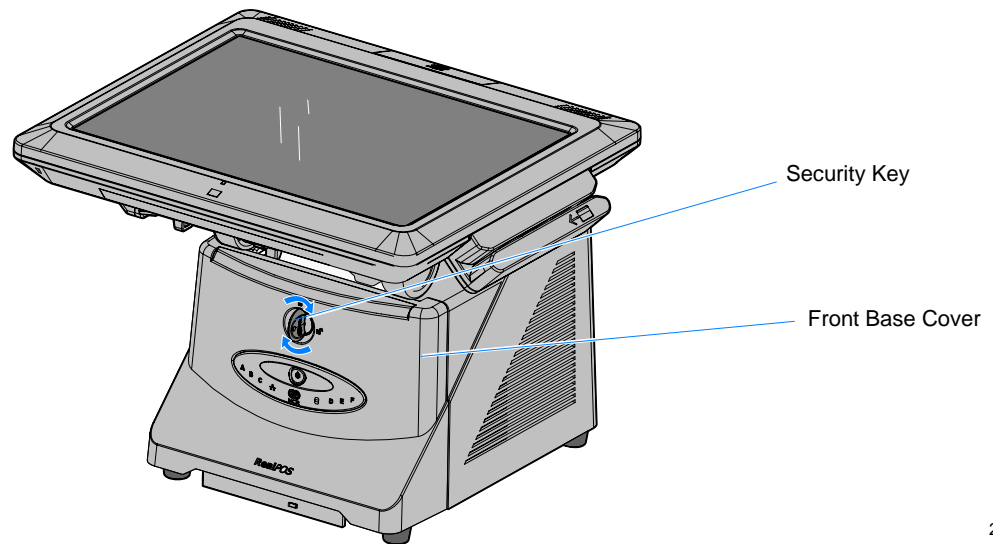
Installation Procedures

Caution: Static Electricity Discharge may permanently damage your system. Discharge any static electricity build up in your body by touching your computer's case for a few seconds. Avoid any contact with internal parts and handle cards only by their external edges.

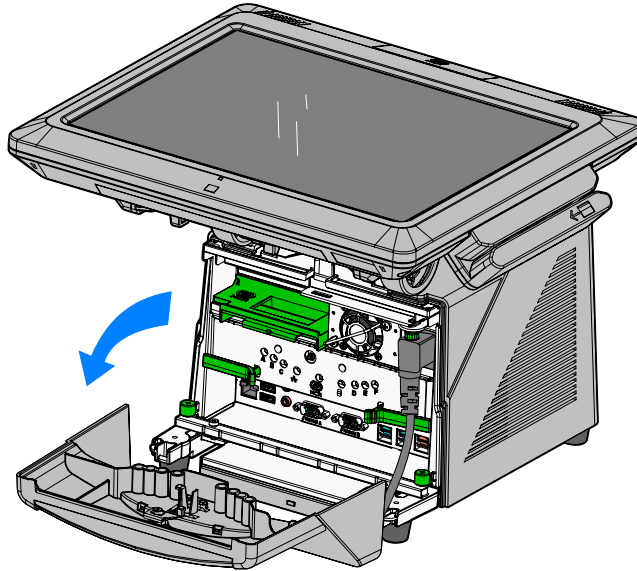
1. Disconnect power to the terminal.

Caution: Disconnect the AC power cord before disassembling the terminal. The ON/OFF switch does **NOT** remove power to the unit.

- a. Remove the Front Cover.
- b. Insert the Security Key and turn it 90 degrees clockwise.

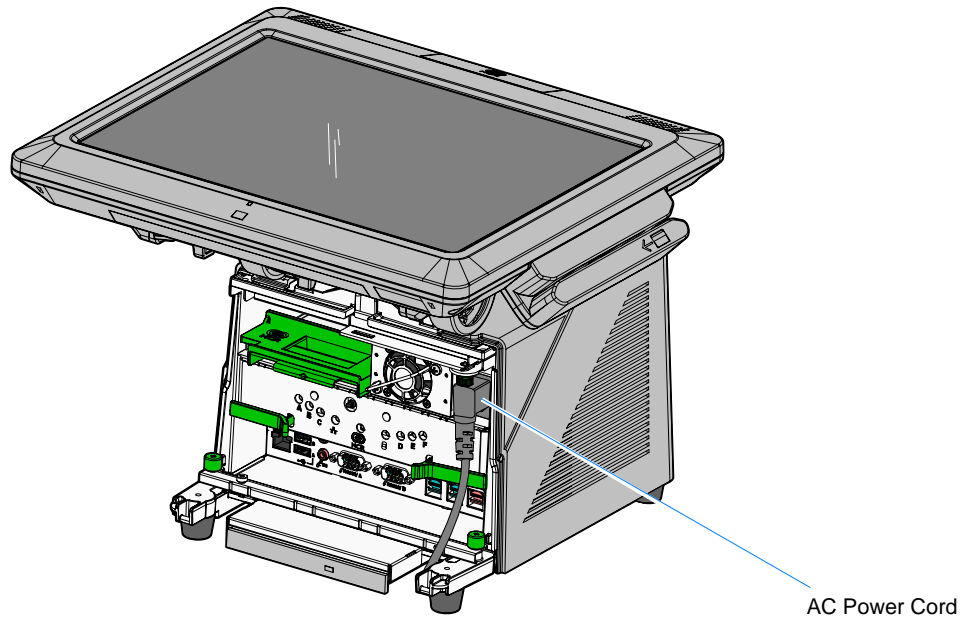


- c. Pivot the top of the Front Base Cover toward the front of the unit and remove it from the terminal.



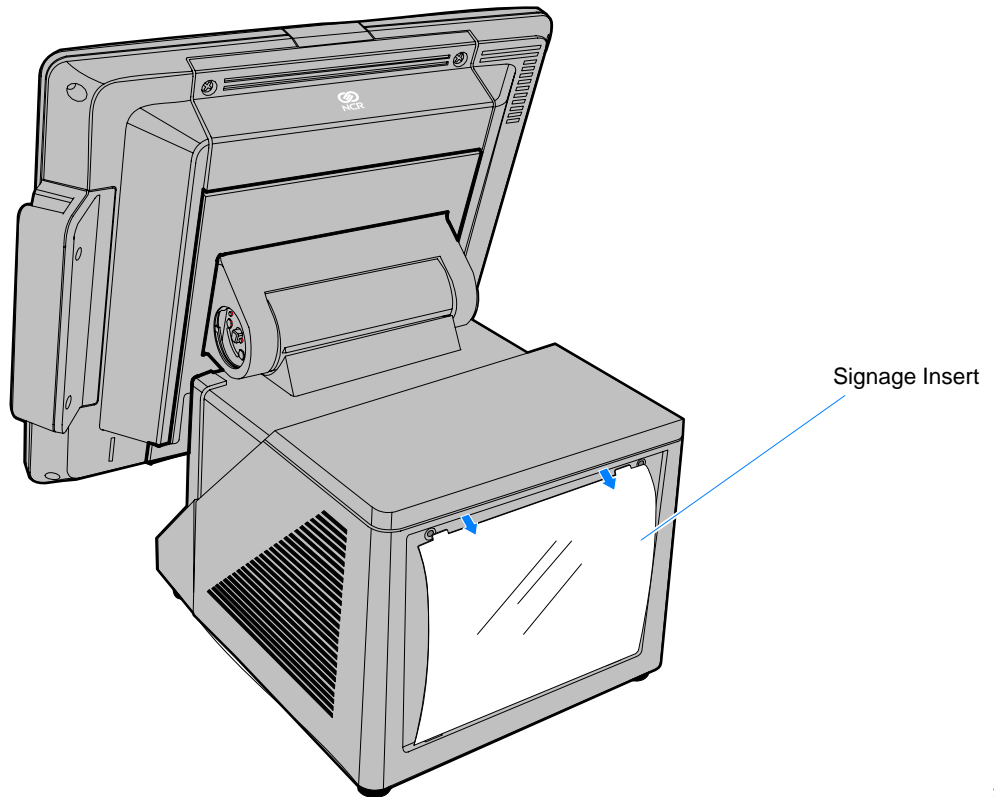
26032

- d. Disconnect the Power Cord from the Power Supply.



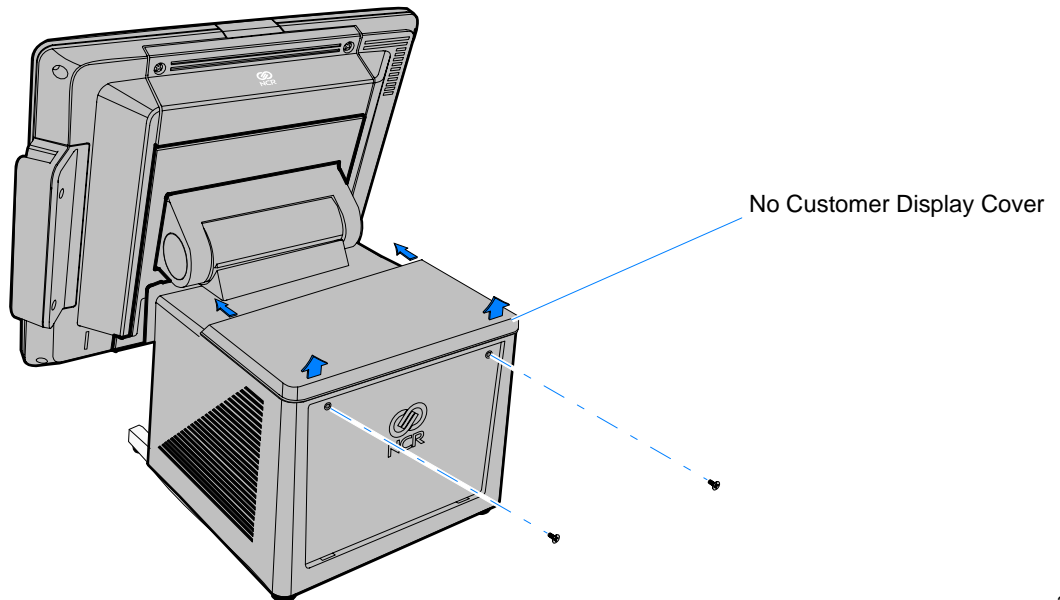
26135

2. If present, remove the Signage Insert (and Signage) from the back of the 7403. The insert has two extensions on the top and bottom that are inserted in matching slots on the cabinet. It is very flexible so you can remove it off using your fingernail or a sharp object.

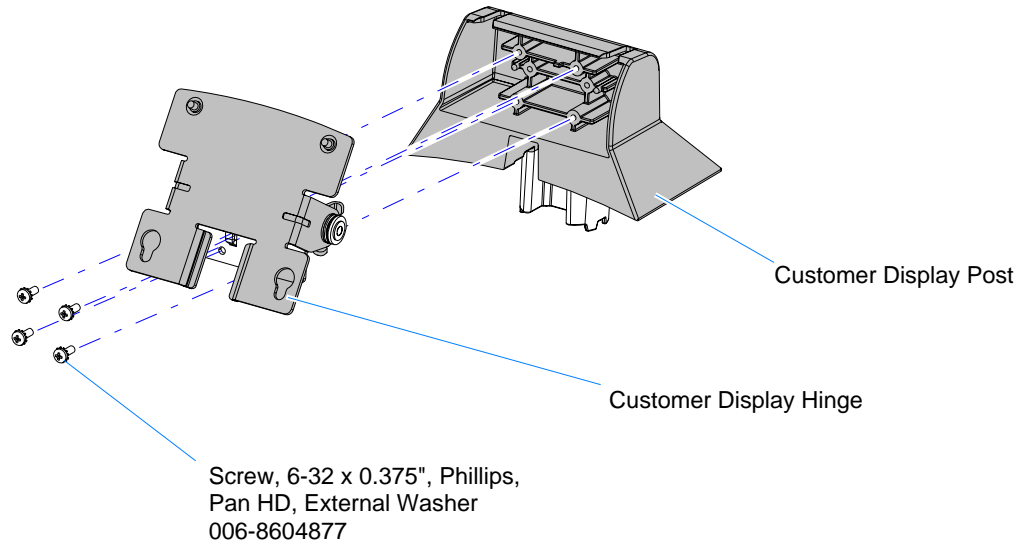


3. Remove the No Customer Display Cover. This cover is secured with two screws in the rear of the cover and two molded hooks on the front of it. After removing the screws lift the rear of the cover up slightly and then slide it toward the front of the terminal to remove it from the terminal chassis.

Note: Do not discard these screws. They are use later to secure the Customer Display Assembly. There are two spare screws provided in the kit if these get misplaced.

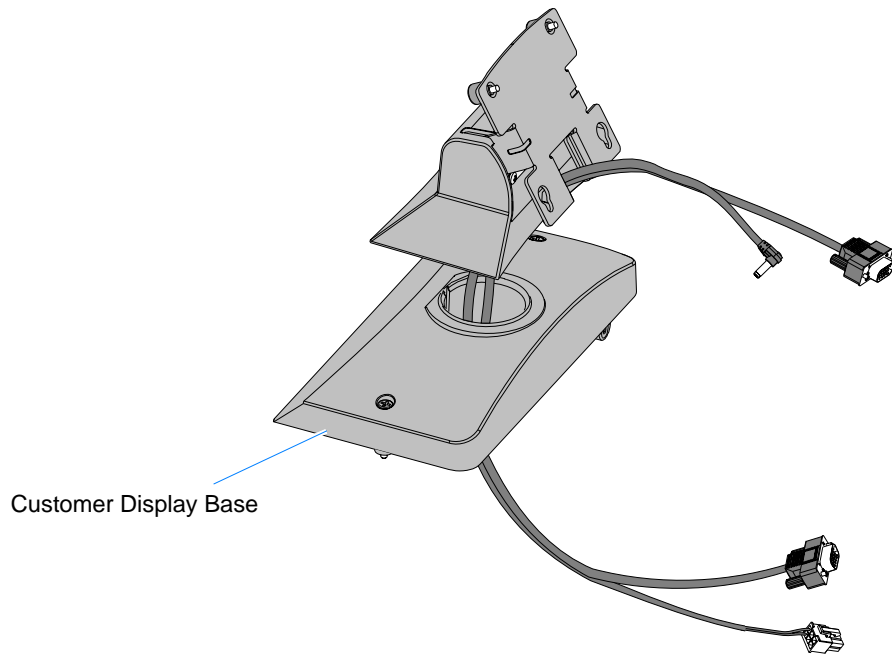


4. Assemble the Customer Display Plate and Customer Display Post (4 Screws).



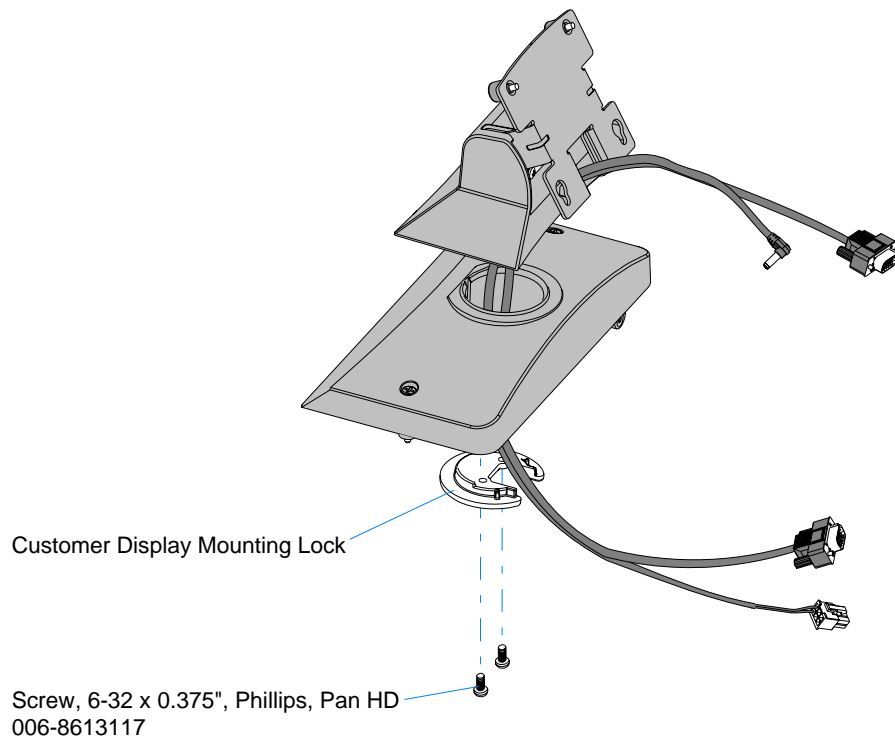
26980c

5. Route the display cables through the mounting components as shown below.



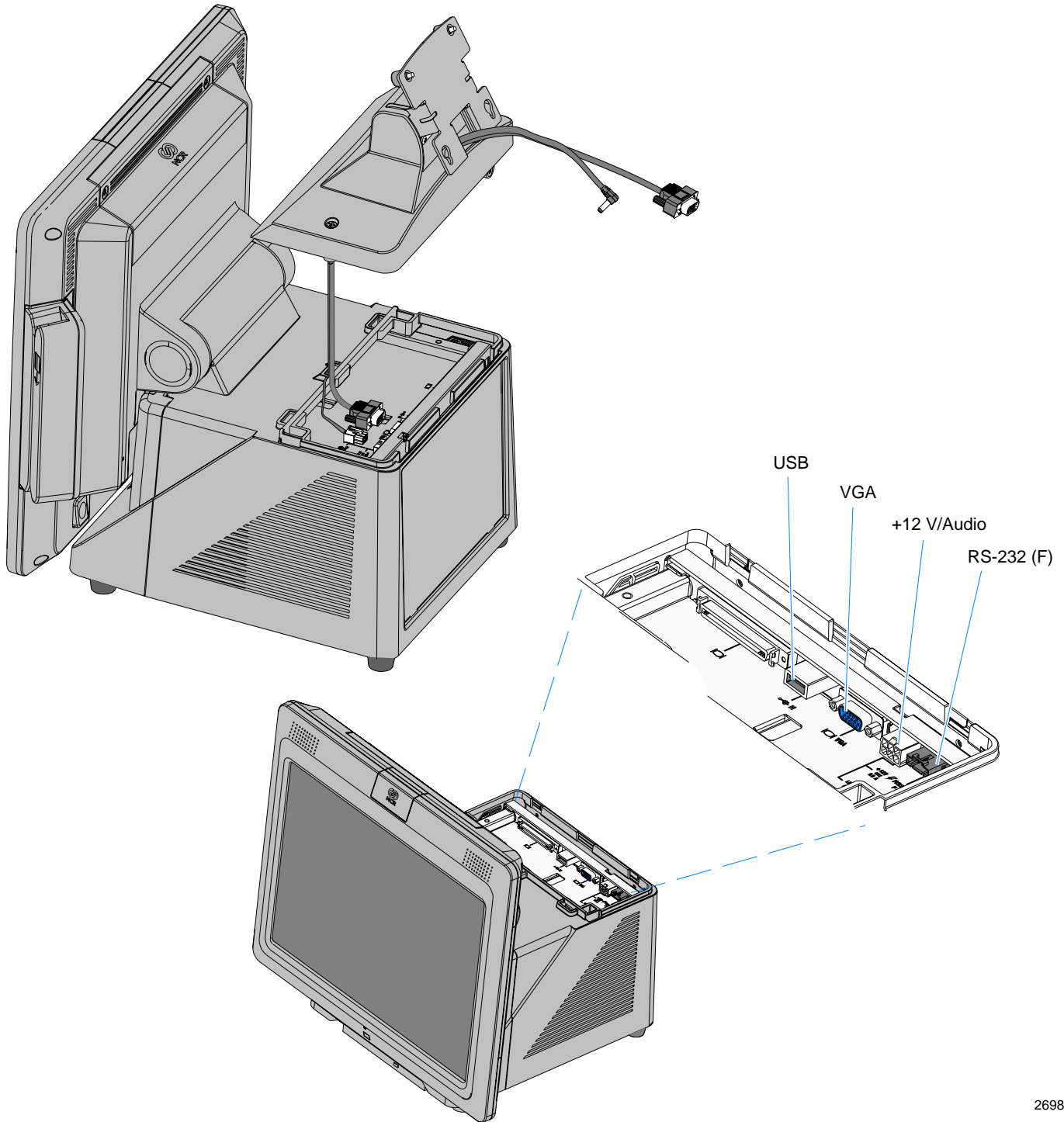
26982

6. Insert the Customer Display Plate/Post assembly into the Customer Display Base and secure it with the Customer Display Mounting Lock (2 screws).

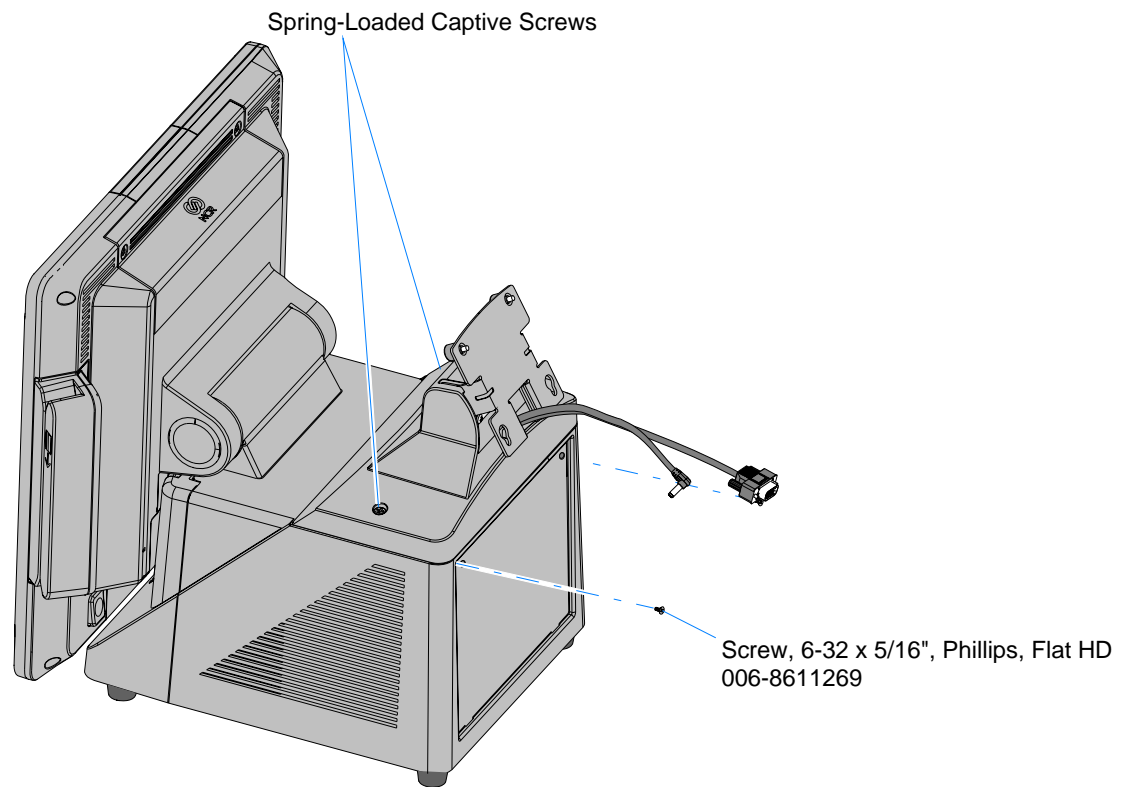


7. Connect the display cables to the 7403 Backplane Board.

- Connect the VGA and Powered USB Y-Cables to the VGA connector.
- Connect the Power Cable to the +12V/Audio connector.

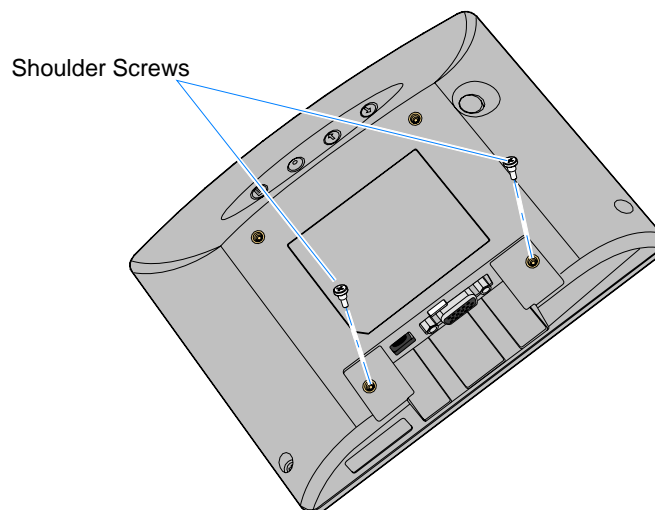


8. Install the mounting assembly onto the 7403. Secure it with the Base Rear Cover Screws (2) and the Spring-Loaded Captive Screws (2) in the Customer Display Mounting Base.



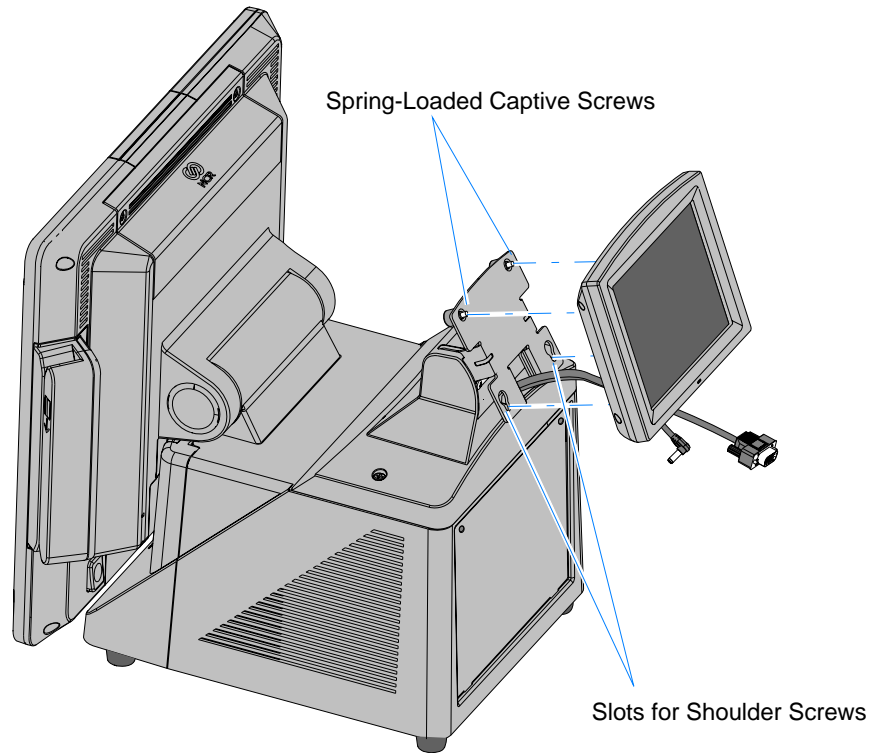
26985

9. Install the two shoulder screws in the back of the display (NCR 5982 shown).



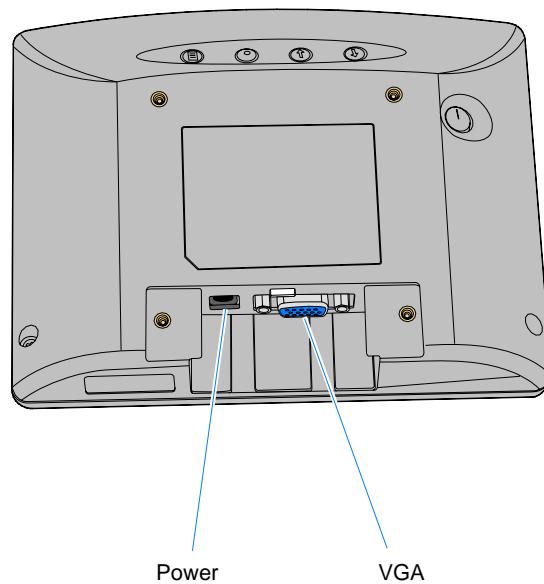
26986

10. Install the Customer Display on the 7403.
 - a. Insert the heads of the two shoulder screws on the back of the display into the two slots on the Customer Display Mounting Plate.
 - b. Secure the display with the two thumbscrews.



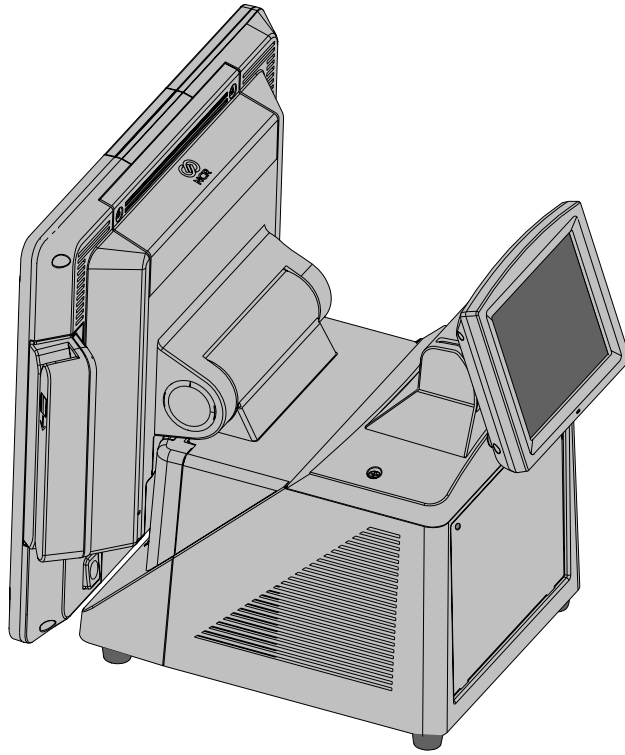
26988

11. Connect the Power and VGA cables to the Customer Display.



26987

12. Re-connect the Power Cord to the terminal and install the Front Cover.



26991

13. Re-install the Information Sheet and Signage Insert in the Base Rear Cover (if applicable).