

7403-K451

Integrated 2x20 Customer Display

Kit Instructions



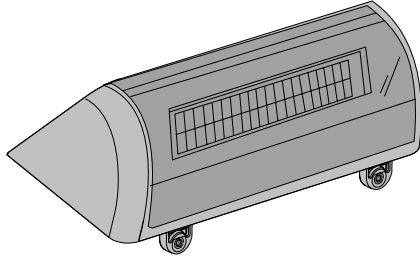
Issue A

Revision Record

Issue	Date	Remarks
A	Nov 2008	First issue

Introduction

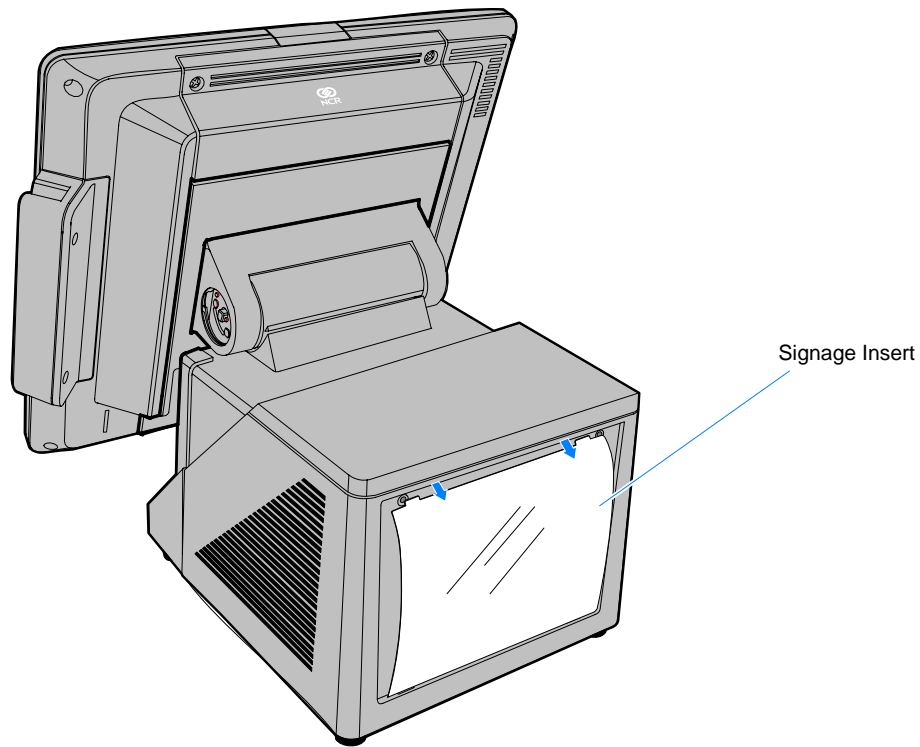
This kit adds an integrated 2x20 VFD display to the 7403 terminal.



26330

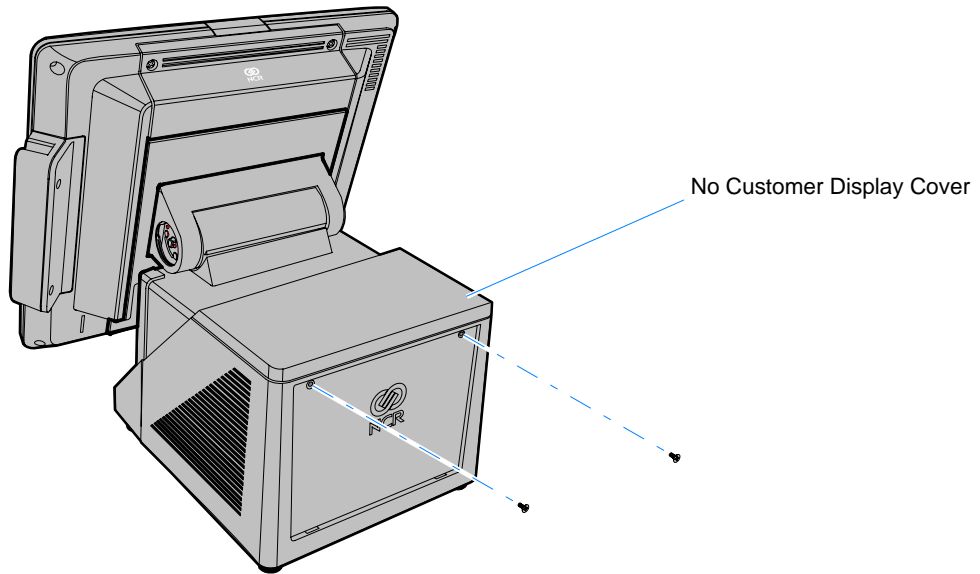
Installation Procedures

1. If present, remove the Signage Insert (and Signage) from the back of the 7403. The insert has two extensions on the top and bottom that are inserted in matching slots on the cabinet. It is very flexible so you can remove it off using your fingernail or a sharp object.



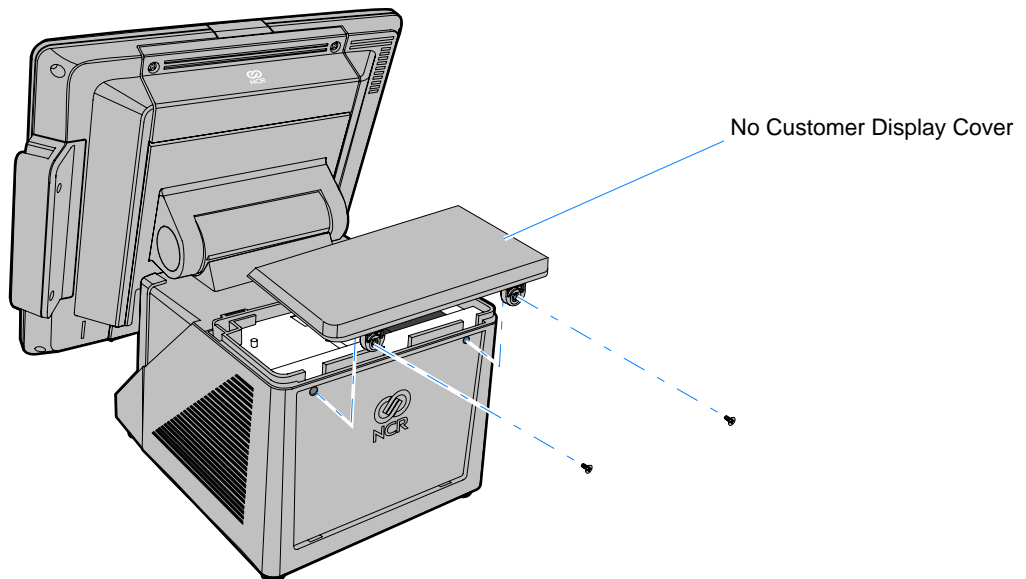
2. Remove the No Customer Display (2 Screws).

Note: Do not discard these screws. They are use later to secure the Customer Display Assembly.



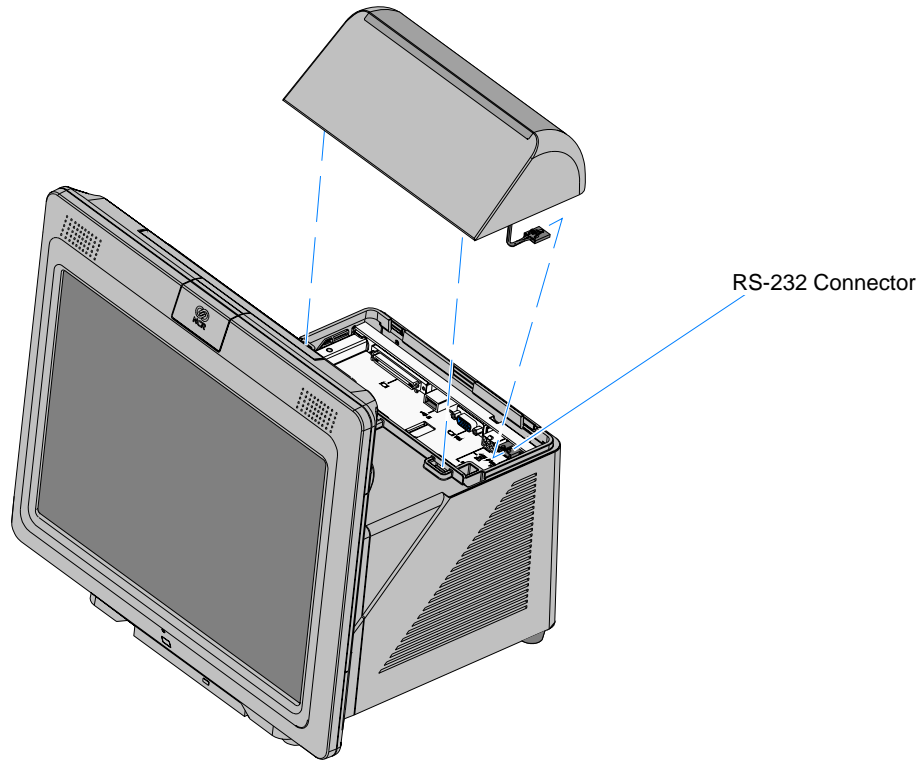
26045a

3. Remove the No Customer Display Cover Screws (2).
4. There are two hooks on the front edge that hook into the Back Cover. Slide the cover toward the front of the terminal slightly and lift it off.



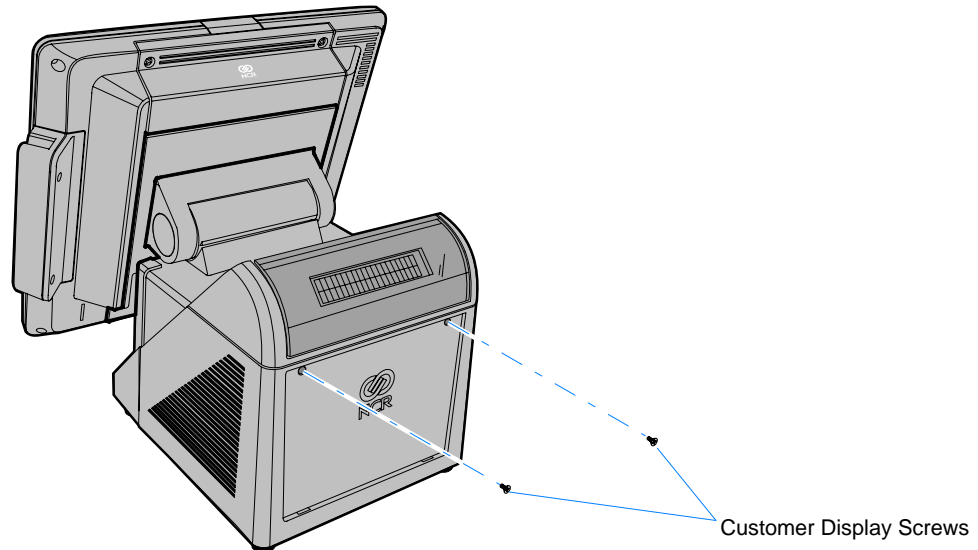
26149

5. Connect the Customer Display Cable to the RS-232 (F) connector.
6. Install the Customer Display on the 7403 Base.



26128

7. Secure the display with screws (2).



26028

8. Re-install the Information Sheet and Signage Insert in the Base Rear Cover (if applicable).