

7403-K320

Wall Mount Bracket

Kit Instructions



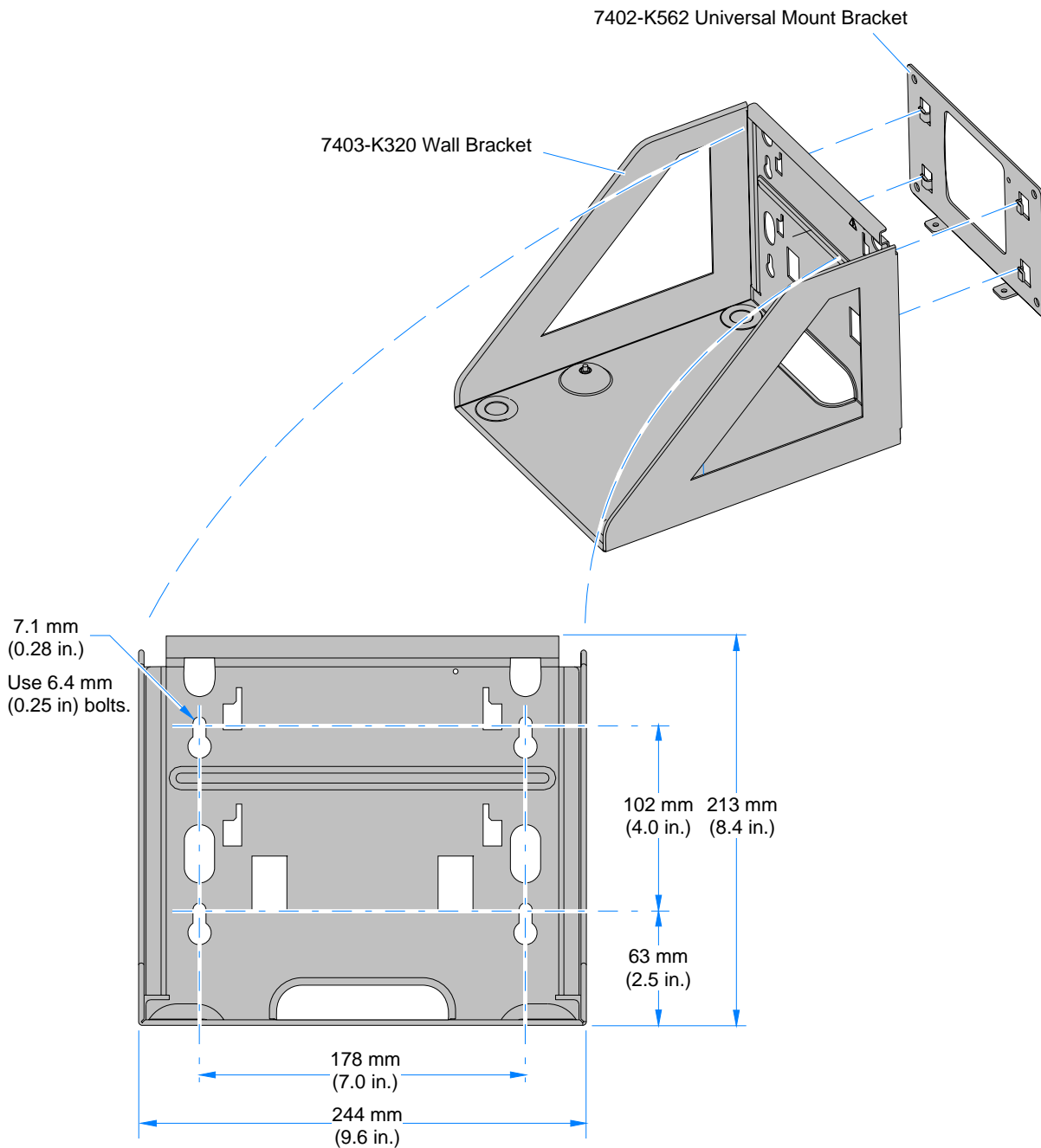
Issue A

Revision Record

Issue	Date	Remarks
A	Nov 2008	First issue

Introduction

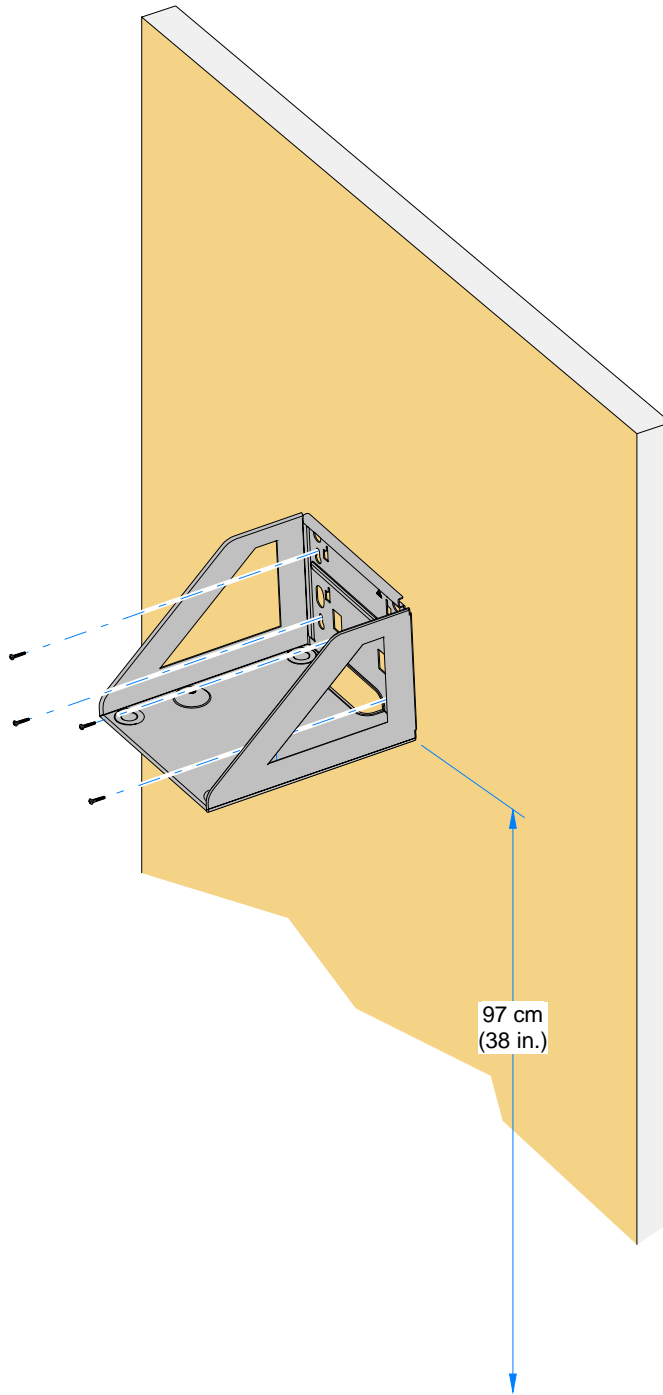
The Wall Mount Bracket Kit is used to mount a 7403 terminal on a wall. The bracket can be mounted directly to the wall or it can be easily installed on the 7402 Universal Mount Bracket (7402-K562), which accommodates customers upgrading from an NCR 7402 that are using the Universal Mount.



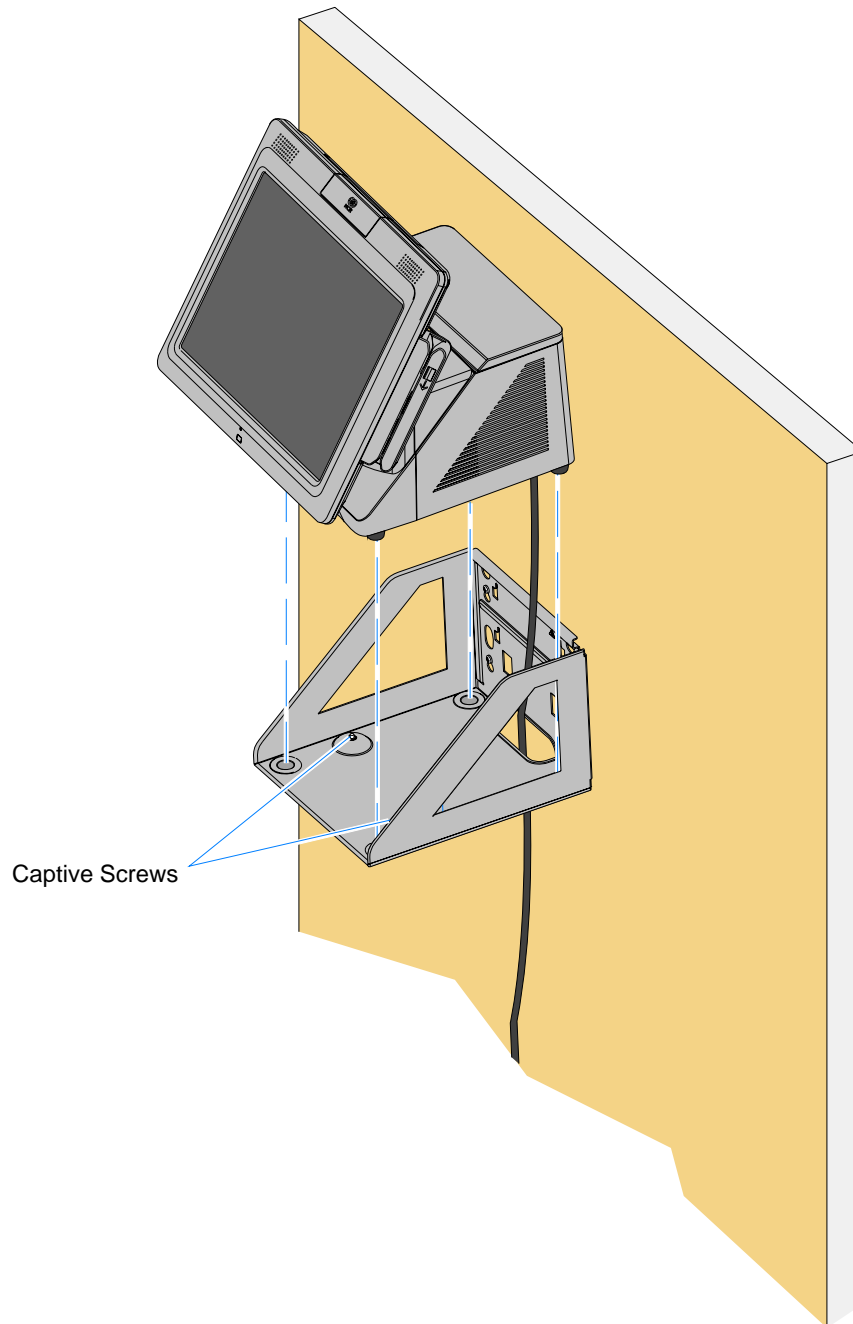
Installation Procedures

1. Secure the Wall Bracket to the wall using 6.3 mm (0.25 in.) lag screws (4). Make sure you install the screws into the studs or that you use hardware of similar strength.

Note: The recommended viewing height for the terminal is 1.2 m (48 in.) from the floor. Locate the base of the Wall Bracket 97 cm (38 in.) from the floor.



2. Place the 7403 terminal in the Wall Bracket, aligning the 7403 rubber feet in the four indentations in the bottom of the Wall Bracket. Route the cable(s) through the opening in the bottom of the Wall Bracket.



26304

3. Secure the terminal with the Captive Screws (2) in the bottom of the Wall Bracket.