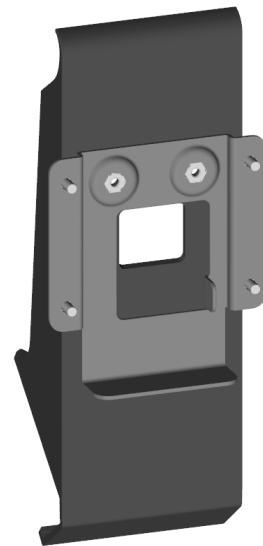


Kit Instructions

XL7 Mount Bracket to 7613 Stand - Rear



7613-K477
Issue A



The product described in this document is a licensed product of NCR Corporation.

NCR is a registered trademark of NCR Corporation. NCR RealPOS is a trademark of NCR Corporation in the United States and/or other countries. Other product names mentioned in this publication may be trademarks or registered trademarks of their respective companies and are hereby acknowledged.

The terms HDMI and HDMI High-Definition Multimedia Interface, and the HDMI Logo are trademarks or registered trademarks of HDMI Licensing LLC in the United States and other countries.

Where creation of derivative works, modifications or copies of this NCR copyrighted documentation is permitted under the terms and conditions of an agreement you have with NCR, NCR's copyright notice must be included.

It is the policy of NCR Corporation (NCR) to improve products as new technology, components, software, and firmware become available. NCR, therefore, reserves the right to change specifications without prior notice.

All features, functions, and operations described herein may not be marketed by NCR in all parts of the world. In some instances, photographs are of equipment prototypes. Therefore, before using this document, consult with your NCR representative or NCR office for information that is applicable and current.

To maintain the quality of our publications, we need your comments on the accuracy, clarity, organization, and value of this book. Please use the link below to send your comments.

Email: FD230036@ncr.com

Copyright © 2018
By NCR Corporation
Duluth, GA U.S.A.
All Rights Reserved

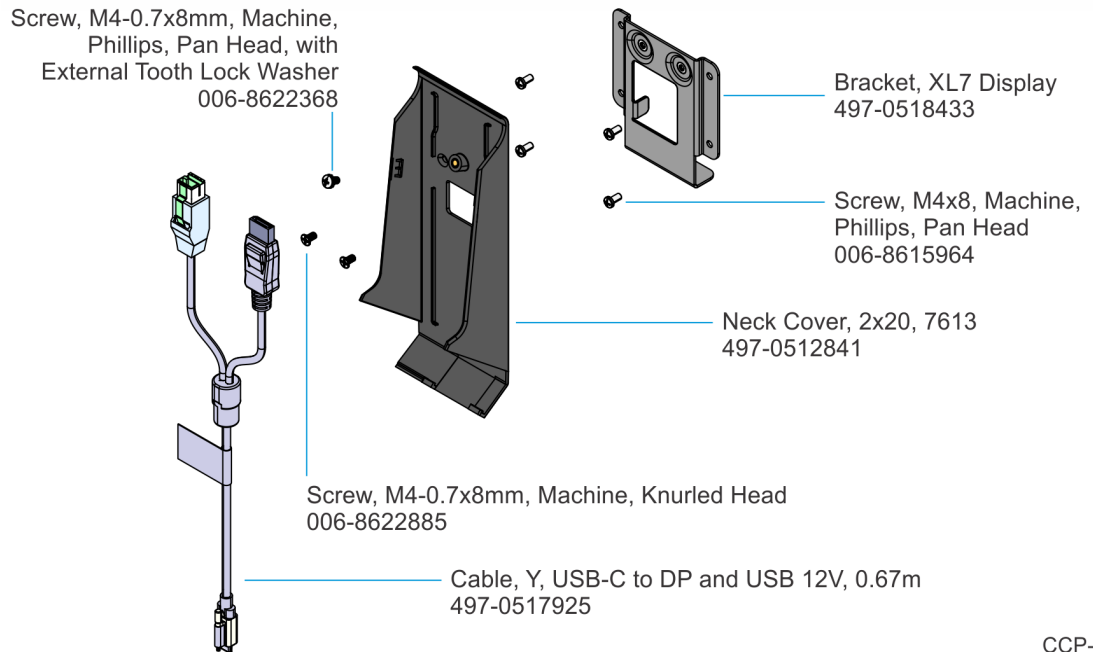
Revision Record

| Issue | Date | Remarks |
|-------|----------|-------------|
| A | Apr 2018 | First Issue |
| | | |
| | | |

XL7 Mount Bracket to 7613 Stand - Rear

This kit provides a bracket to mount the NCR XL7 (5907) Display to the neck of the NCR XR3 (7613).

Kit Contents



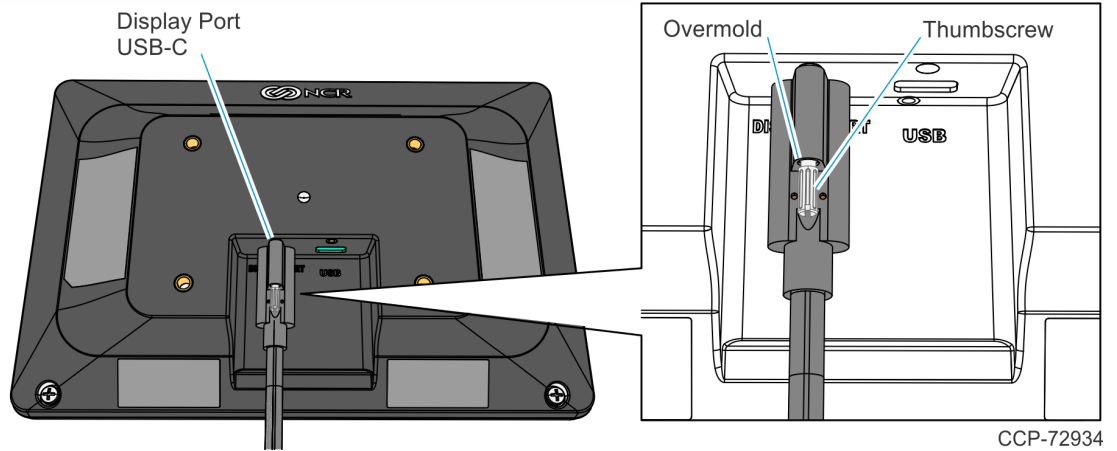
CCP-72943

Installation Procedure

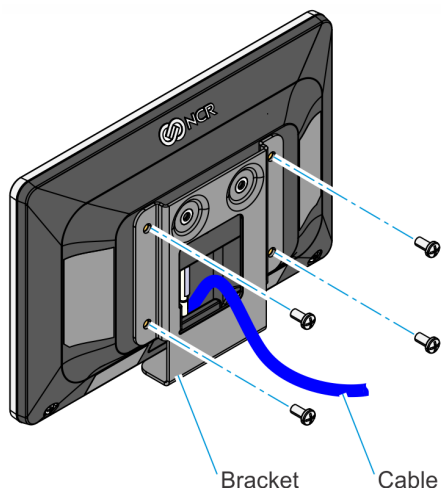
1. Connect the USB-C end of the Display Cable to the back of the Display. Tighten the thumbscrew.



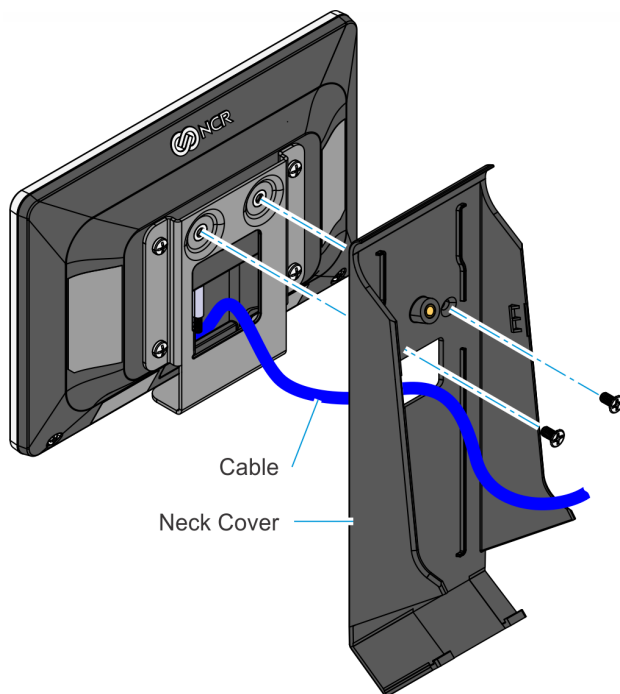
Note: Avoid overtightening the thumbscrew by turning it only until the silver knurled portion touches the black plastic overmold. Overtightening the thumbscrew damages the connector on the board.



2. Route the cable through the Bracket opening, then install the Bracket on the back of the Display (4 screws).

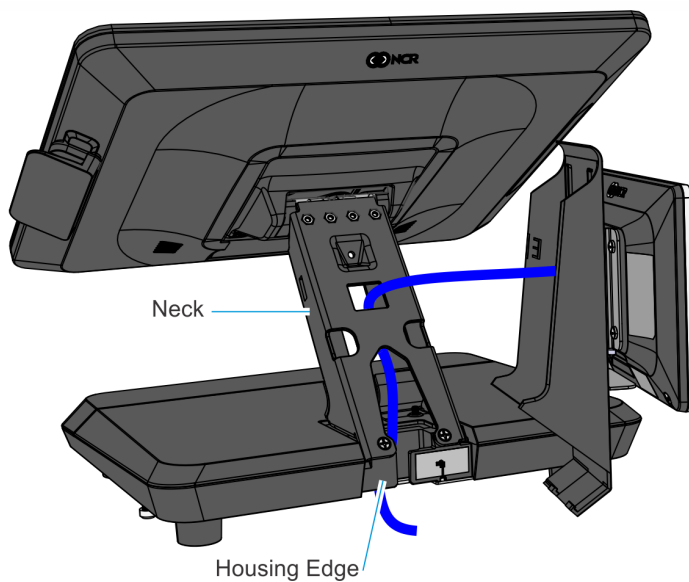


3. Route the cable through the Neck Cover, then install the Neck Cover on the Display and Bracket Assembly (2 screws).



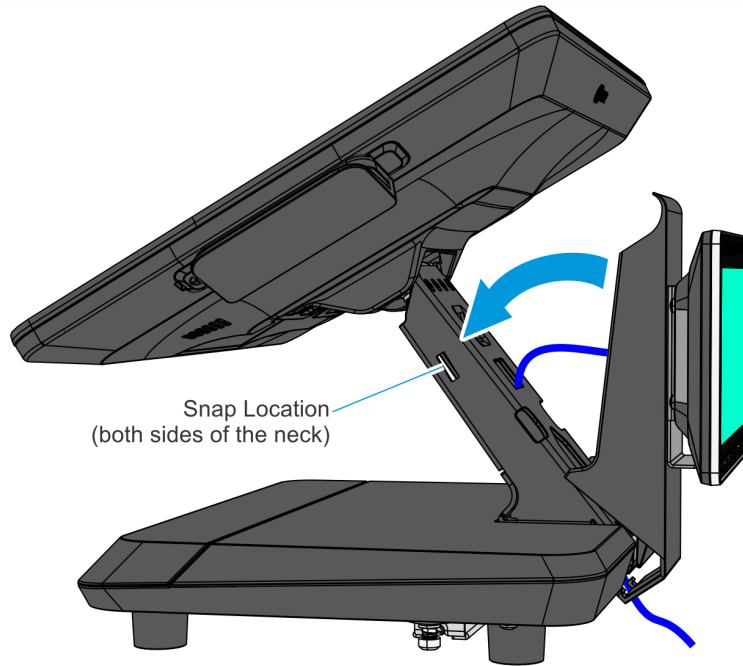
CCP-72945

4. Route the cable through the Neck and then under the housing edge.



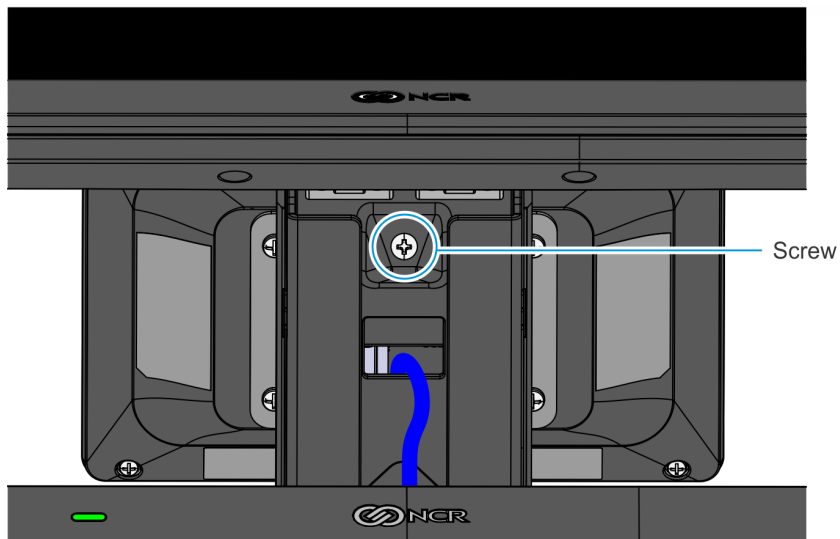
CCP-72948

5. Hook the Neck Cover onto the base housing then rotate the Neck Cover until it latches onto the Neck.



CCP-72946

6. Secure the Neck Cover from the inside of the Neck with (1) screw.

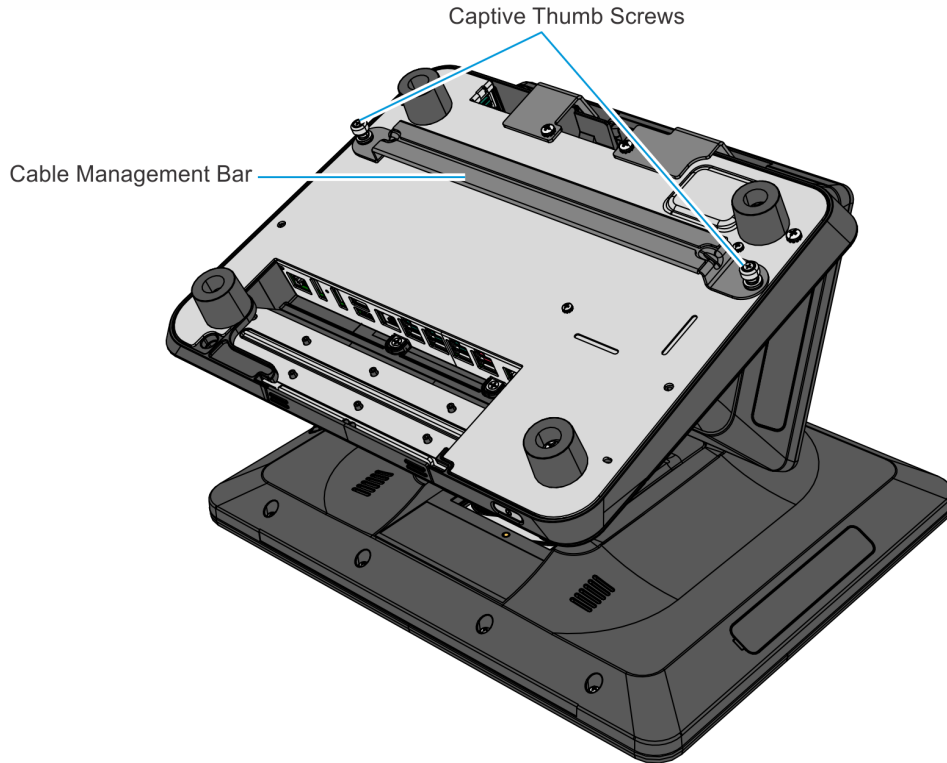


CCP-72947

- If a Cable Management Bar is present, lay the terminal face down on a flat surface, then loosen the (2) thumbscrews to remove the Bar.

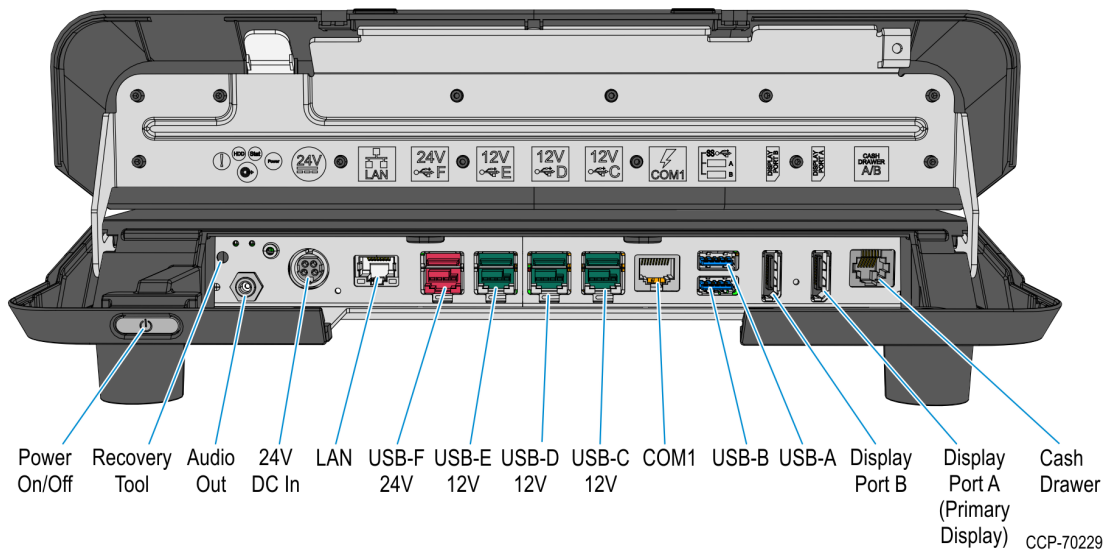


Caution: Always use a soft material (cloth, foam) to protect the display screen when placing the terminal face down.



CCP-72396

- Route and connect the Display Port and USB 12V connectors of the cable to the host terminal.



CCP-70229

9. If a Cable Management Bar is present, reinstall the Cable Management Bar with (2) thumbscrews.

