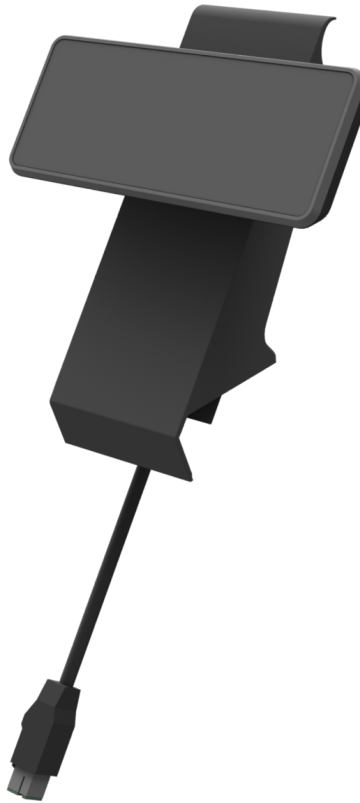


KIT INSTRUCTIONS

2x20 Customer Display



7613-K450
Issue A



The product described in this document is a licensed product of NCR Corporation.

NCR is a registered trademark of NCR Corporation. NCR RealPOS is a trademark of NCR Corporation in the United States and/or other countries. Other product names mentioned in this publication may be trademarks or registered trademarks of their respective companies and are hereby acknowledged.

The terms HDMI and HDMI High-Definition Multimedia Interface, and the HDMI Logo are trademarks or registered trademarks of HDMI Licensing LLC in the United States and other countries.

Where creation of derivative works, modifications or copies of this NCR copyrighted documentation is permitted under the terms and conditions of an agreement you have with NCR, NCR's copyright notice must be included.

It is the policy of NCR Corporation (NCR) to improve products as new technology, components, software, and firmware become available. NCR, therefore, reserves the right to change specifications without prior notice.

All features, functions, and operations described herein may not be marketed by NCR in all parts of the world. In some instances, photographs are of equipment prototypes. Therefore, before using this document, consult with your NCR representative or NCR office for information that is applicable and current.

To maintain the quality of our publications, we need your comments on the accuracy, clarity, organization, and value of this book. Please use the link below to send your comments.

EMail: FD230036@ncr.com

Copyright © 2017
By NCR Corporation
Duluth, GA U.S.A.
All Rights Reserved

Revision Record

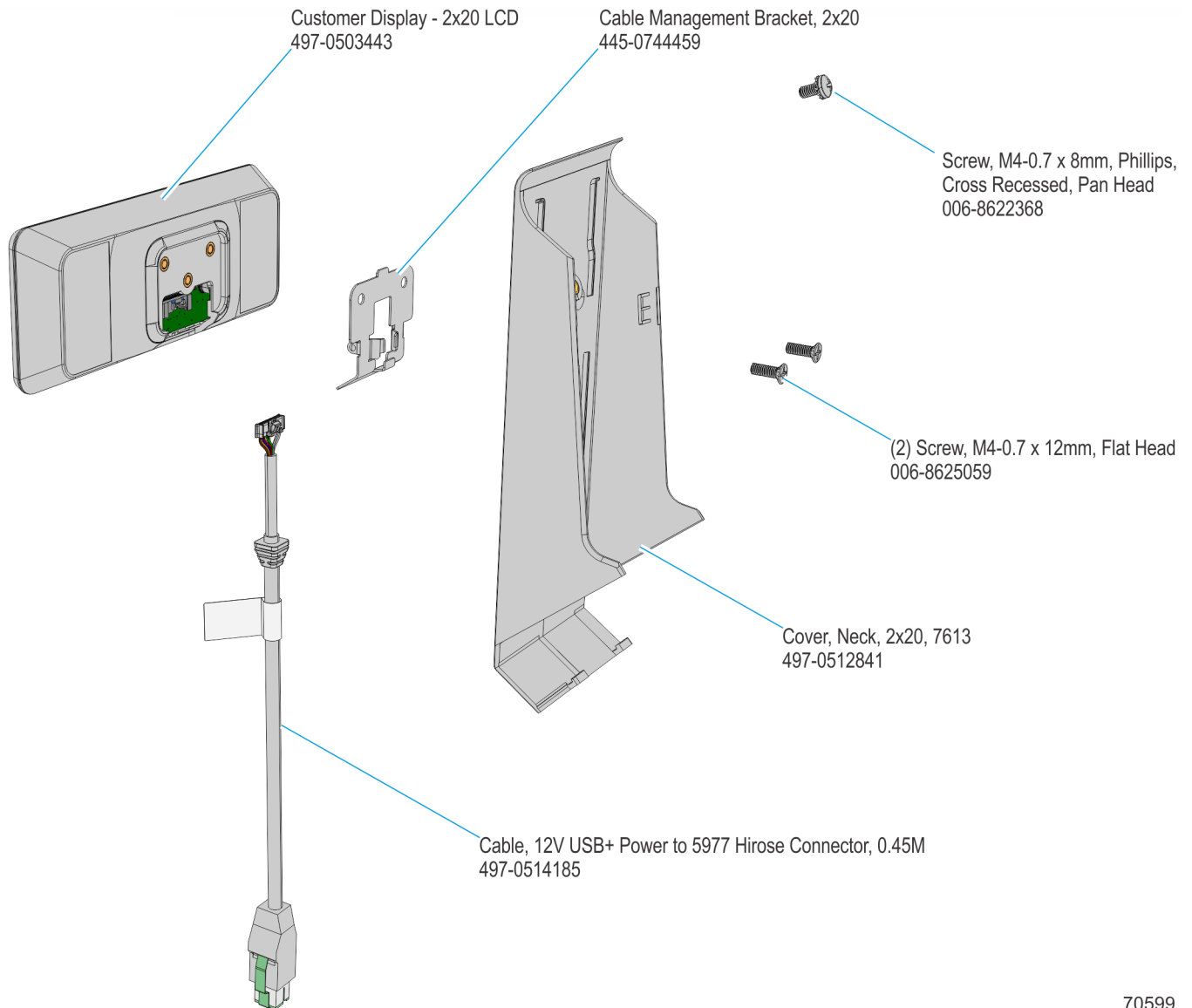
Issue	Date	Remarks
A	Feb 2017	First Issue

2x20 Customer Display (w/ Stand Mount Bracket and Cable)

Introduction

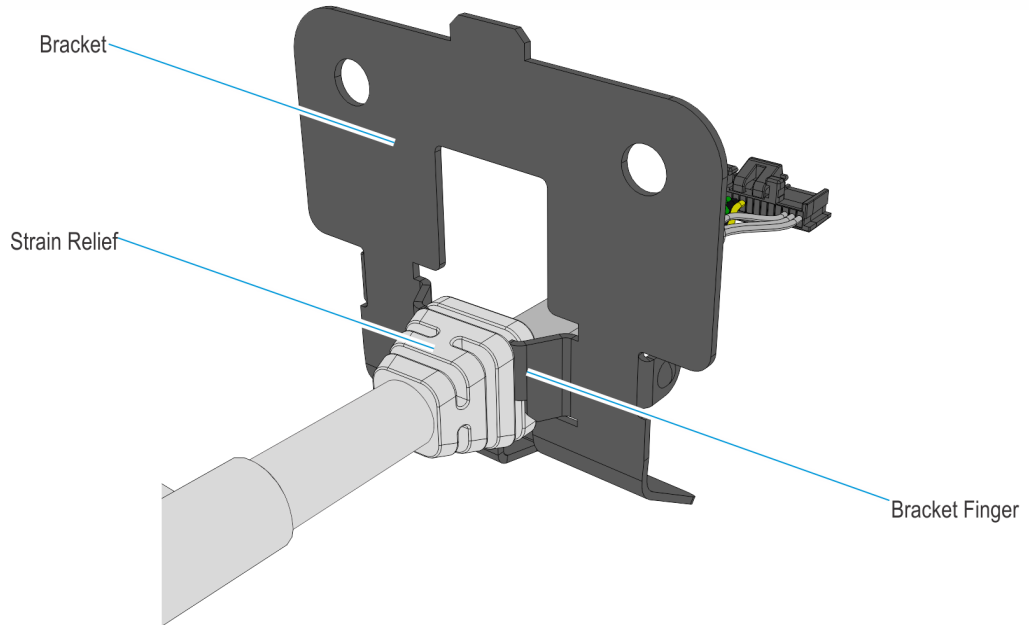
This kit provides a 2x20 Customer Display (w/ Stand Mount Bracket and Cable) for an NCR RealPOS XR3.

Kit Content



Installation Procedure

1. Route the 2x20 customer display cable through the bracket hole. Insert the bracket fingers into the strain relief.



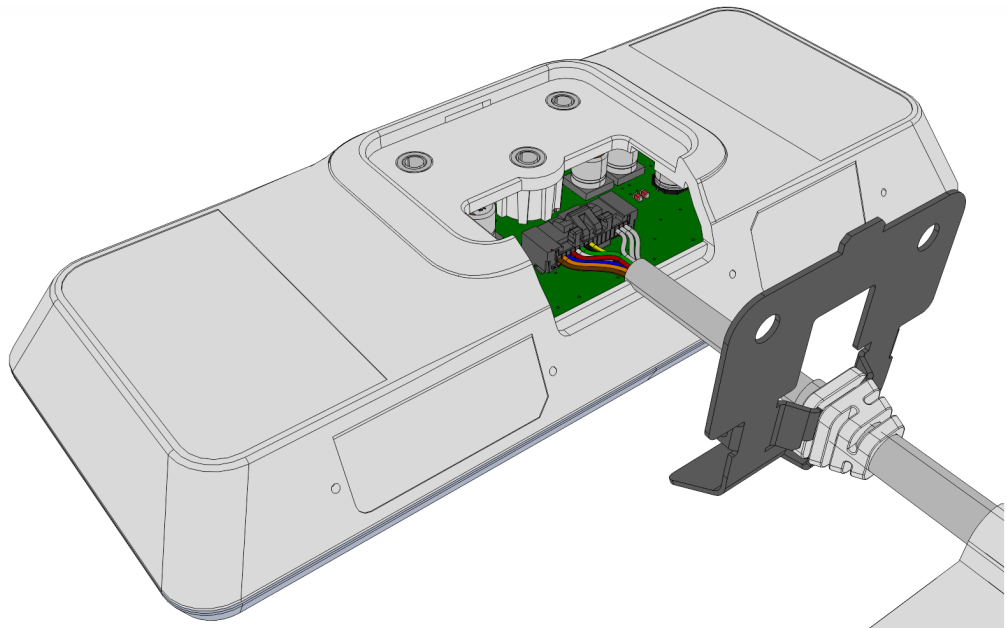
70590

2. Lay the 2x20 customer display face down on a flat surface.



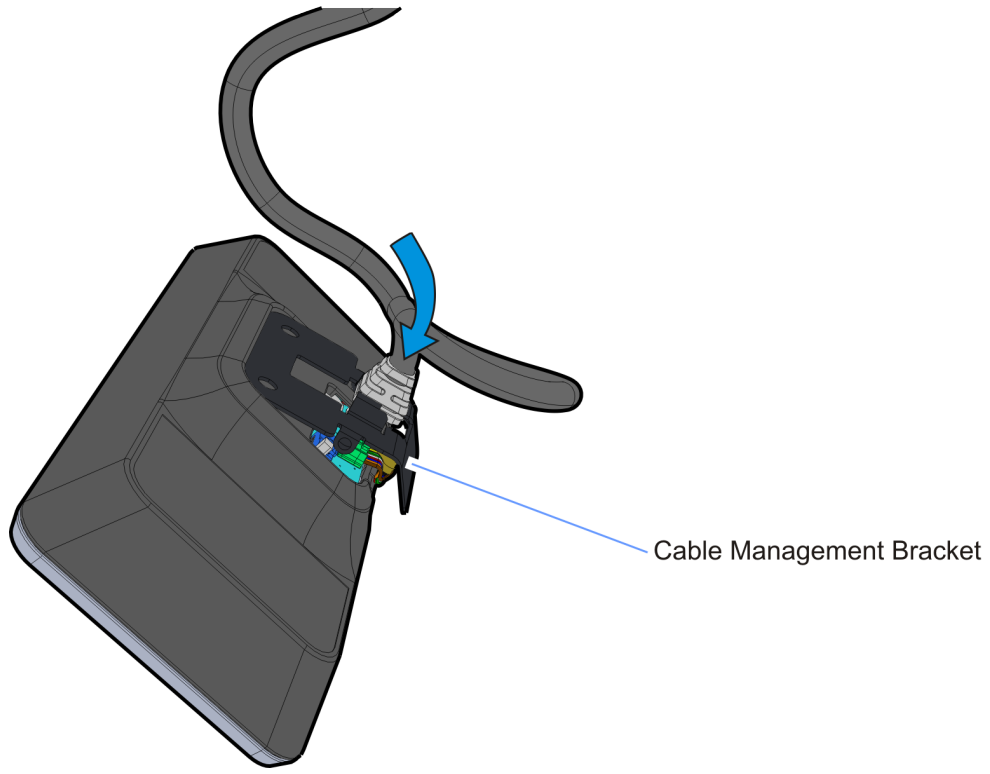
Note: Always use a soft material (cloth, foam) to protect the display screen when placing the 2x20 customer display face down.

3. Connect the 12V Powered USB cable to the connector on the display.

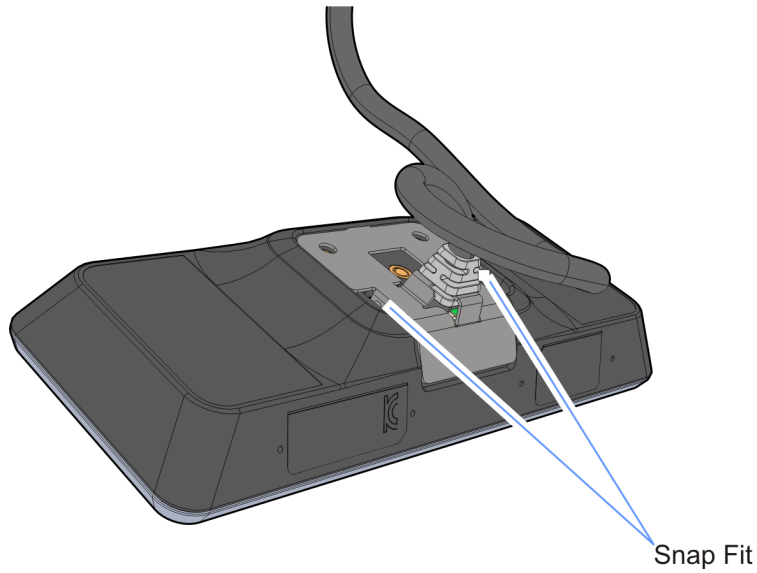


70591

4. Insert the tab in the edge of the Cable Management Bracket in the slot in the Rear Cover and pivot the bracket as shown until it snaps into position.

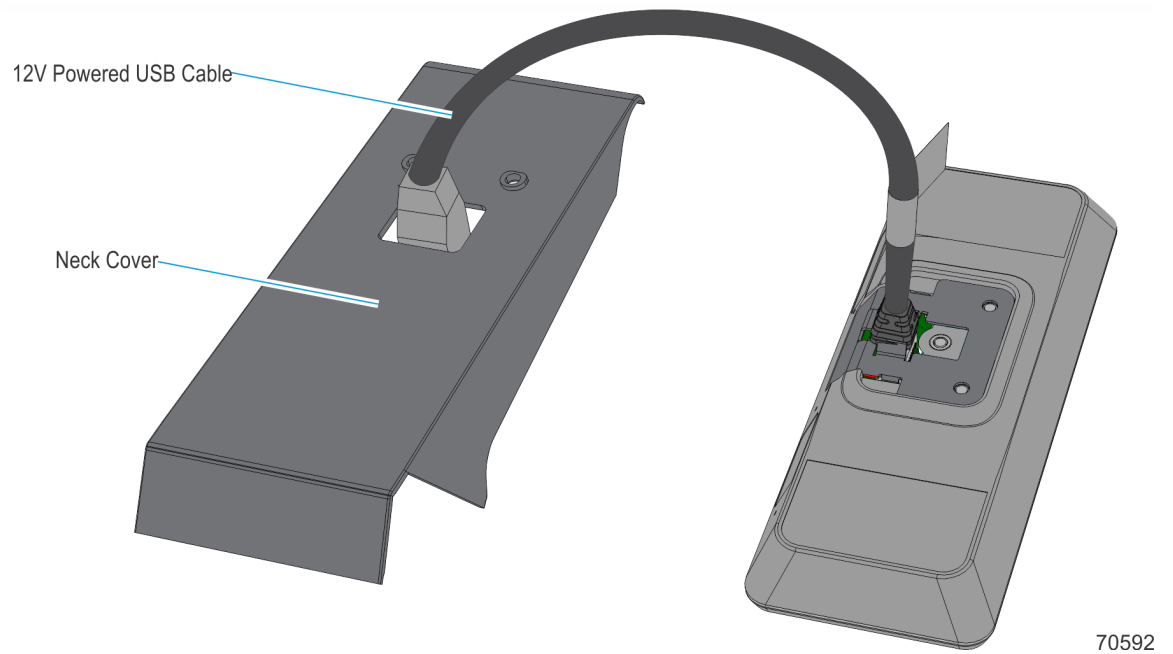


32893

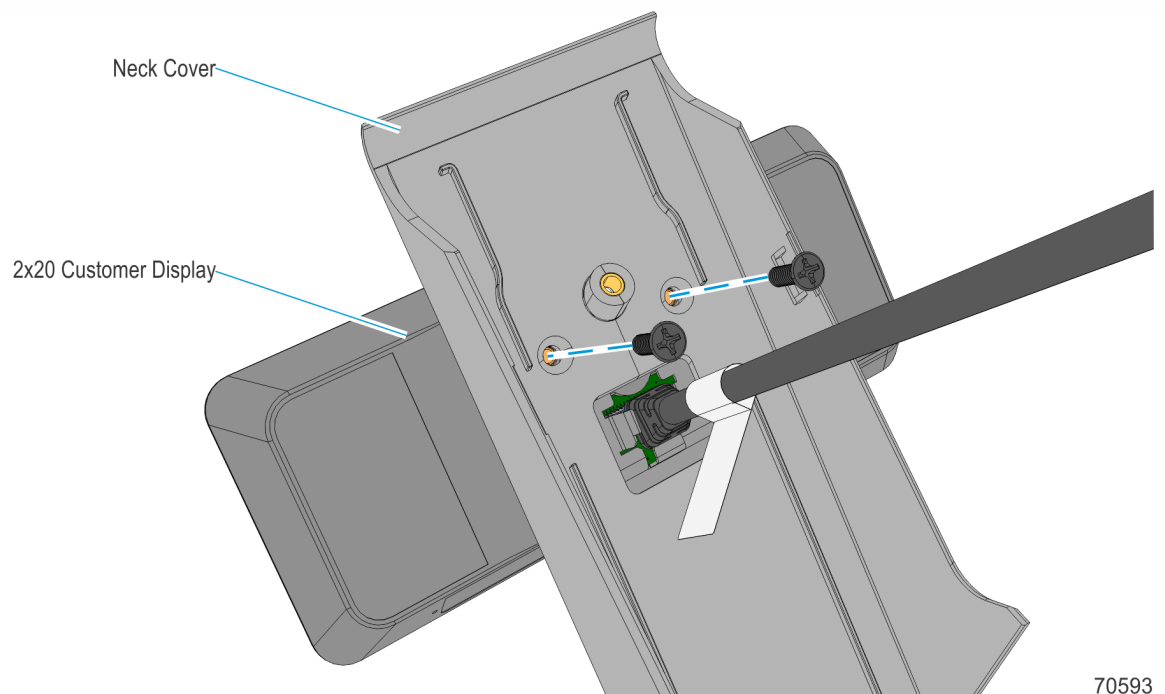


33337

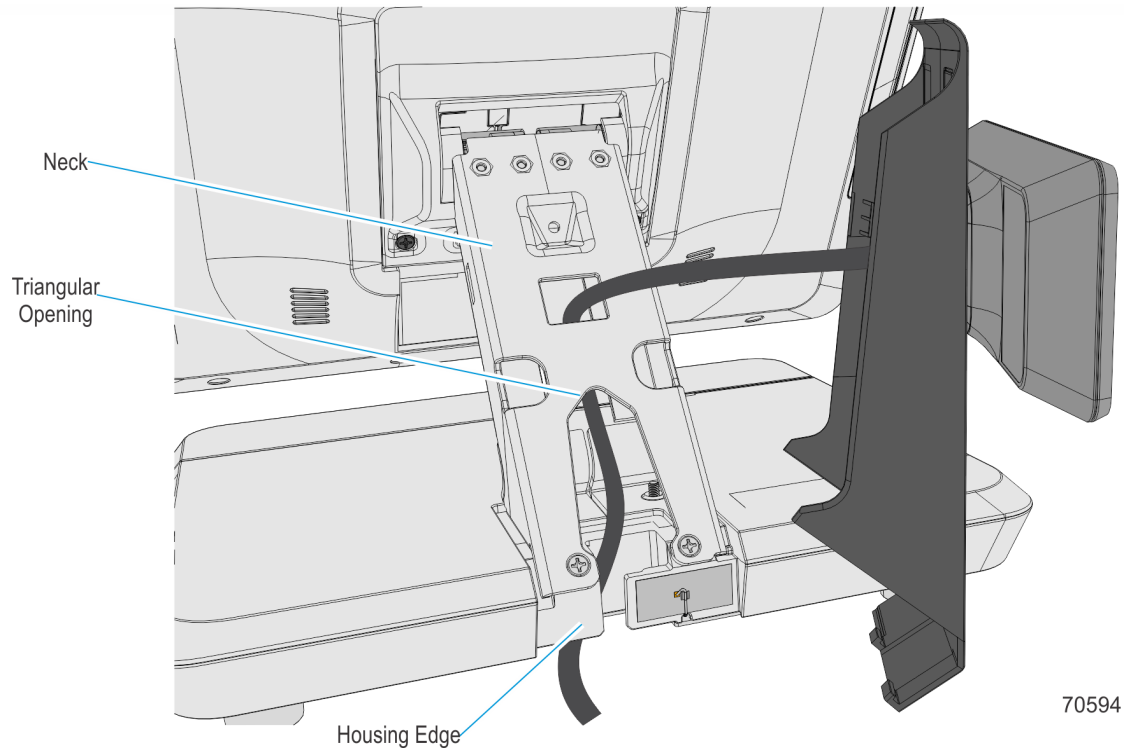
5. Route the 12V Powered USB Cable through the Neck Cover.



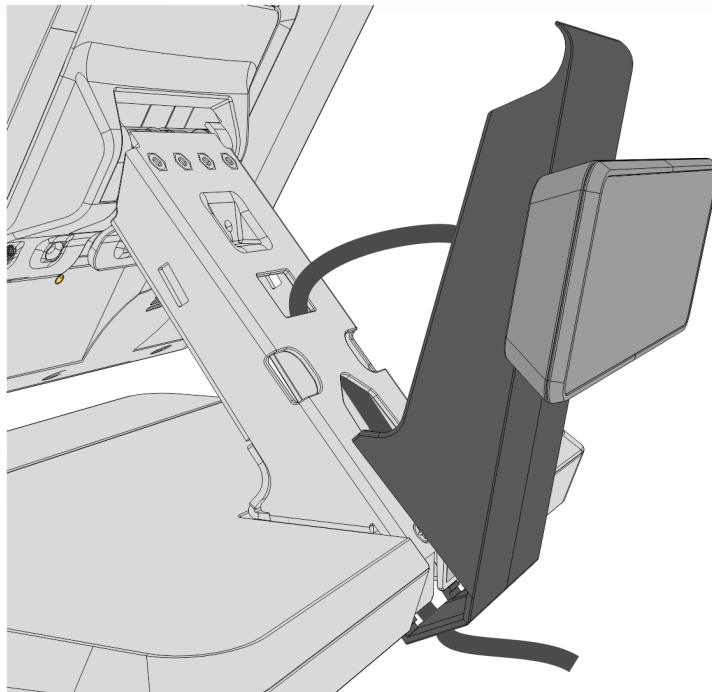
6. Secure the 2x20 Customer Display to the Neck Cover with screws (2).



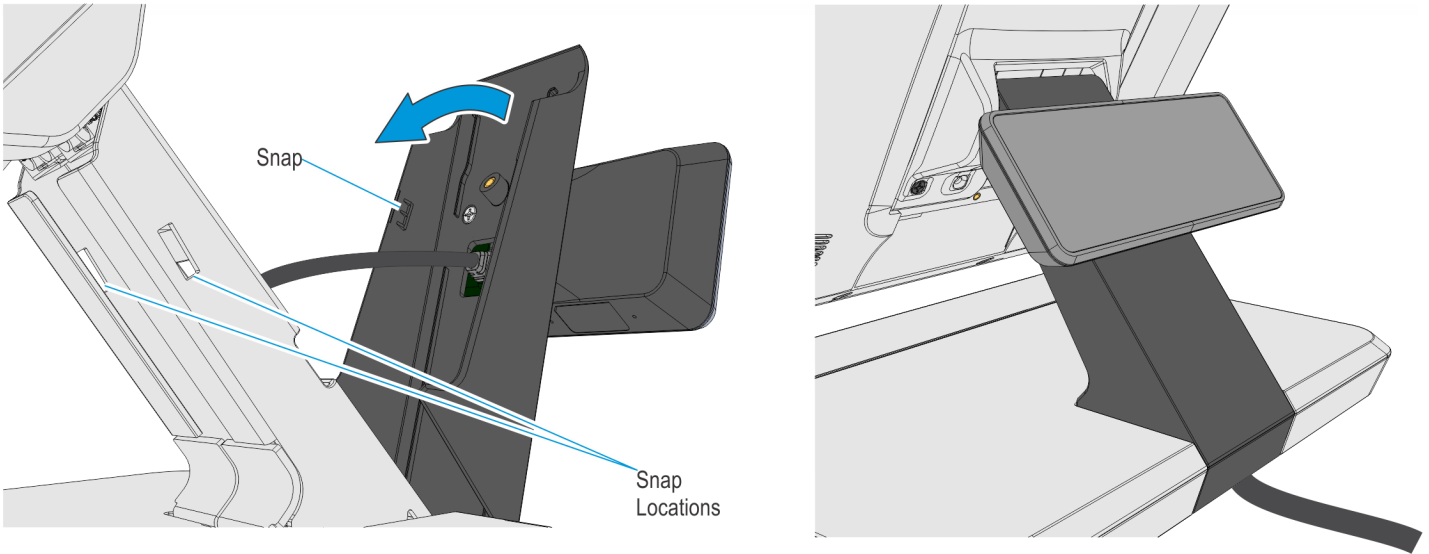
7. Route the cable through the neck, into the triangular opening, and then under the housing edge.



8. Hook the neck cover and 2x20 display assembly into the base housing.

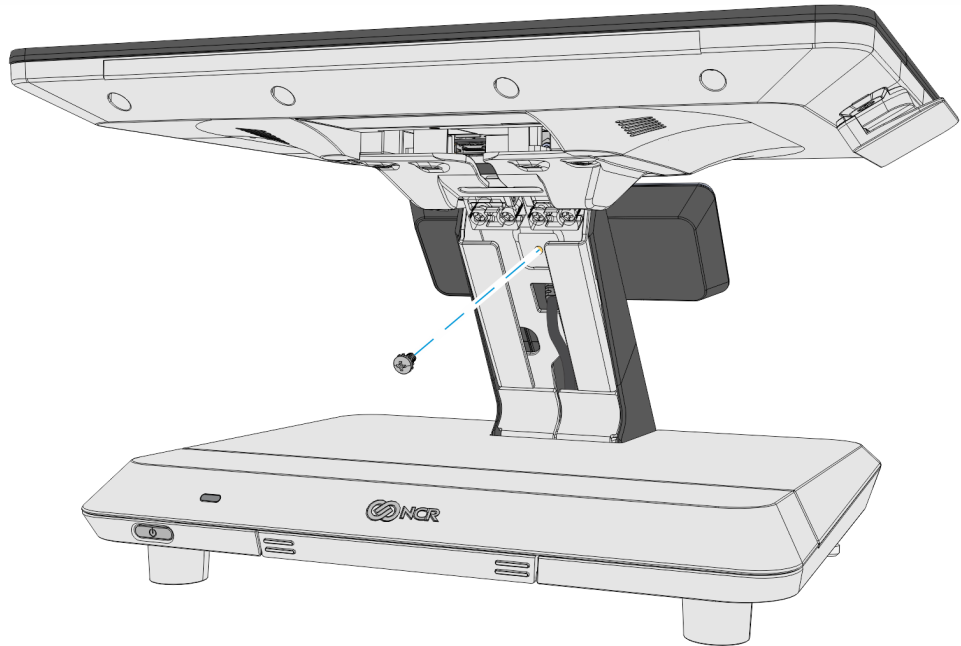


9. Rotate the assembly to fit the neck. Snap the assembly into place.



70596

10. Pivot the display towards the back. Secure the assembly to the neck with screw (1).



70597

11. Lay the terminal face down on a flat surface.



Note: Always use a soft material (cloth, foam) to protect the display screen when placing the display face down.

12. Connect the cable to the 12V Powered USB connector on the terminal.

