

7610-K453

LCD Customer Display Tilt Mount

Kit Instructions



Issue A

Revision Record

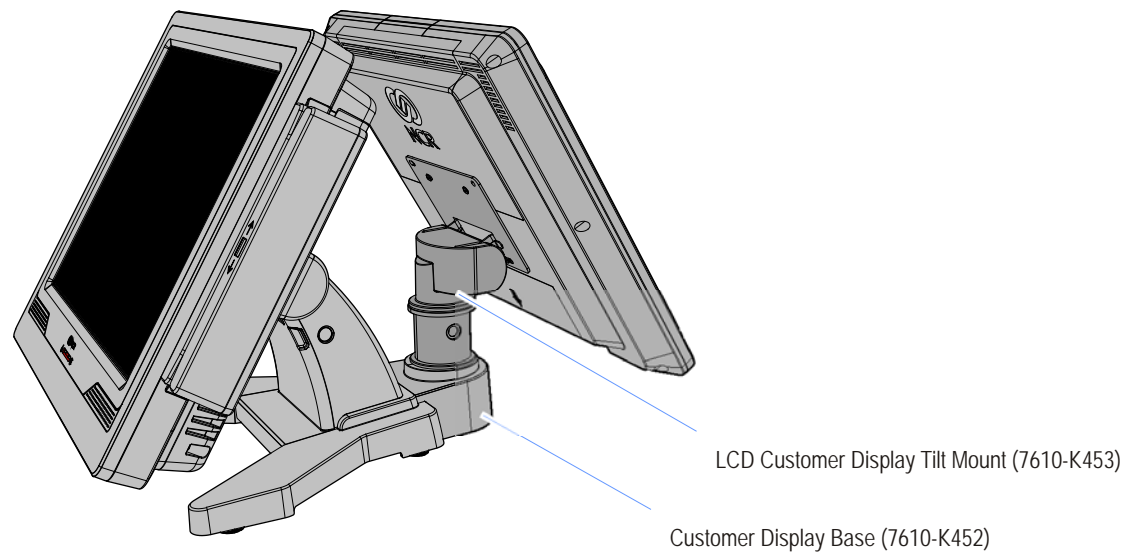
Issue	Date	Remarks
A	Feb 2011	First issue

Introduction

This kit provides a VESA tilt mount which supports 6.5", 12.1" and 15" NCR LCD customer displays. Includes (4) VESA mount screws for NCR 12 & 15" LCDs and (4) VESA mount screws for 5982 (6.5") LCD.

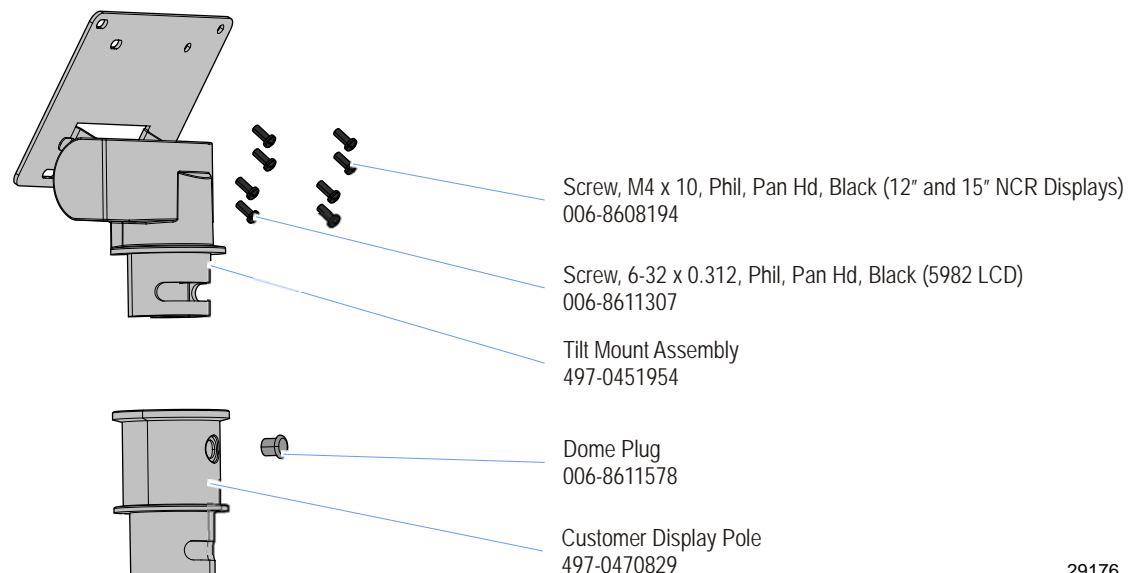
Note: This kit requires the Customer Display Base Kit (7610-K452).

Warning: The 7610-K452, 7610-K453 and LCD customer display should be disconnected from the terminal during movement / shipping.



29175

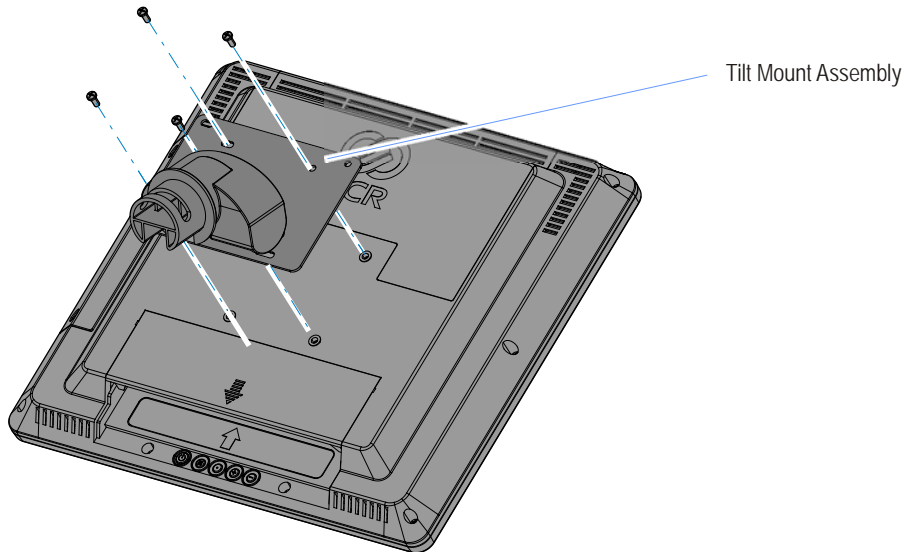
Components



29176

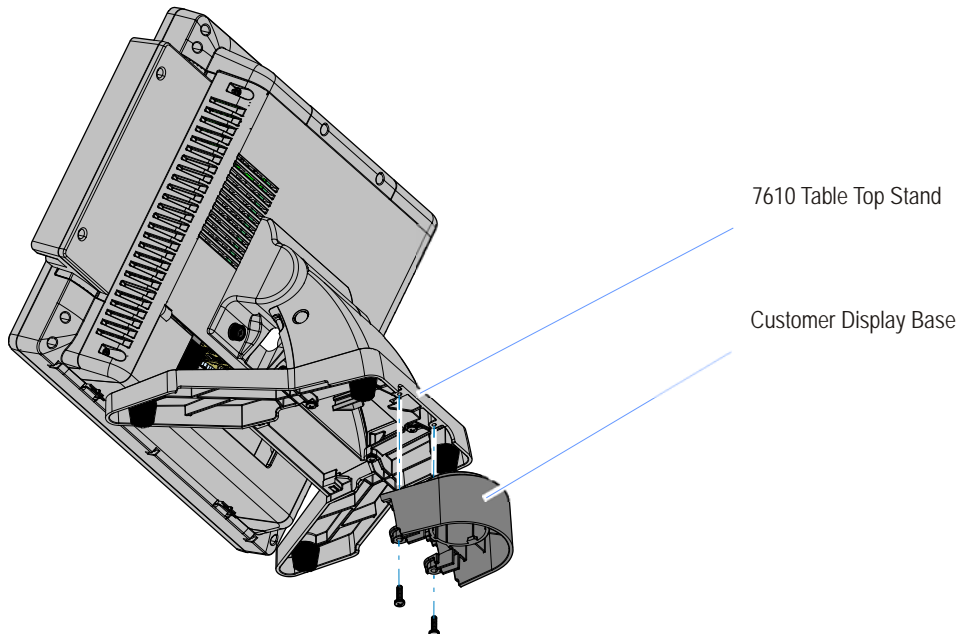
Installation Procedures

1. Install the Tilt Mount Assembly on the back of the LCD Customer Display. Use the M4 x 10 screws for the 12" and 15" NCR Displays or the 6-32 x 0.312 screws for the NCR 5982 Display. (The M4 screw has a larger diameter than the 6-32.)



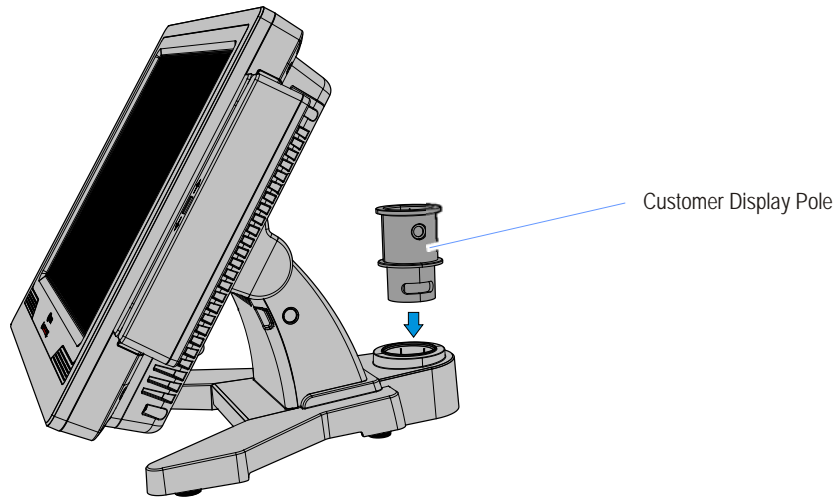
29177

2. Install the Customer Display Base (7610-K452) on the back of the 7610 Table Top Stand (7610-K320). Secure it with screws (2).



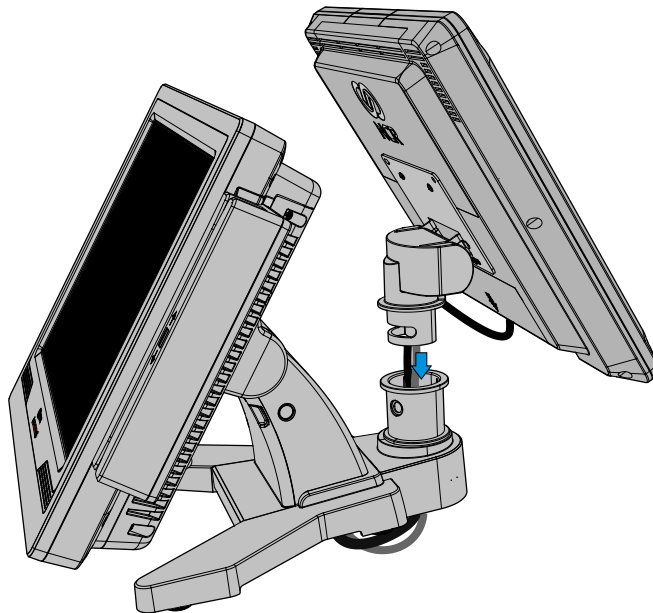
29179

3. Insert the Customer Display Pole into the Customer Display Base.



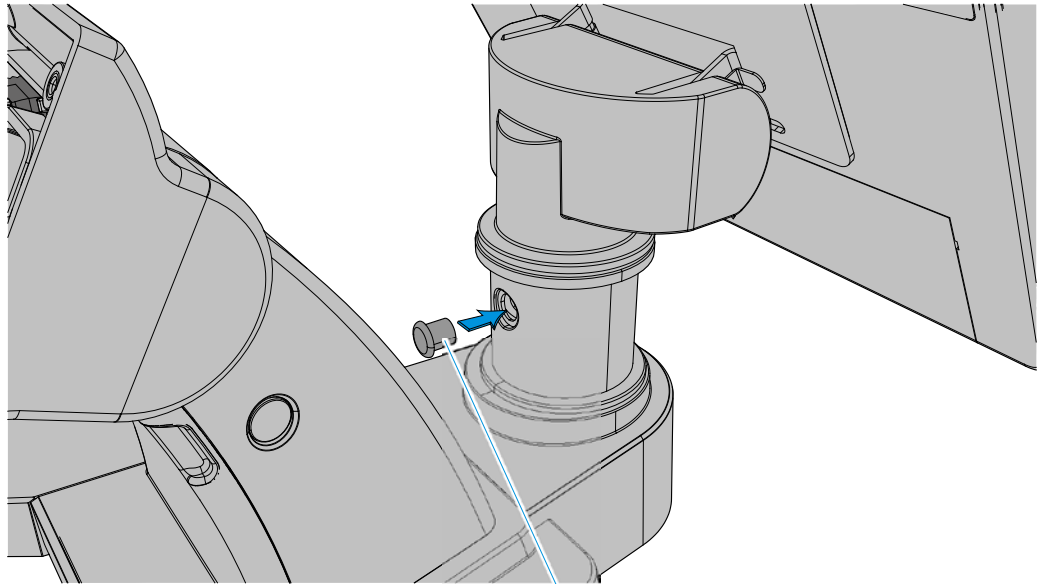
29180

4. Connect the Display Cables (DVI/VGA and Powered USB) to the Customer Display.
5. Route the Display Cable down the Customer Display Pole.
6. Connect cables to I/O Panel connectors on the 7610.
7. Insert the Customer Display Pole into the Customer Display Base.



29181

- Align the hole in the Customer Display Pole with the slot in the Tilt Mount Assembly and then insert the Dome Plug into the hole. The plug locks the plastic components together.



Dome Plug