

7610-K452

Customer Display Base

Kit Instructions



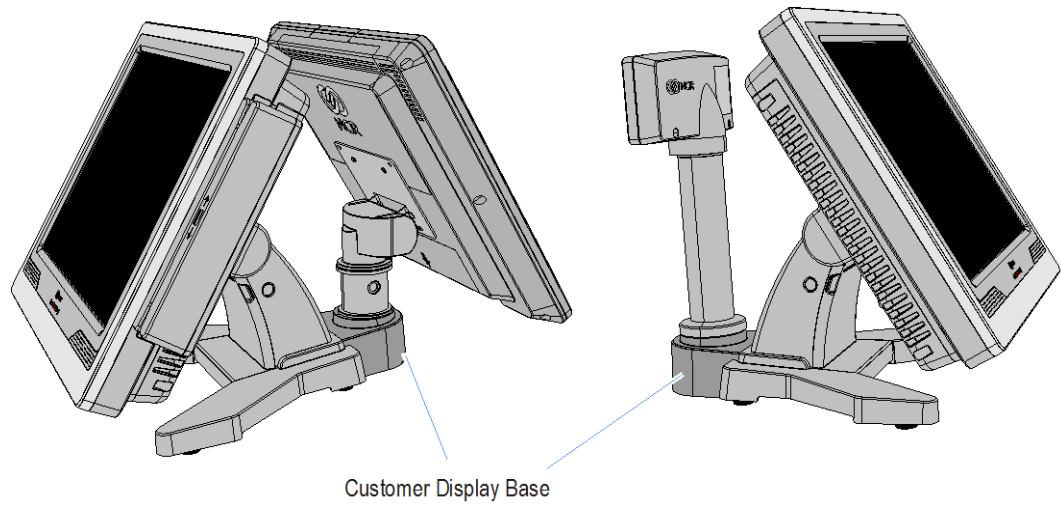
Issue A

Revision Record

Issue	Date	Remarks
A	Feb 2011	First issue

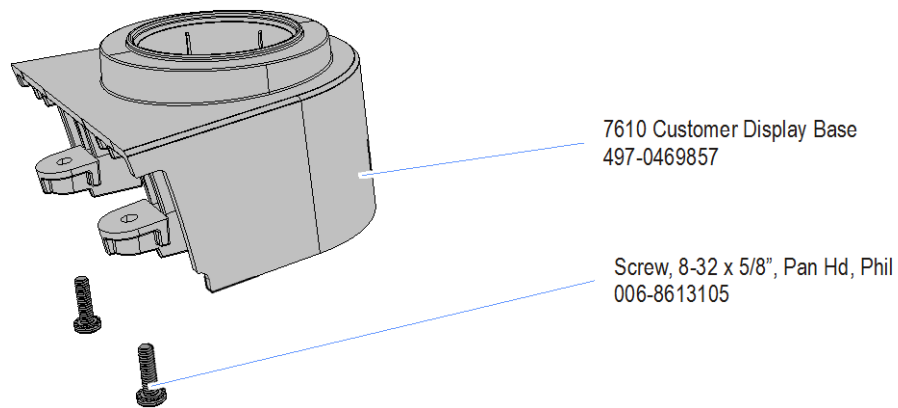
Introduction

This kit provides a display base which attaches to the back of the *Table Top Stand* (7610-K320). It supports the *5975 2x20 VFD Display Pole* (5975-K834/K836) and the *LCD Customer Display Tilt Mount* (7610-K453).



29174

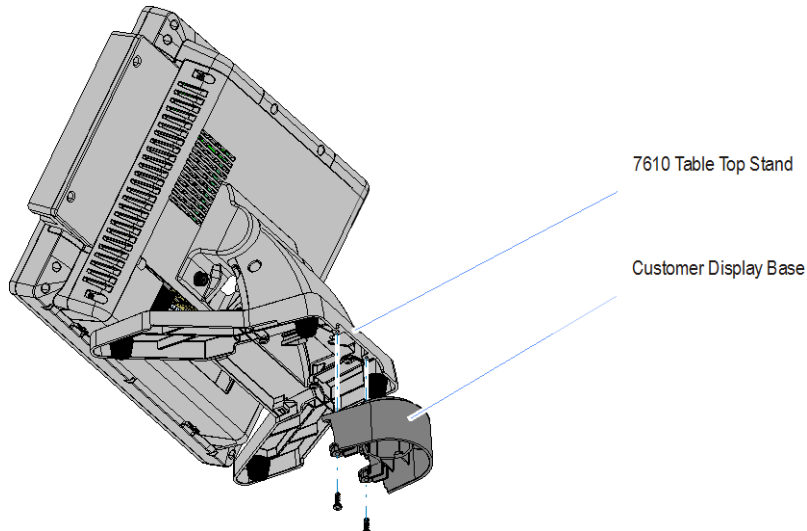
Components



29173

Installing a 2x20 Display

1. Install the Customer Display Base on the back of the *7610 Table Top Stand* (7610-K320). Secure it with screws (2).

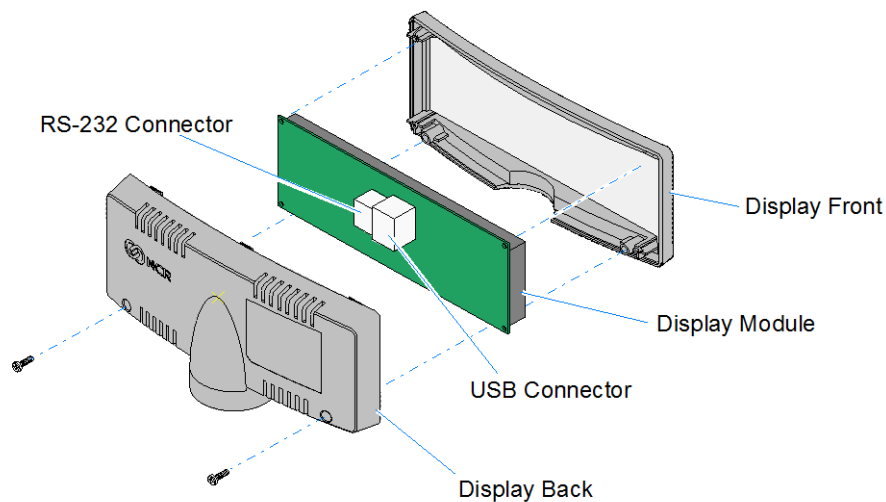


29179

2. Connect the Display Cable to the Display Module.

Note: The RS-232 (or USB) cable can be connected to the Display Module **without** disassembling the Display Assembly by extending the end of the cable into the post opening and connecting it to the proper connector, or if you find this difficult you can disassemble the Display Assembly as follows.

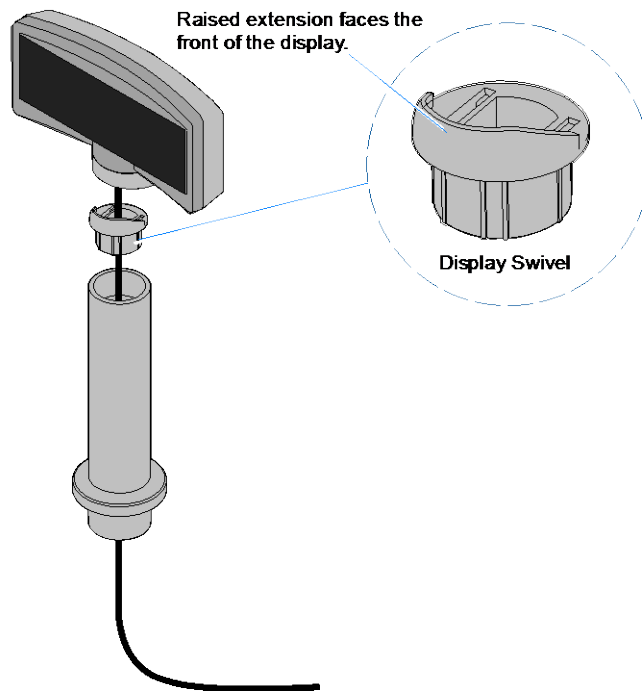
- a. Remove the screws (2) from the Display Back.
- b. Remove the Display Back.
- c. Route the Interface Cable through the opening in the Display Back.
- d. Connect the cable to the proper connector on the Display Module.



22909

- e. Reassemble the Display Assembly.

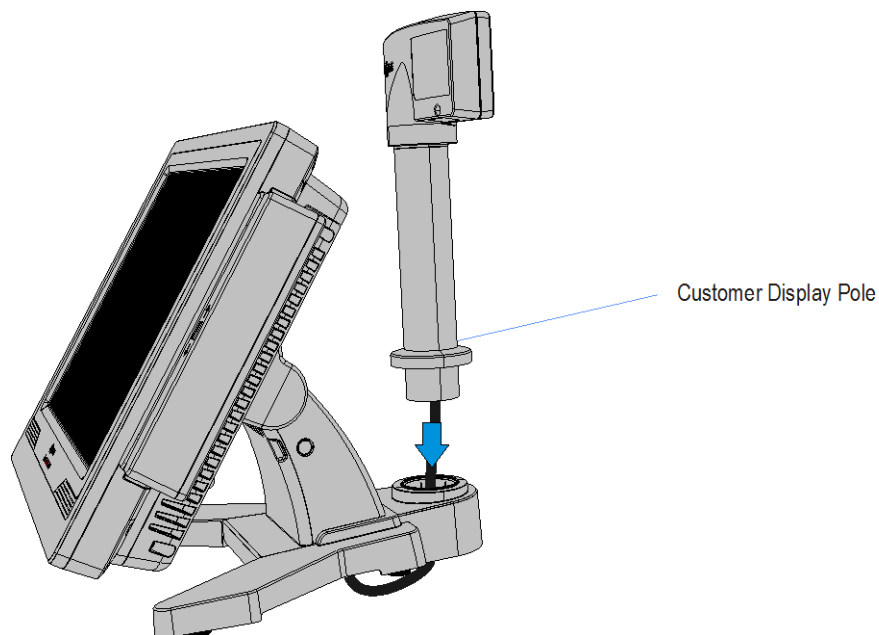
3. Route the cable through the Customer Display Pole.
4. Assemble the components as shown below. Note that the raised extension of the Display Swivel is oriented toward the front of the unit, which permits the Display to be tilted to the rear.



29260

5. Insert the Display Pole into the Customer Display Base.
6. Connect the Display Cable to the terminal.

Note: The Display Cable should be routed up through the Table Top Stand to the host terminal.



29274

RS-232 Interface (Powered)

Connect the I/F cable to a powered RS-232 connector on the terminal.

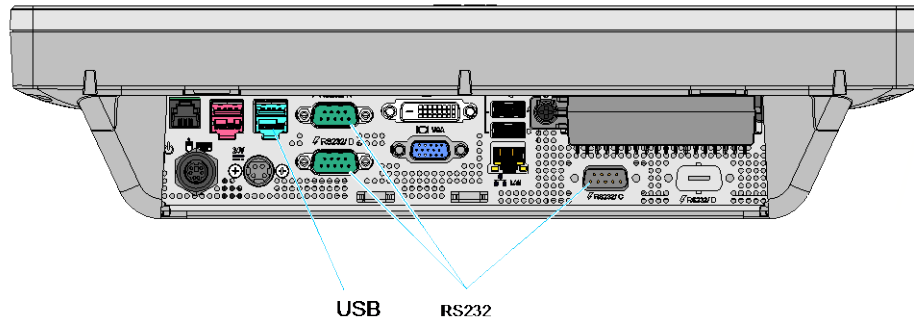
Note: The factory default settings for the COM1 and COM2 ports are *powered* by default. To change a port to non-powered see the Circuit Boards chapter in the *Hardware Service Guide*.

Configure the terminal serial port as follows:

9600 baud, 8 data bits, 1 start bit, 1 stop bit, No parity

USB Interface (Powered)

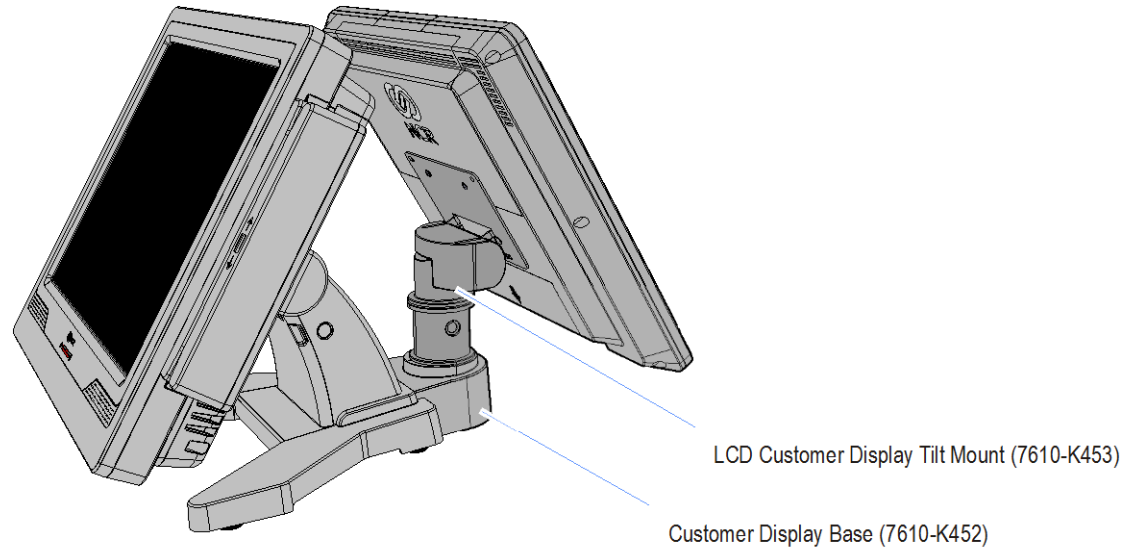
Connect the I/F cable to a powered 12V Powered USB connector on the terminal.



29232

Installing an LCD Display

For installation procedures for mounting an LCD display see the *LCD Customer Display Tilt Mount Kit Instructions (7610-K453)*.



29175