

7610-K027

Enhanced Integration Tray Display Mount

Kit Instructions

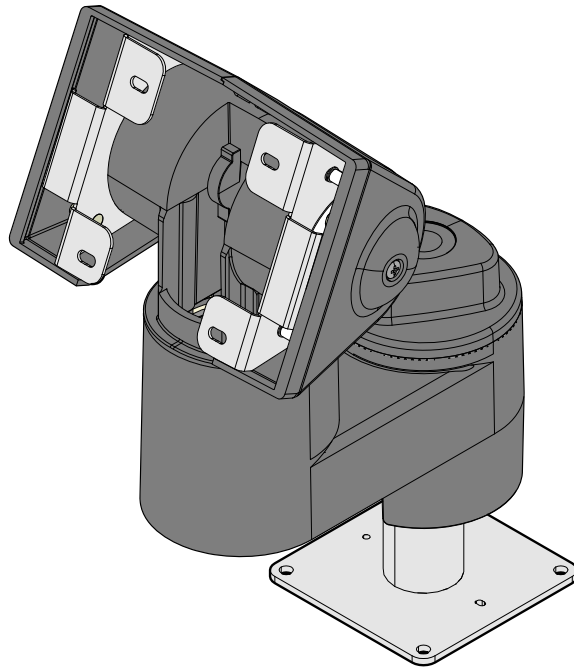


Issue A

Revision Record

Issue	Date	Remarks
A	Mar 2011	First issue

This kit provides a mount for integrating displays that have Vesa mount patterns on an NCR terminal Integration Tray.



29466a

There are two versions of this mount.

Kit No.	Description
5964-K907	Enhanced Integration Tray Display Mount (Beige)
7610-K027	Enhanced Integration Tray Display Mount (Black)

Install the display assembly in the terminal. See the *Peripheral Integration Tray Kit Instructions* for the terminal you are installing the display for instructions how to complete the installation.