

7409-K502

Flush Wall Mount

Kit Instructions



Issue A

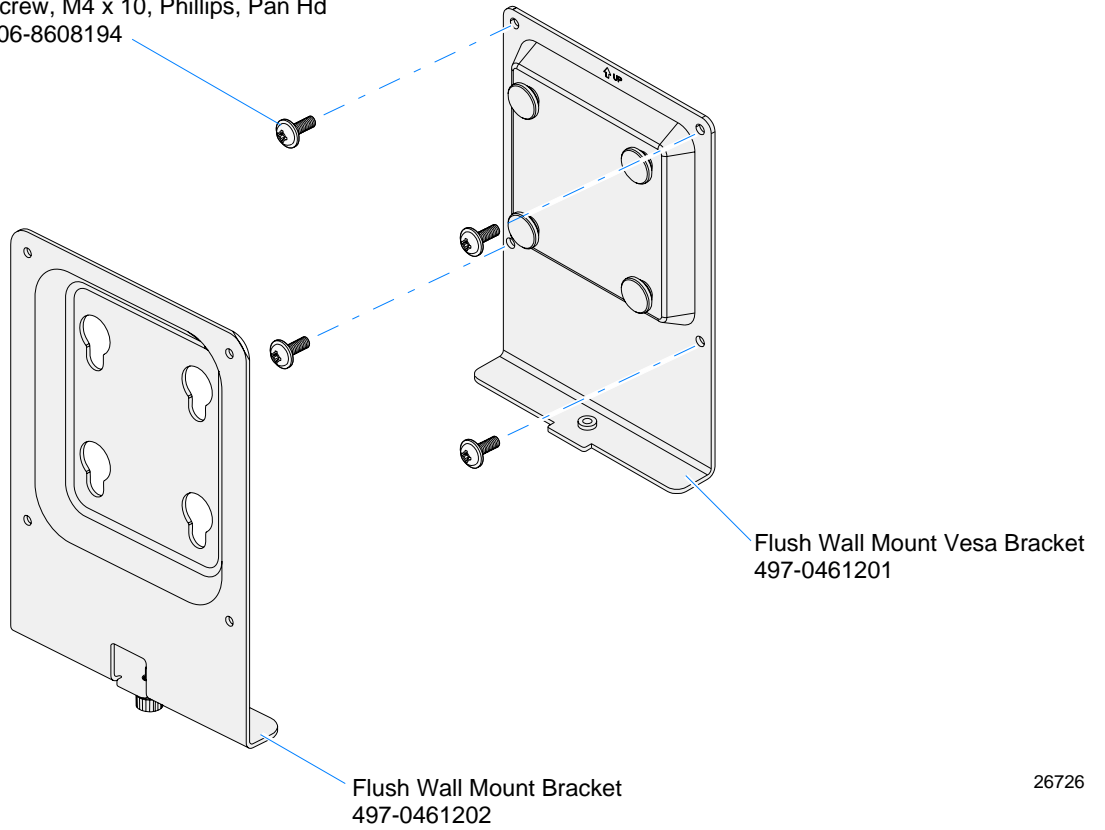
Revision Record

Issue	Date	Remarks
A	Nov 2008	First issue

Introduction

This kit is used in to secure a 7409 on a vertical surface.

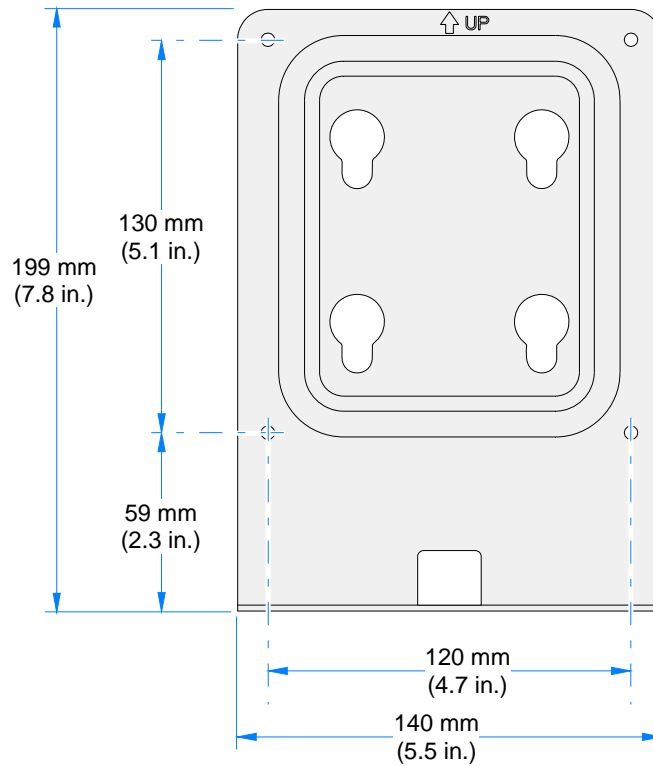
Screw, M4 x 10, Phillips, Pan Hd
006-8608194



Installation Procedure

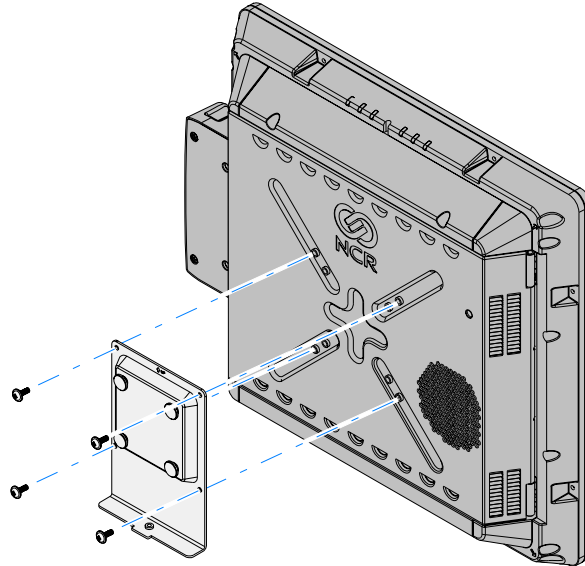
1. Secure the Wall Mount Bracket (with arrow pointing up) to vertical surface using lag screws (4). Make sure you install the screws into the studs or that you use hardware of similar strength. Use the bracket as a template to mark the location of the holes or use the dimensions shown below.

Note: The recommended viewing height for the terminal is 1.2 m (48 in.) from the floor.



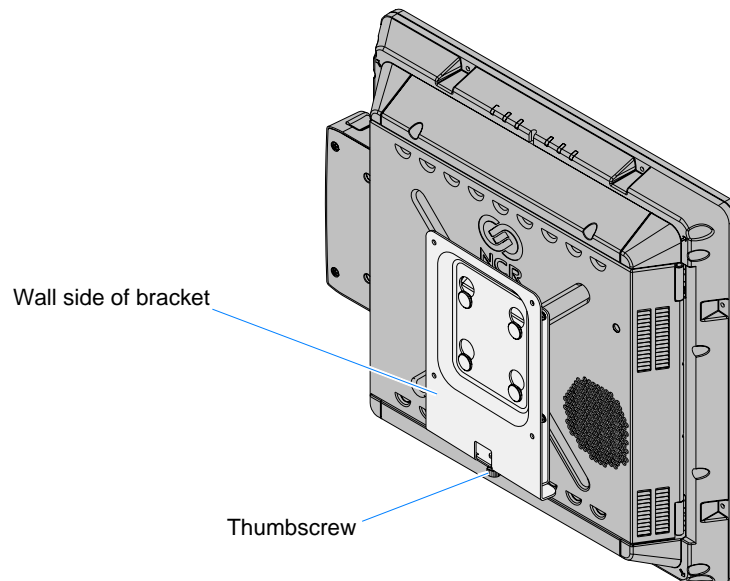
2. Install the Vesa Bracket on the back of the 7409 with the supplied screws (4).

Note: The screws are not part of the kit but are included with the terminal. Remove them from the back panel for use.



26726

3. Hang the 7409 on the Wall Bracket
 - a. Insert the mushroom studs on the Vesa Bracket into the elongated slots on the Wall Bracket.
 - b. Move the terminal downward to lock the brackets together.
 - c. Secure the brackets with the thumbscrew.



26728