

Serial Cables, Dual

NCR POS XR8 (7607)



7607-K495
Issue A



The product described in this document is a licensed product of NCR Corporation.

NCR is a registered trademark of NCR Corporation. Product names mentioned in this publication may be trademarks or registered trademarks of their respective companies and are hereby acknowledged.

Where creation of derivative works, modifications or copies of this NCR copyrighted documentation is permitted under the terms and conditions of an agreement you have with NCR, NCR's copyright notice must be included.

It is the policy of NCR Corporation (NCR) to improve products as new technology, components, software, and firmware become available. NCR, therefore, reserves the right to change specifications without prior notice.

All features, functions, and operations described herein may not be marketed by NCR in all parts of the world. In some instances, photographs are of equipment prototypes. Therefore, before using this document, consult with your NCR representative or NCR office for information that is applicable and current.

To maintain the quality of our publications, we need your comments on the accuracy, clarity, organization, and value of this book. Please use the link below to send your comments.

Email: FD230036@ncr.com

Copyright © 2021
By NCR Corporation
Global Headquarters
864 Spring St NW
Atlanta, GA 30308
U.S.A.
All Rights Reserved

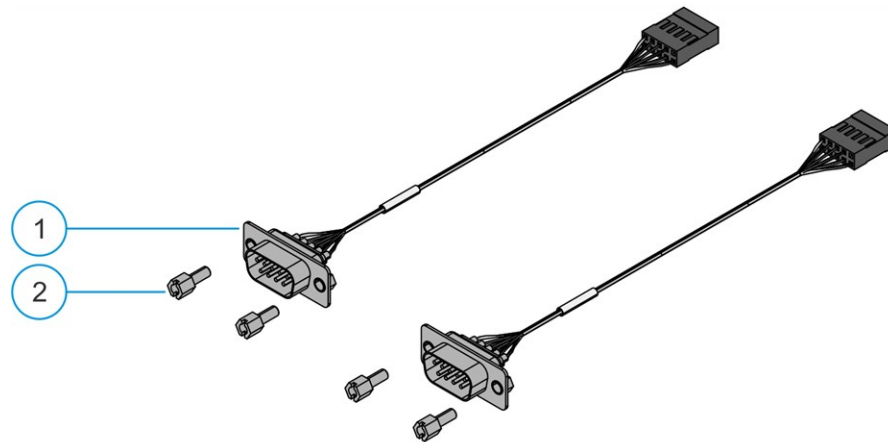
Revision Record

Issue	Date	Remarks
A	Aug 2021	First Issue

Serial Cables, Dual

This kit provides a two Serial Cables for the NCR POS XR8 (7607).


Kit Contents



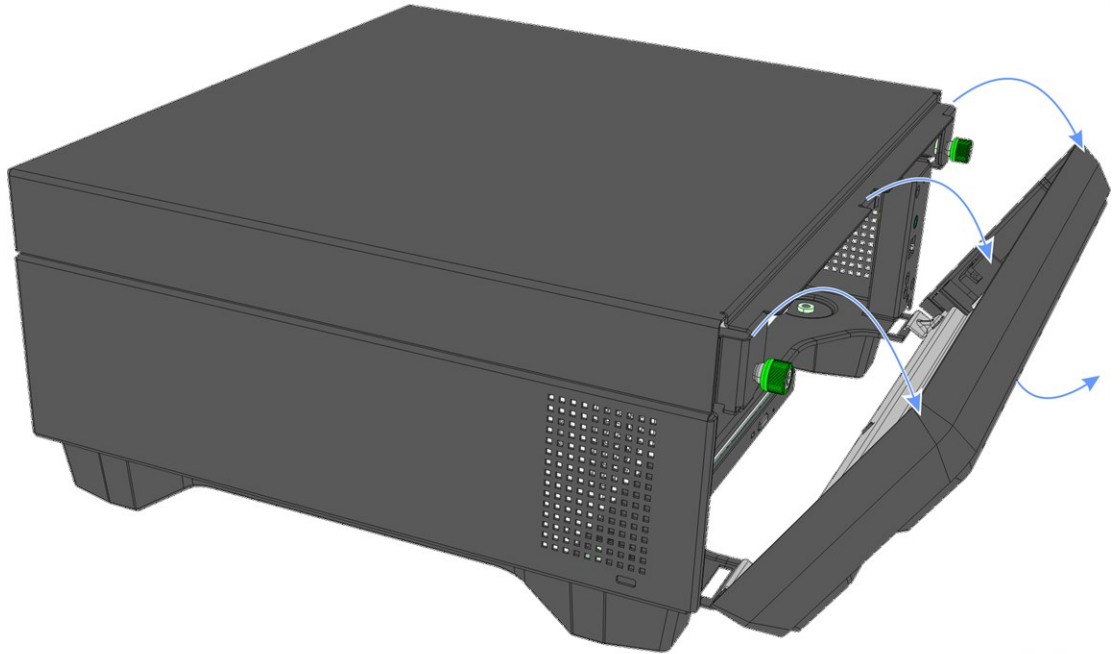
CCP-81538

Item	Part Number	Description
1	497-0508746	Cable, RS232, Panel Mount
2	006-8613209	Screw, Standoff, #4 - 40 x .187 x .462, Hex, Male/Female, with Slot, Nickel

Installation Procedure

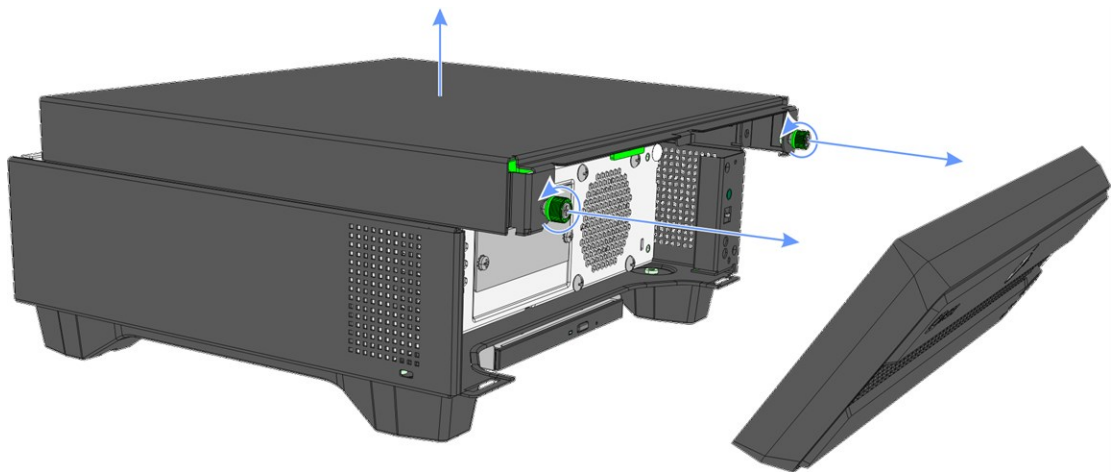
 **Warning:** Disconnect the power cable before disassembling the terminal.

1. Turn the key clockwise and pull down the Front Bezel Plate to remove it from the terminal case.



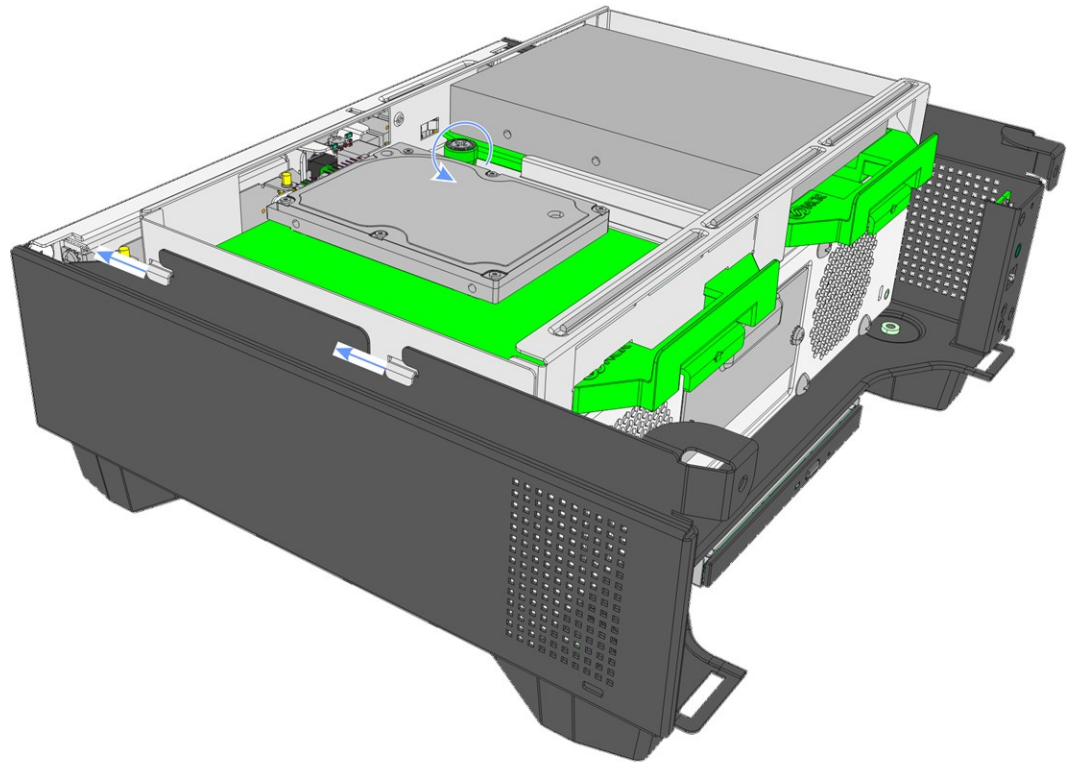
ATL-34095

2. Remove the Top Cover.
 - a. Loosen the two thumbscrews connecting the Top Cover to the terminal.
 - b. Slide the Top Cover forward and lift to remove.



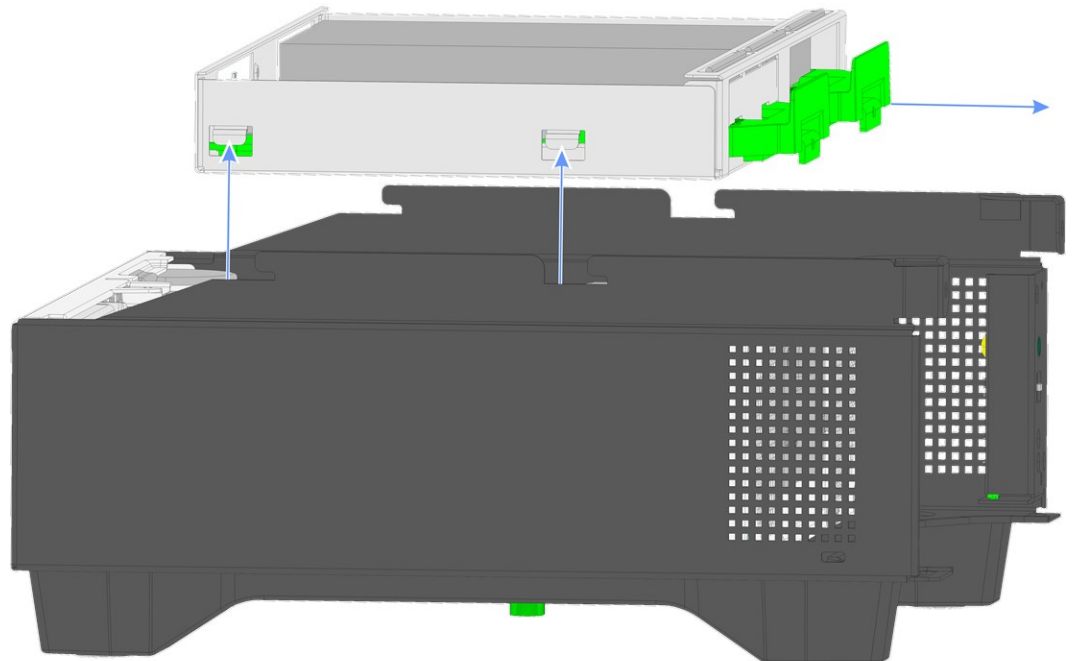
ATL-34096

3. Remove the Hard Drive Tray.
 - a. Loosen the thumbscrew and slide the Hard Drive Tray back to disengage the hooks.



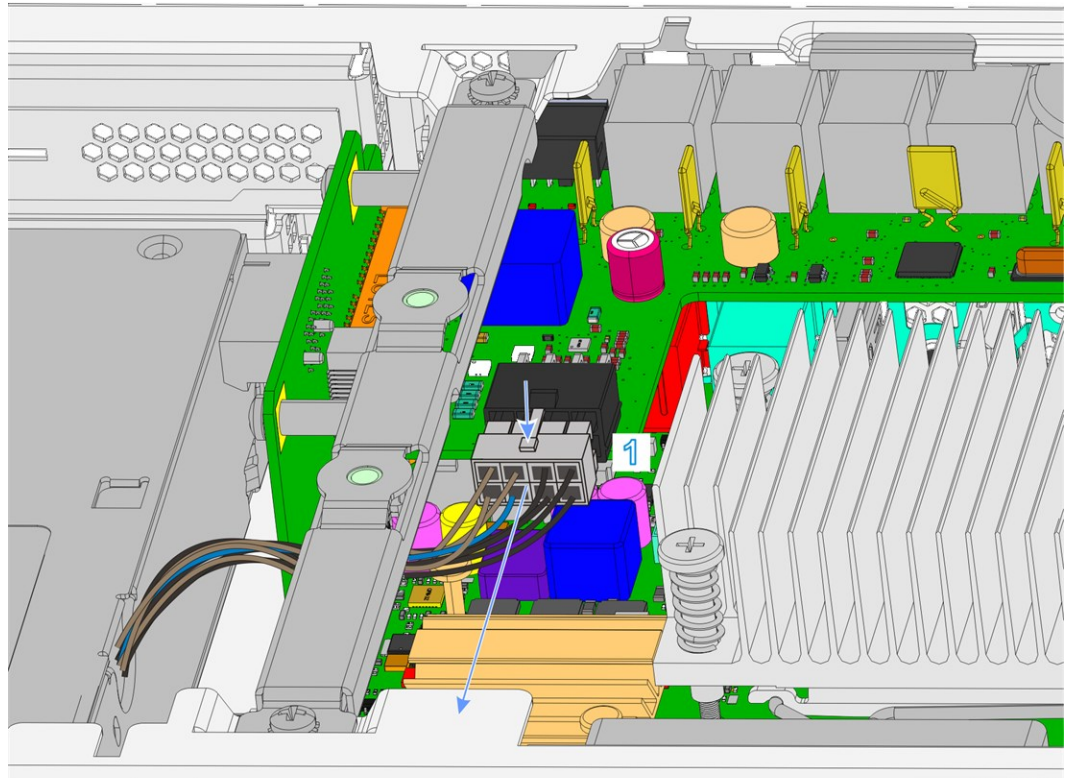
ATL-34098

- b. Gently lift the Tray from the terminal case.



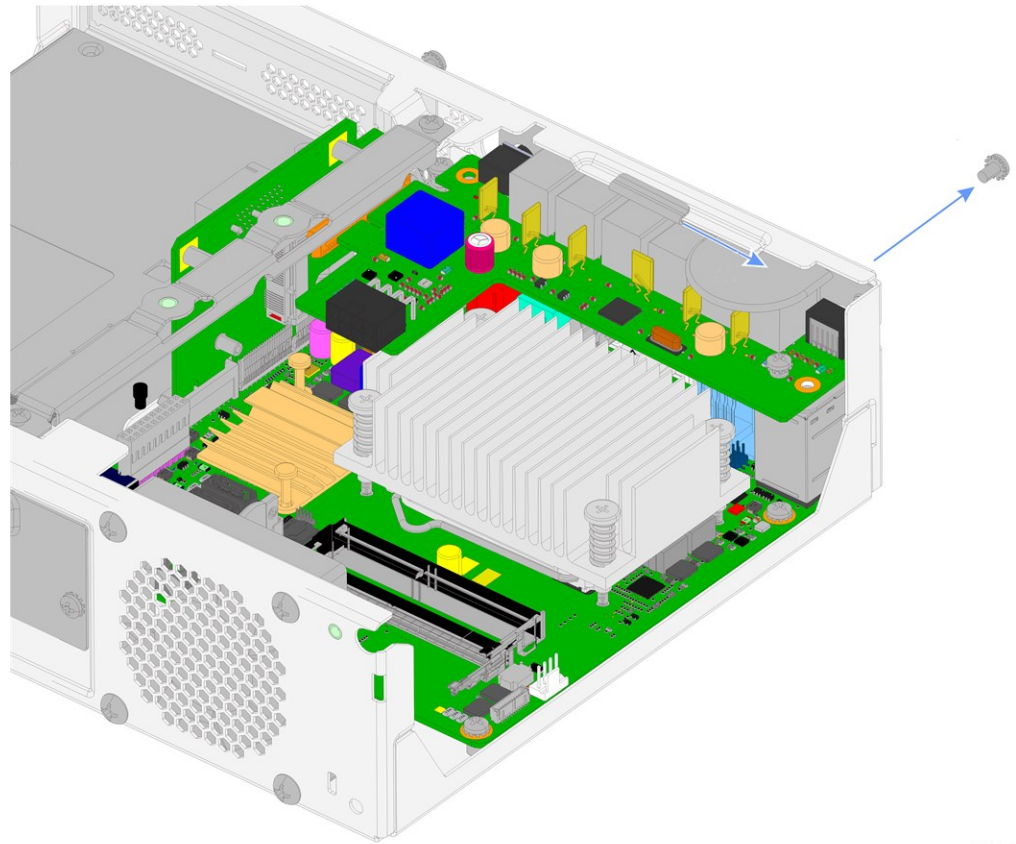
ATL-34099

4. Move the Tray toward the LED board side of the terminal case and place back down on the case.
5. Remove the Daughter Card.
 - a. Disconnect the power supply connector from the Daughter Card.



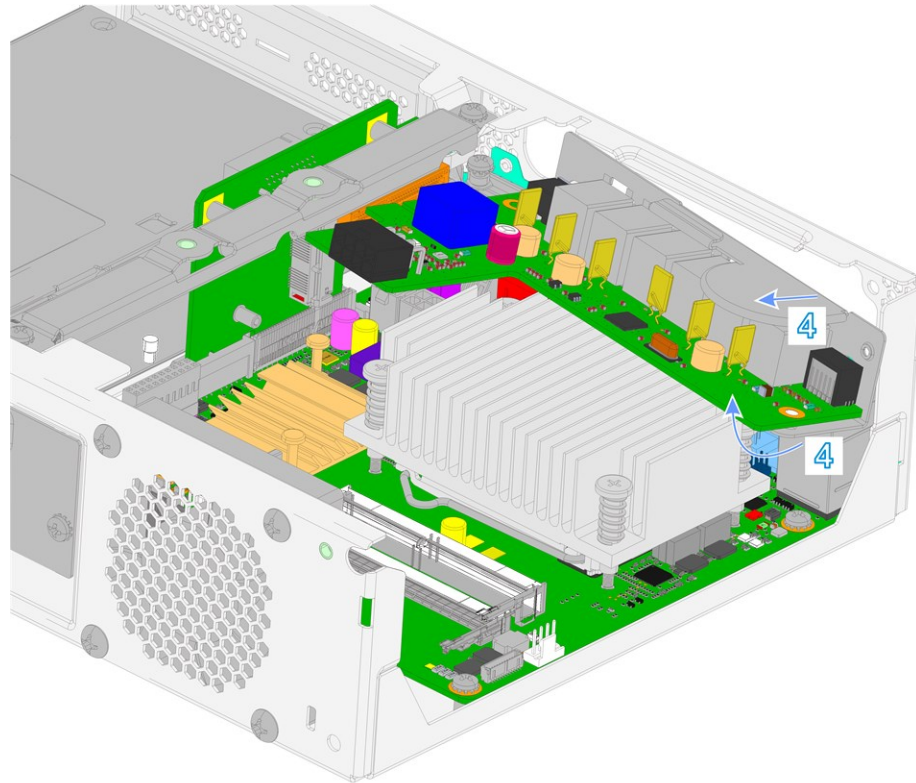
ATL-34104

- b. Unscrew the Daughter Card from the sled on the ports side of the sled.
- c. Slide the Daughter Card sideways from the riser card until it detaches.



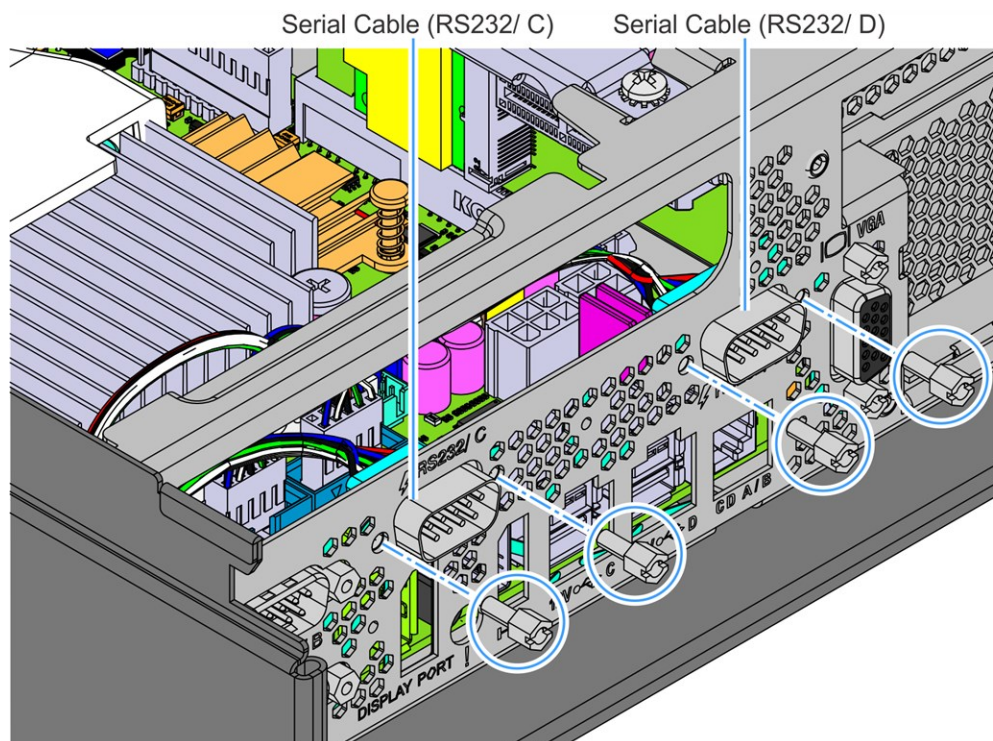
ATL-34127

- d. Push the Daughter Card slightly back until the bracket clears the edge of the sled and gently lift the Card from the sled.



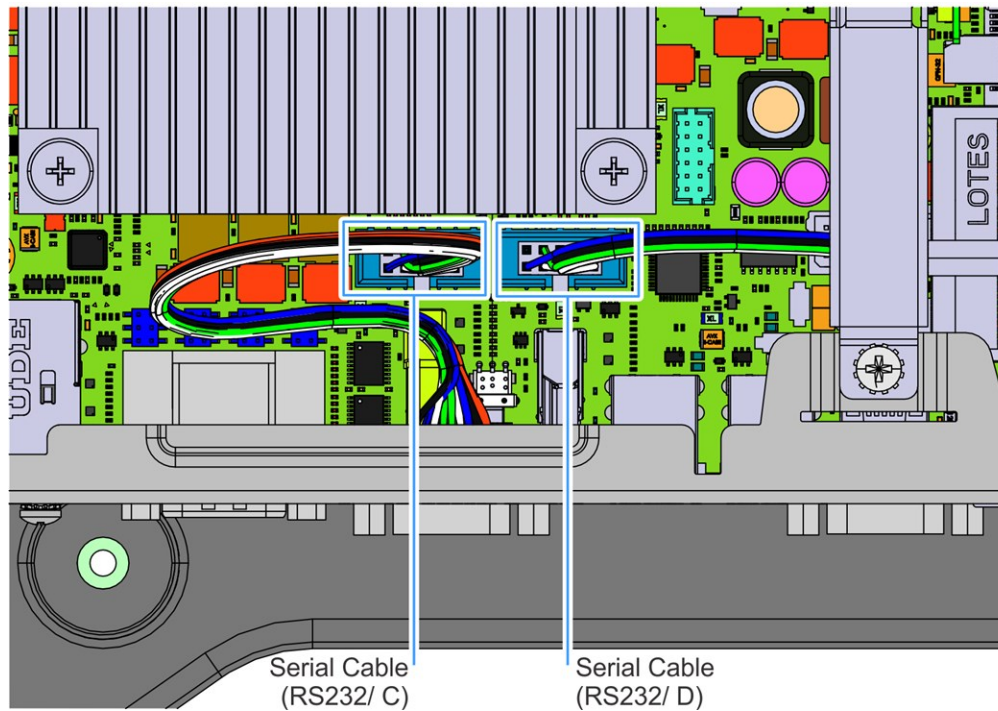
ATL-34105a

6. Install the Serial Cables on the inside of the chassis (2 hex standoff screws per Serial Cable).



CCP-81542

7. Connect the Cables to the Motherboard. Ensure to connect the respective cables to the correct ports as shown below. Push the excess Serial Cable down below the height of the heatsink to provide clearance when the Daughter Card is reinstalled.



CCP-81543

8. Reinstall the Daughter Card.
9. Reinstall the Hard Drive Tray.
10. Reinstall the Top Cover.
11. Reinstall the Front Bezel Plate.