

Secondary Drive

NCR POS XR8 (7607)

7607-K241/K243/K245/K261/K263
Issue A



The product described in this document is a licensed product of NCR Corporation.

NCR is a registered trademark of NCR Corporation. NCR POS is a trademark of NCR Corporation in the United States and/or other countries. Other product names mentioned in this publication may be trademarks or registered trademarks of their respective companies and are hereby acknowledged.

The terms HDMI and HDMI High-Definition Multimedia Interface, and the HDMI Logo are trademarks or registered trademarks of HDMI Licensing LLC in the United States and other countries.

Where creation of derivative works, modifications or copies of this NCR copyrighted documentation is permitted under the terms and conditions of an agreement you have with NCR, NCR's copyright notice must be included.

It is the policy of NCR Corporation (NCR) to improve products as new technology, components, software, and firmware become available. NCR, therefore, reserves the right to change specifications without prior notice.

All features, functions, and operations described herein may not be marketed by NCR in all parts of the world. In some instances, photographs are of equipment prototypes. Therefore, before using this document, consult with your NCR representative or NCR office for information that is applicable and current.

To maintain the quality of our publications, we need your comments on the accuracy, clarity, organization, and value of this book. Please use the link below to send your comments.

Email: FD230036@ncr.com

Copyright © 2021
By NCR Corporation
Global Headquarters
864 Spring St NW
Atlanta, GA 30308
U.S.A.
All Rights Reserved

Revision Record

Issue	Date	Remarks
A	Aug 2021	First Issue

Secondary Drive

The following Secondary Drive options are available for Release 1.x and 2.x of NCR POS XR8 (7607):

- **7607-K241-V003** — SSD, Secondary, 120GB, SATA, 2.5"
- **7607-K243-V001*** — SSD, Secondary, 240GB, SATA, 2.5"
- **7607-K245-V001*** — SSD, Secondary, 480GB, SATA, 2.5"
- **7607-K261-V001** — HDD, Secondary, 500GB, SATA, 3.5", 4KByte
- **7607-K263-V001** — HDD, Secondary, 1TB, SATA, 3.5", 4KByte

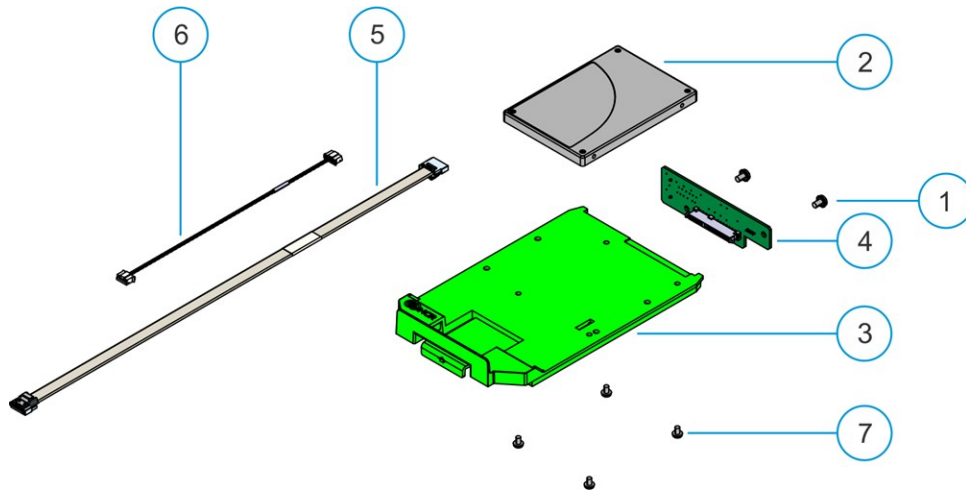


Note: K243 and K245 are for Second Drive Ready XR8 (XR8 is already installed with a SATA Board, SATA Power Cable, and SATA Data Cable) only.

Kit Contents

SSD

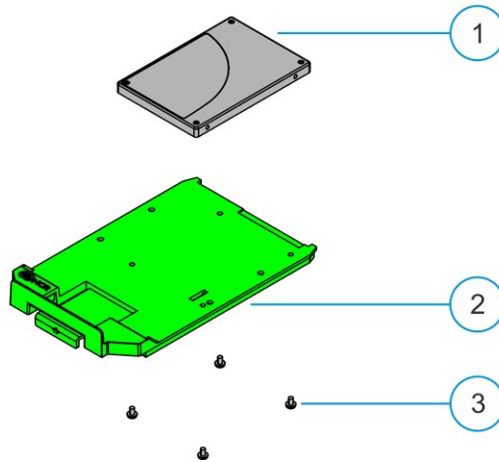
K241



CCP-79953

Item	Part Number	Description
K241 SSD, Secondary, 120GB, SATA, 2.5"		
1	006-8611016	Screw, 6-32x0.250, SEMS, Phillips, Pan Head, Steel, Zinc
2	006-8627916	120GB SSD, 2.5" BiCs4
3	497-0507791	Bracket - HDD Individual Tray, XR8
4	497-0508786	PCBA - SATA Board, XR8
5	497-0509861	Cable - SATA, Data
6	497-0508797	Cable - SATA, Power
7	006-8611658	Screw, M3x5, SEMS, Phillips, Pan Head, Steel, Zinc

K243 / K245

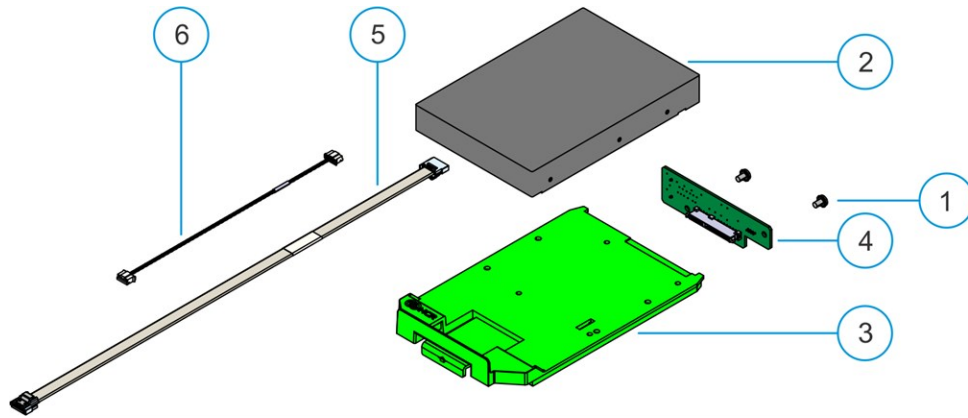


CCP-79954

Item	Part Number	Description
K243 SSD, Secondary, 240GB, SATA, 2.5"		
1	006-8627917	240GB SSD, 2.5" BiCs4
2	497-0507791	Bracket - HDD Individual Tray, XR8
3	006-8611658	Screw, M3x5, SEMS, Phillips, Pan Head, Steel, Zinc
K245 SSD, Secondary, 480GB, SATA, 2.5"		
1	006-8627918	480GB SSD, 2.5" BiCs4
2	497-0507791	Bracket - HDD Individual Tray, XR8
3	006-8611658	Screw, M3x5, SEMS, Phillips, Pan Head, Steel, Zinc

HDD


K261 / K263



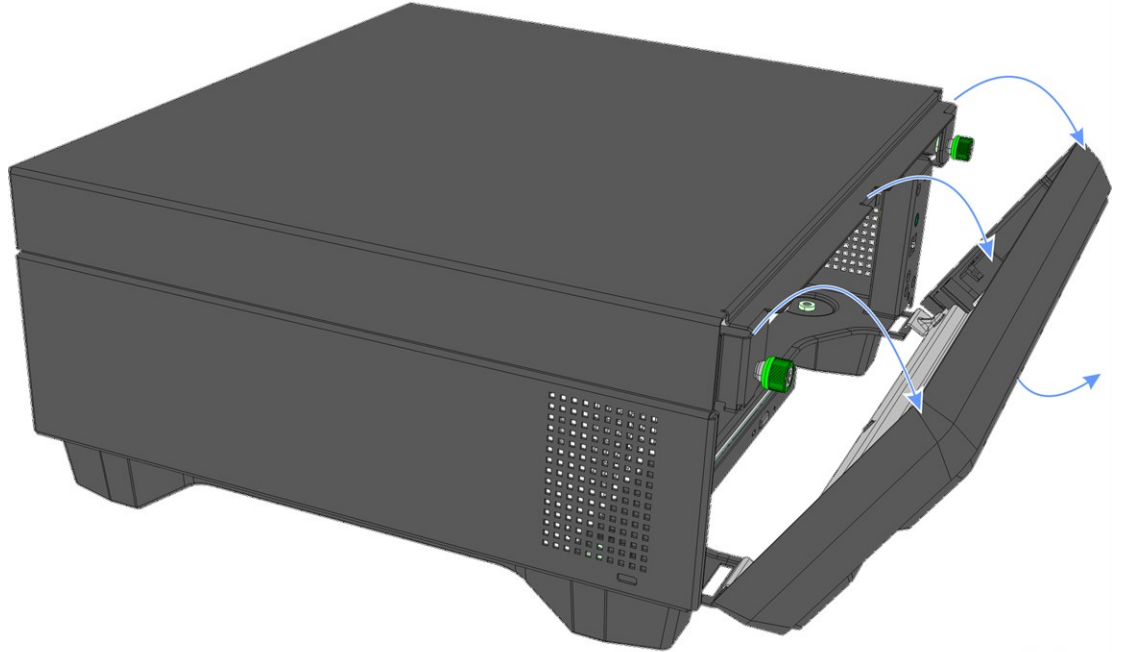
CCP-79955

Item	Part Number	Description
K261 HDD, Secondary, 500GB, SATA, 3.5", 4KByte		
1	006-8611016	Screw, 6-32x0.250, SEMS, Phillips, Pan Head, Steel, Zinc
2	006-8625128	Hard Drive - 3.5" Seagate Pharaoh Oasis, SATA, 500GB
3	497-0507791	Bracket - HDD Individual Tray, XR8
4	497-0508786	PCBA - SATA Board, XR8
5	497-0509861	Cable - SATA, Data
6	497-0508797	Cable - SATA, Power
K263 HDD, Secondary, 1TB, SATA, 3.5", 4KByte		
1	006-8611016	Screw, 6-32x0.250, SEMS, Phillips, Pan Head, Steel, Zinc
2	006-8624855	HDD - Primary, 1TB, SATA, 3.5", 4KBytes
3	497-0507791	Bracket - HDD Individual Tray, XR8
4	497-0508786	PCBA - SATA Board, XR8
5	497-0509861	Cable - SATA, Data
6	497-0508797	Cable - SATA, Power

Installation Procedure

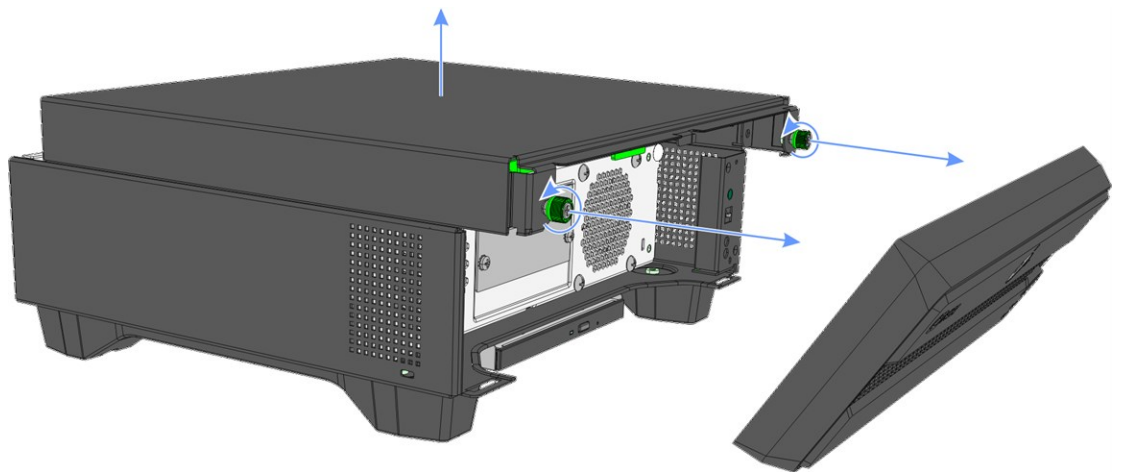
 **Warning:** Disconnect the power cable before disassembling the terminal.

1. Turn the key clockwise and pull down the Front Bezel Plate to remove it from the terminal case.



ATL-34095

2. Remove the Top Cover.
 - a. Loosen the two thumb screws connecting the Top Cover to the terminal.
 - b. Slide the Top Cover forward and lift to remove.

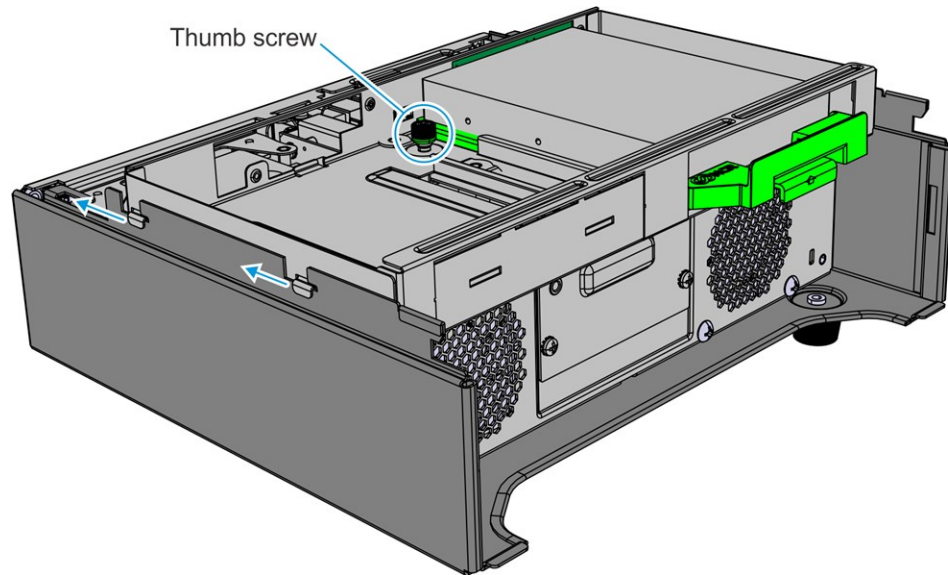


ATL-34096

3. Install the Secondary Drive.

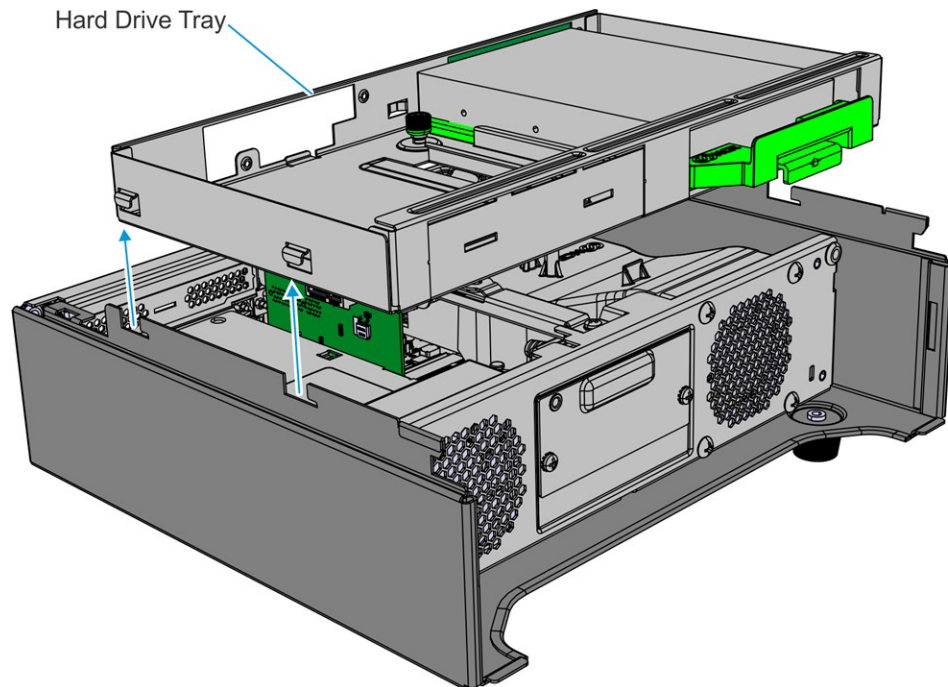
For K241/K261/K263

- a. Loosen the thumb screw and slide the Hard Drive Tray back to disengage the hooks.



CCP-79956

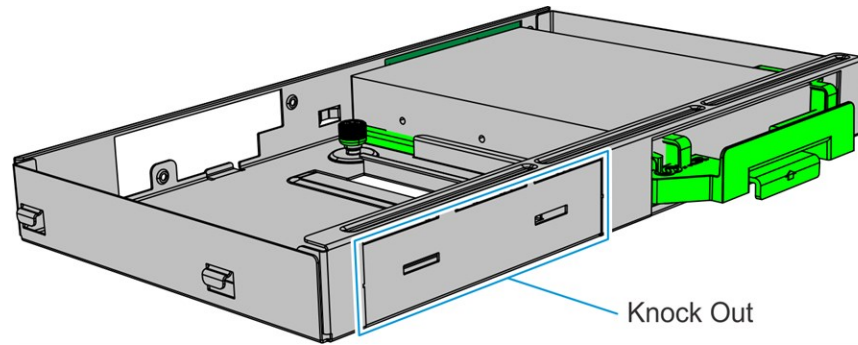
- b. Gently lift the Hard Drive Tray from the terminal case.



CCP-79957

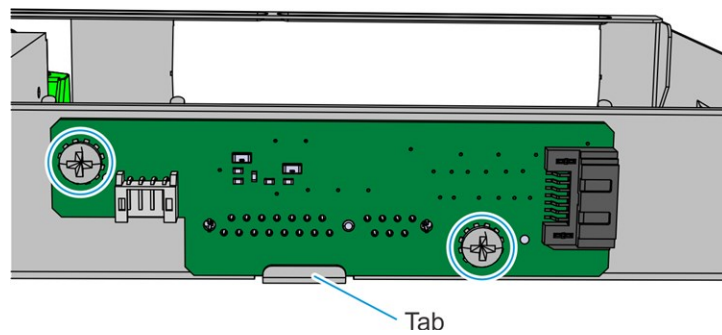
- c. Rest the Hard Drive Tray on the terminal case in a position that allows access to the SATA Power and SATA Data connectors on the Motherboard.

- d. Use a flat head screwdriver to remove the Knock Out from Drive 1 of the Hard Drive Tray.



CCP-79958

- e. Position the SATA Board on the SATA Board opening of the Hard Drive Tray. Ensure the SATA Board sits on the tab and secure the Board with two (2) screws.

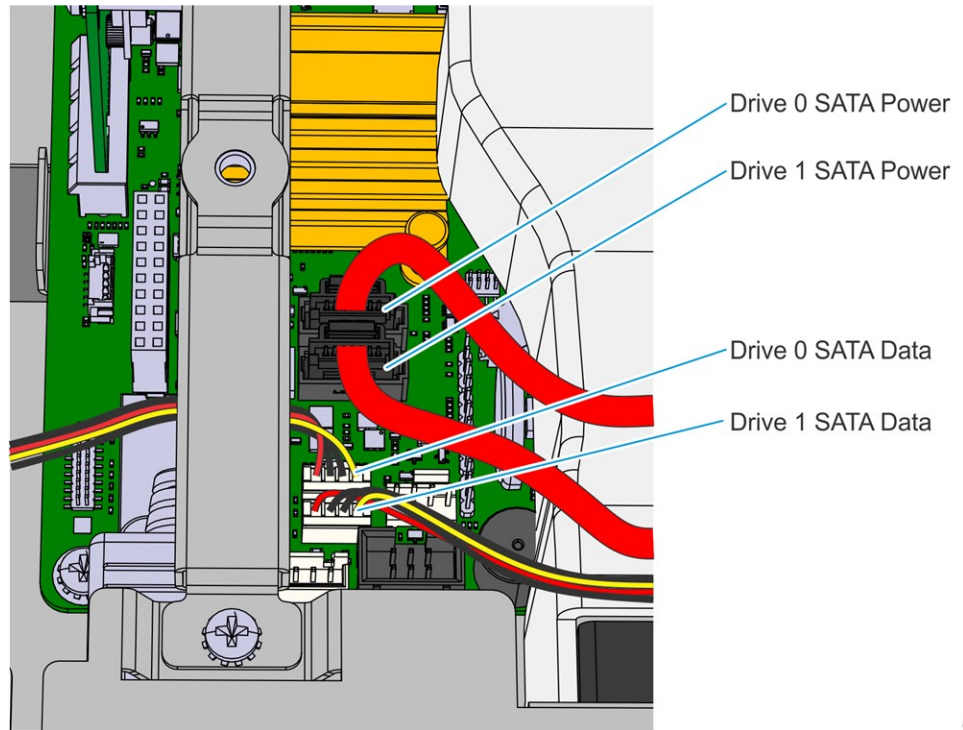


CCP-79959

- f. Connect the Secondary (Drive 1) SATA Power Cable and SATA Data Cable to the Motherboard.

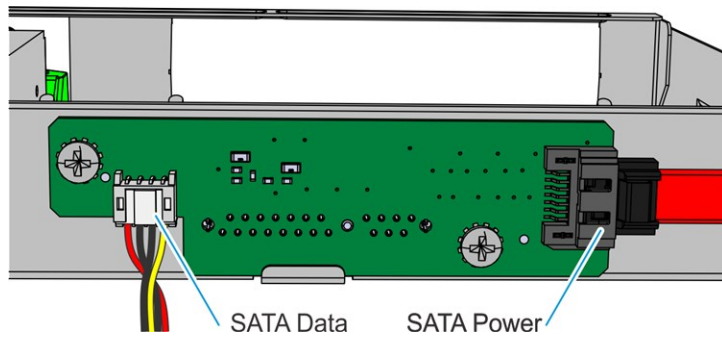


Note: Primary Drive is Drive 0 and Secondary Drive is Drive 1.



CCP-79960

- g. Connect the SATA Power Cable and SATA Data Cable to the SATA Board.



CCP-79961

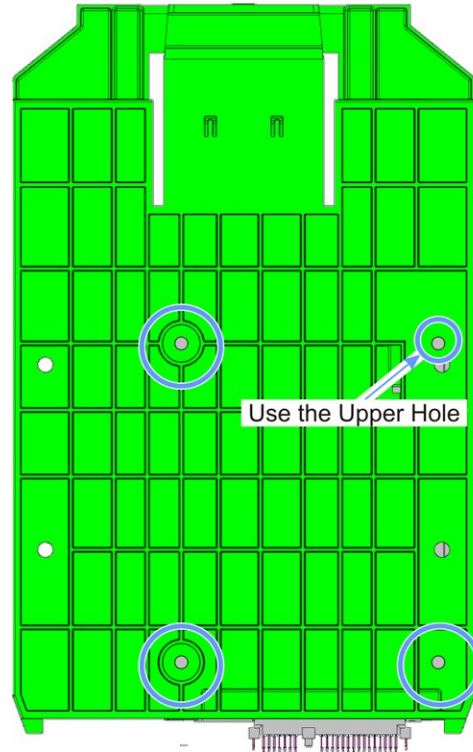
- h. Reinstall the Hard Drive Tray on the terminal case.

- i. Install the Drive to the Plastic Tray using four (4) screws. Refer to the image below for the correct screw configuration according to the Drive type.

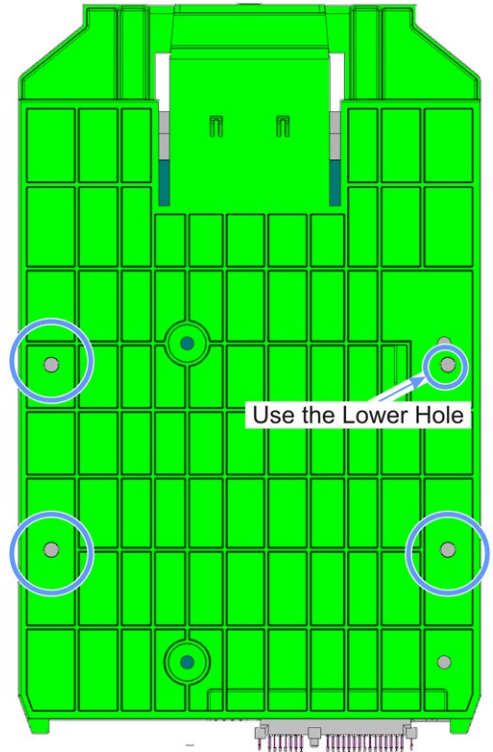


Note: Remember to orient the connection points of the Drive to the back of the Plastic Tray (the tab is the front of the Plastic Tray).

Solid State Drive (SSD) Screw Configuration



Hard Disk Drive (HDD) Screw Configuration



ATL-34086

- j. Slide the Plastic Tray with the new Drive into the Drive 1 slot of the Hard Drive Tray until there is an audible click of the central tab engaging.

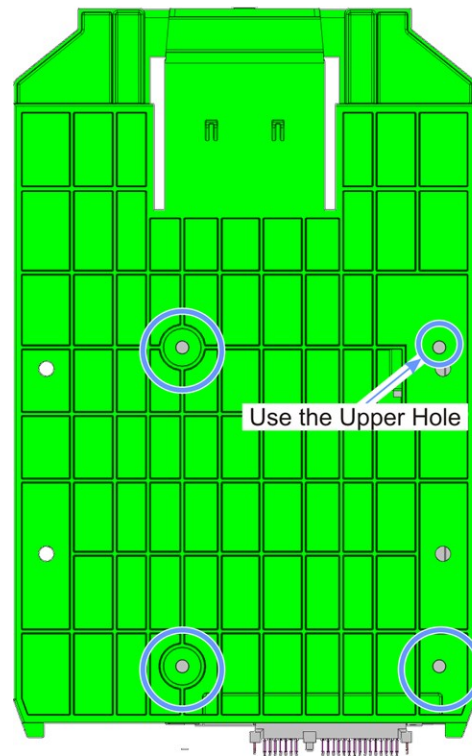
For K243/K245

- a. Install the Drive to the Plastic Tray using four (4) screws. Refer to the image below for the correct screw configuration according to the Drive type.

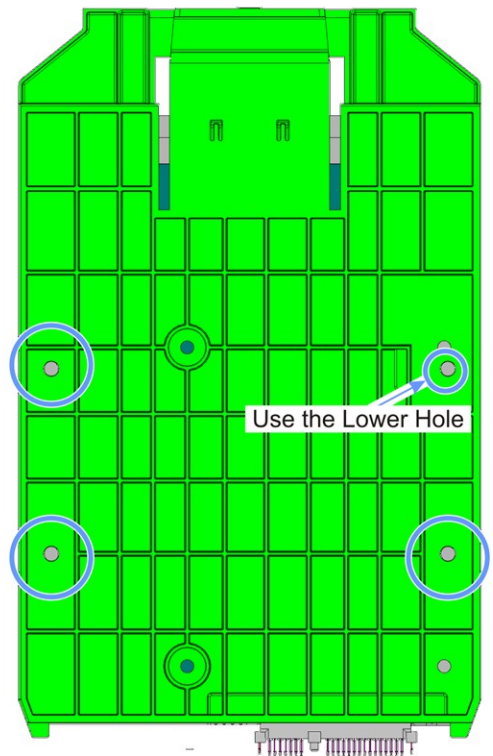


Note: Remember to orient the connection points of the Drive to the back of the Plastic Tray (the tab is the front of the Plastic Tray).

Solid State Drive (SSD) Screw Configuration



Hard Disk Drive (HDD) Screw Configuration



ATL-34086

- b. Slide the Plastic Tray with the new Drive back into the Drive 1 slot of the Hard Drive Tray until there is an audible click of the central tab engaging.
4. Reinstall the Top Cover.
 5. Reinstall the Front Bezel Plate.