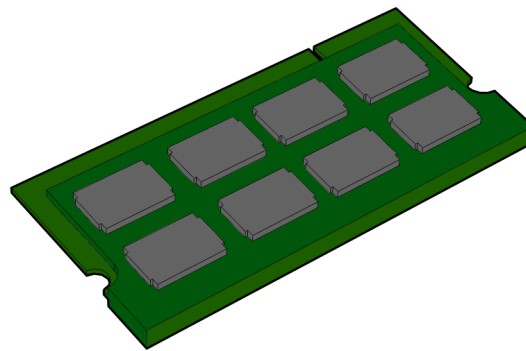


KIT INSTRUCTIONS

Memory Upgrade

Release 1.0



7607-K134/K136/K138
Issue A



The product described in this document is a licensed product of NCR Corporation.

NCR is a registered trademark of NCR Corporation. NCR RealPOS is a trademark of NCR Corporation in the United States and/or other countries. Other product names mentioned in this publication may be trademarks or registered trademarks of their respective companies and are hereby acknowledged.

The terms HDMI and HDMI High-Definition Multimedia Interface, and the HDMI Logo are trademarks or registered trademarks of HDMI Licensing LLC in the United States and other countries.

Where creation of derivative works, modifications or copies of this NCR copyrighted documentation is permitted under the terms and conditions of an agreement you have with NCR, NCR's copyright notice must be included.

It is the policy of NCR Corporation (NCR) to improve products as new technology, components, software, and firmware become available. NCR, therefore, reserves the right to change specifications without prior notice.

All features, functions, and operations described herein may not be marketed by NCR in all parts of the world. In some instances, photographs are of equipment prototypes. Therefore, before using this document, consult with your NCR representative or NCR office for information that is applicable and current.

To maintain the quality of our publications, we need your comments on the accuracy, clarity, organization, and value of this book. Please use the link below to send your comments.

Email: FD230036@ncr.com

Copyright © 2016
By NCR Corporation
Duluth, GA U.S.A.
All Rights Reserved

Revision Record

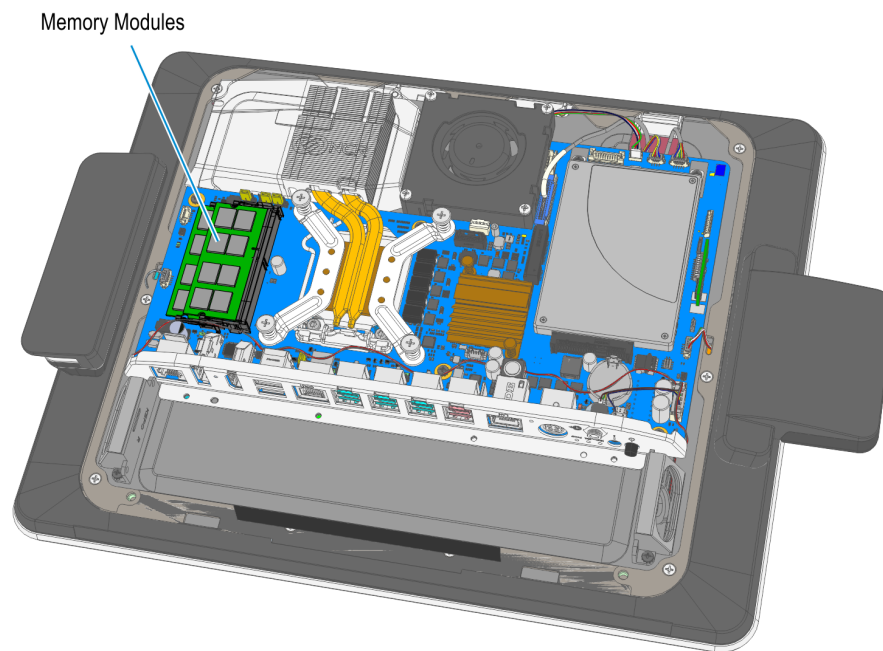
Issue	Date	Remarks
A	Nov 2016	First Issue

Memory Upgrade

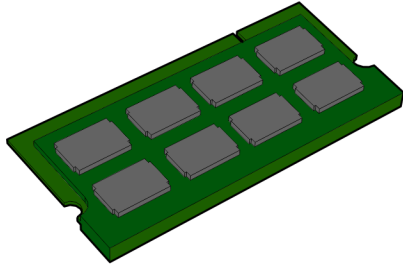
Introduction

This kit provides a memory upgrade for the RealPOS XR7 Plus POS.

The Motherboard contains two SODIMM sockets, stacked one on top of the other. The sockets can be populated with any combination of the supported memory module sizes (4GB, 8GB, 16GB), with a maximum of 32GB total system memory.



Kit Content




33316

Kit Number	Part Number	Description
7607-K134	497-0509803	Memory, 4GB, DDR4-2133MHz, SODIMM
7607-K136	497-0512883	8GB Memory Module DDR4 SODIMM, 1.2V
7607-K138	497-0512885	16GB Memory Module DDR4 SODIMM, 1.2V

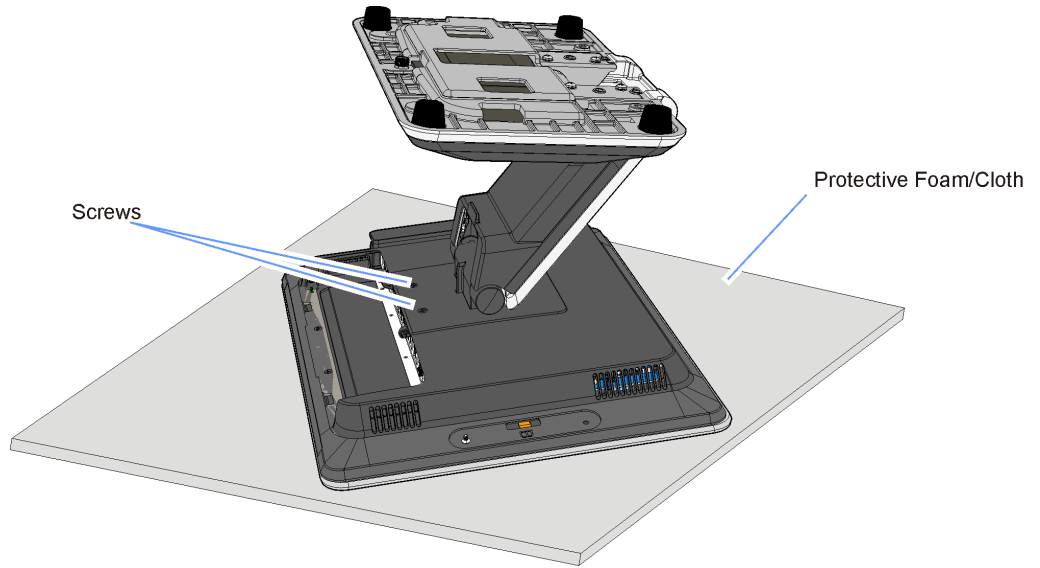
Installation Procedure

1. Lay the terminal face down on a flat surface.

 **Caution:** Always use a soft material (cloth, foam) to protect the display screen when placing the terminal face down.

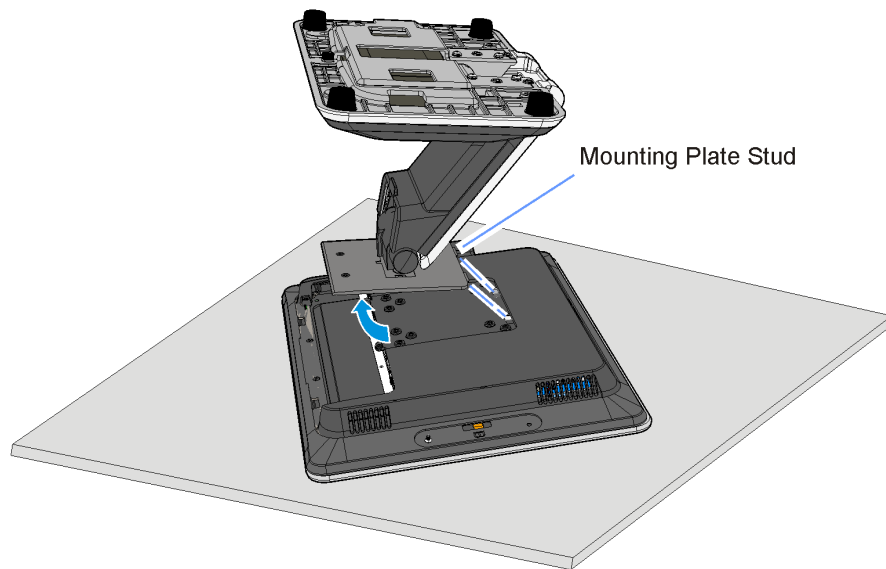
2. Remove the Base Stand.

- a. Remove the screws (2) that secure the Base Stand to the display.



32809

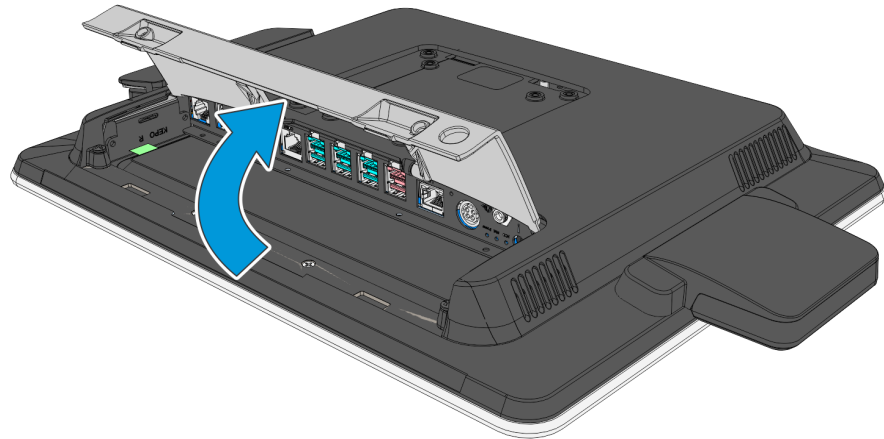
- b. Rotate the Base Stand upwards as shown and remove the Mounting Plate Studs (2) from the openings in the Rear Cover.



32808a

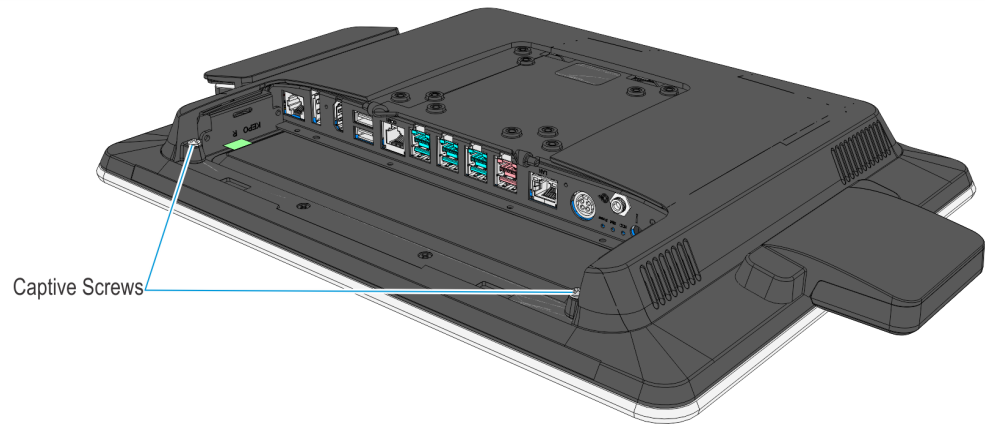
3. Remove the Rear Cover assembly.

- a. Remove the Cable Cover.



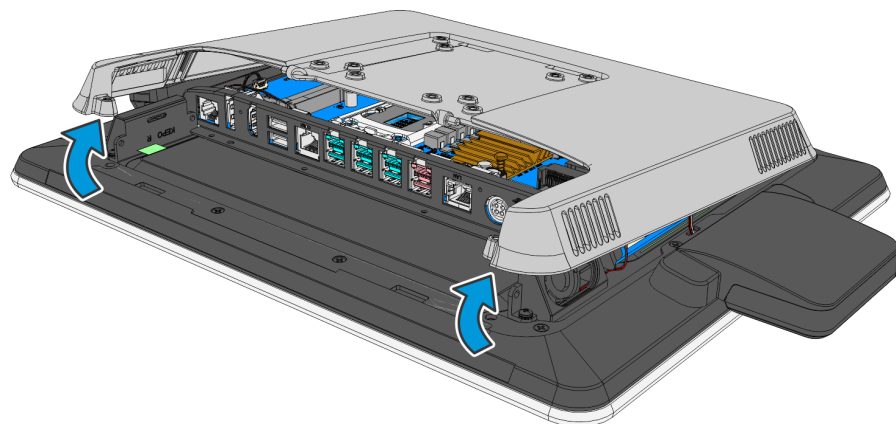
66052

- b. Loosen the captive screws (2) that secure the Rear Cover to the chassis.



66053

- c. Pivot the assembly as shown to remove it.

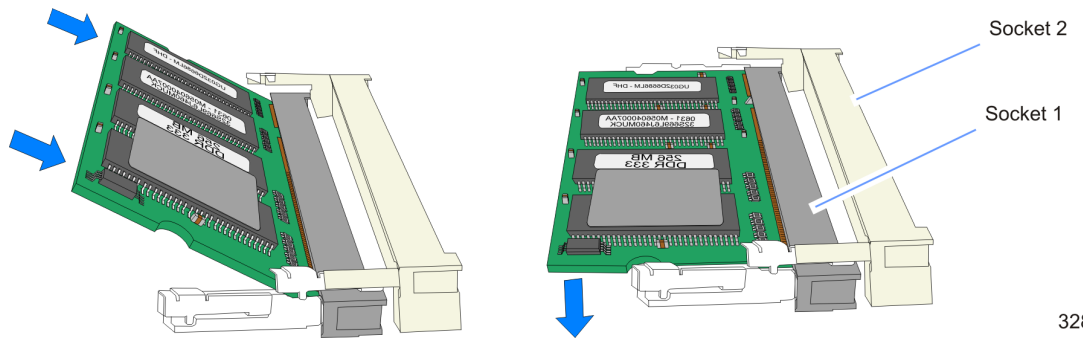


66054

Installing Memory

Memory configurations containing a single memory module should be installed in the lower socket (Socket 1). Memory can be expanded by installing a second module in the upper socket (Socket 2).

1. To install a module, align it with the socket and push it into the socket (the socket is keyed).
2. Press the module down until it latches in position. Ensure that the edges of the module engage the latches and that the latches are completely engaged.



32844

3. After powering up the terminal, re-flash the SPI/BIOS to ensure the latest version is installed and verify that the terminal is fully functional (see the BIOS Updating Procedures chapter in the *NCR RealPOS XR7 Plus (7703) User Guide* (B005-0000-5135). During this operation you will see a prompt for terminal model and serial number information.

Important: Model/Serial Number is mandatory.