

7606-K310/K311

Cabinet Color Conversion

Kit Instructions



Issue B

Revision Record

Issue	Date	Remarks
A	May 2012	First Issue
B	Jul 2014	Added black version (7606-K313)

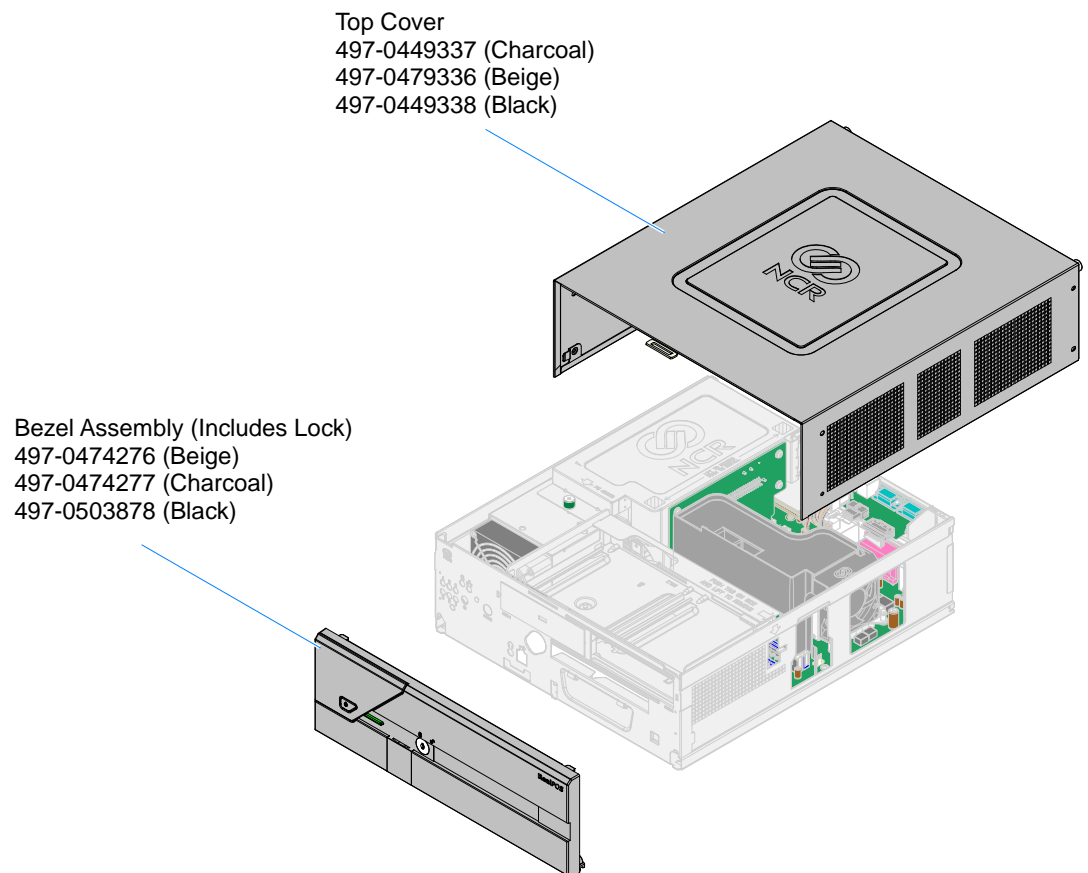
Introduction

This kit provides the components to convert the 7606 cabinet to a different color.

There are two conversion kits:

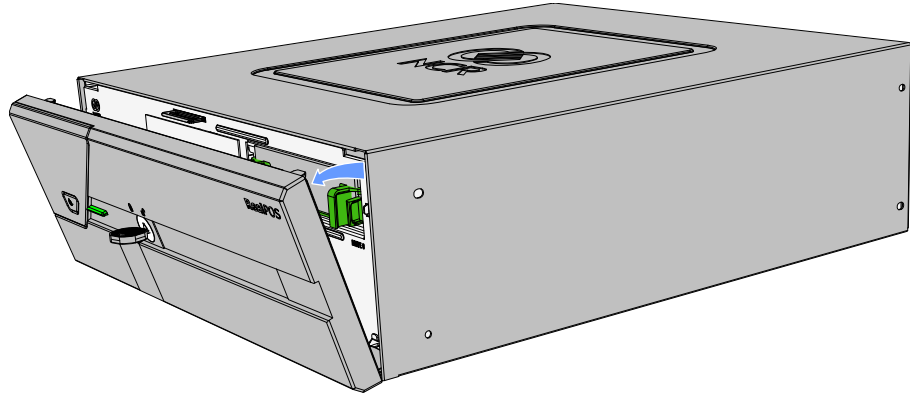
- 7606-K310; Beige Components
- 7606-K311; Charcoal Components
- 7606-K313; Black Components

Kit Contents



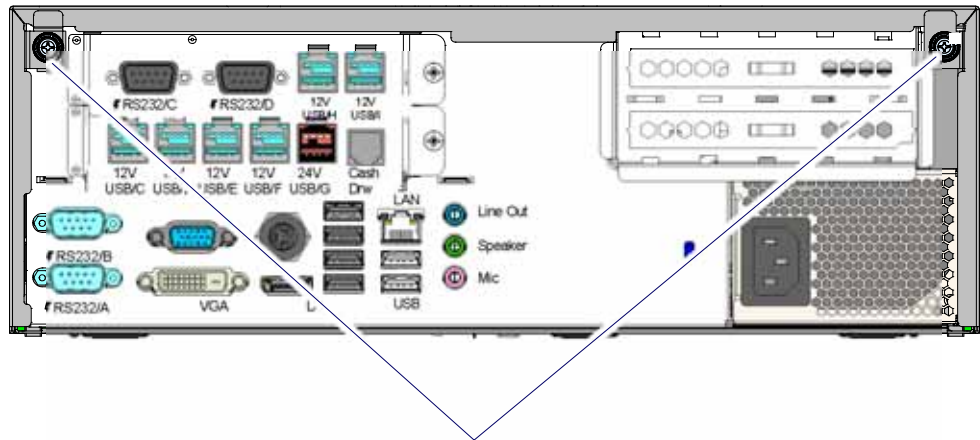
Installation Procedures

1. Turn the Bezel Keylock to the unlocked position.
2. Pull the top edge of the Bezel away from the chassis and then remove it.



30629

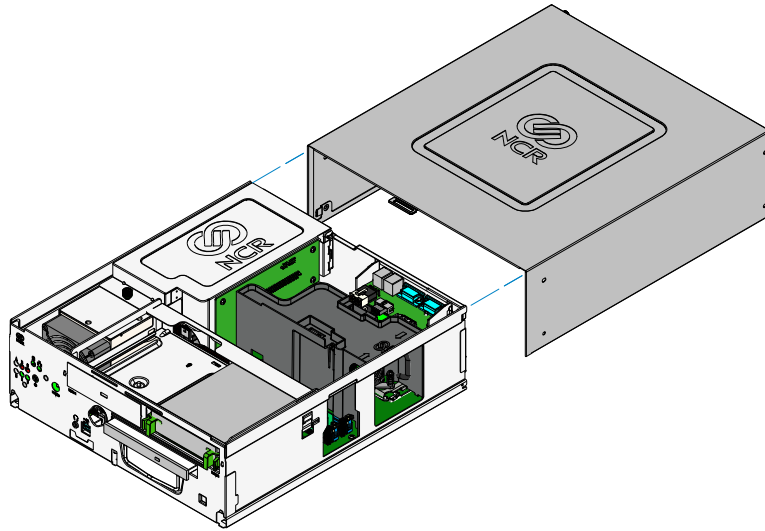
3. Loosen the thumbscrews (2) that secure the Top Cover.



Thumbscrews

30634

4. Slide the cover toward the rear of the terminal to remove it.



31260

5. Install the new Top Cover and Bezel using the reverse procedures.

