

7606-K263

2nd Hard Disk Drive (500 GB)

Kit Instructions



Issue A

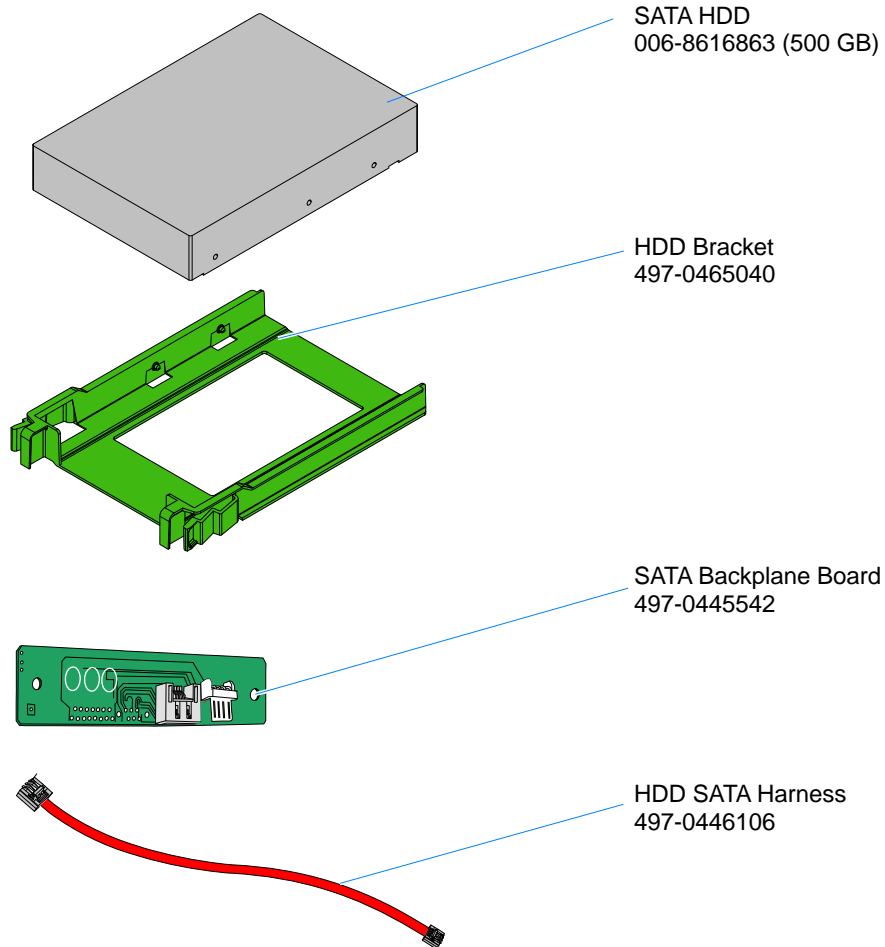
Revision Record

Issue	Date	Remarks
A	May 2012	First Issue

Introduction

This kit contains a 500GB SATA 3GB/s hard disk drive, HDD brackets, SATA Backplane Board, and SATA Harness to add a second HDD to the 7606 terminal.

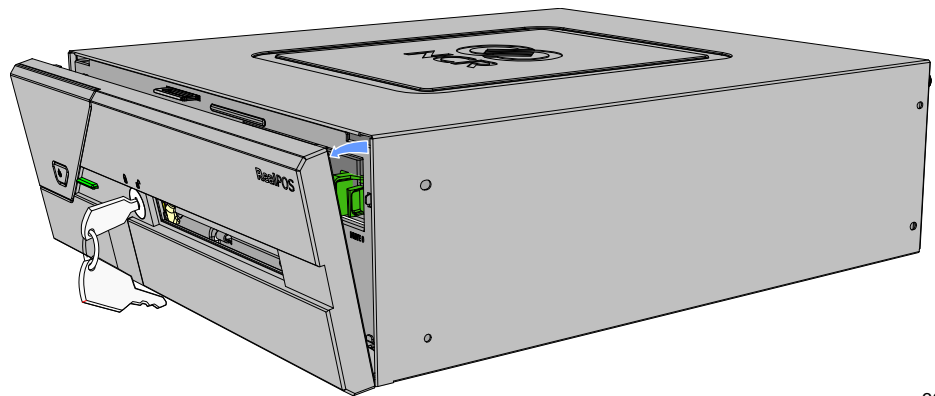
Kit Contents



Installation Procedures

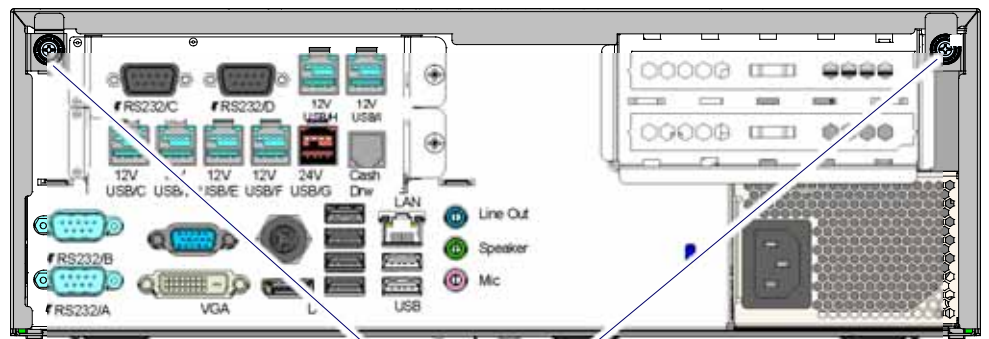
Caution: Static Electricity Discharge may permanently damage your system. Discharge any static electricity build up in your body by touching your computer's case for a few seconds. Avoid any contact with internal parts and handle cards only by their external edges.

1. Turn Off the power to the terminal and disconnect any peripheral devices.
2. Unplug the terminal's power cord.
3. Remove the Bezel.
 - a. Turn the Keylock to the unlocked position.
 - b. Pull the top edge of the Bezel away from the chassis and then remove it.



30629

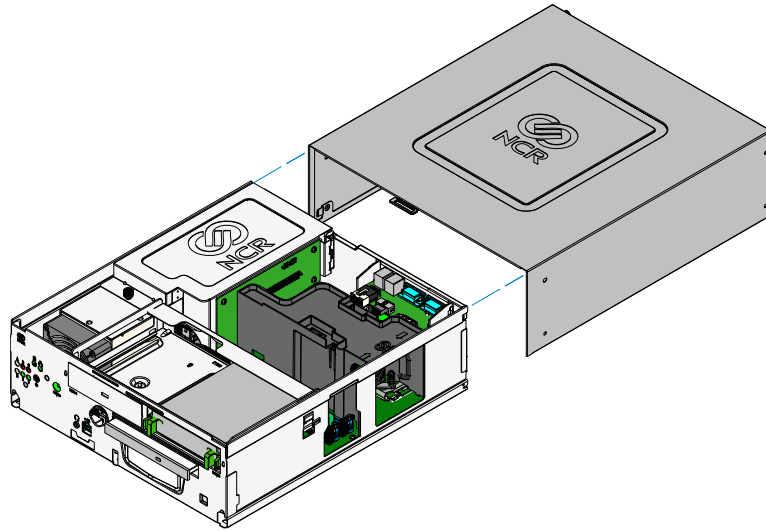
- a. Loosen the thumbscrews (2) that secure the Top Cover.



Thumbscrews

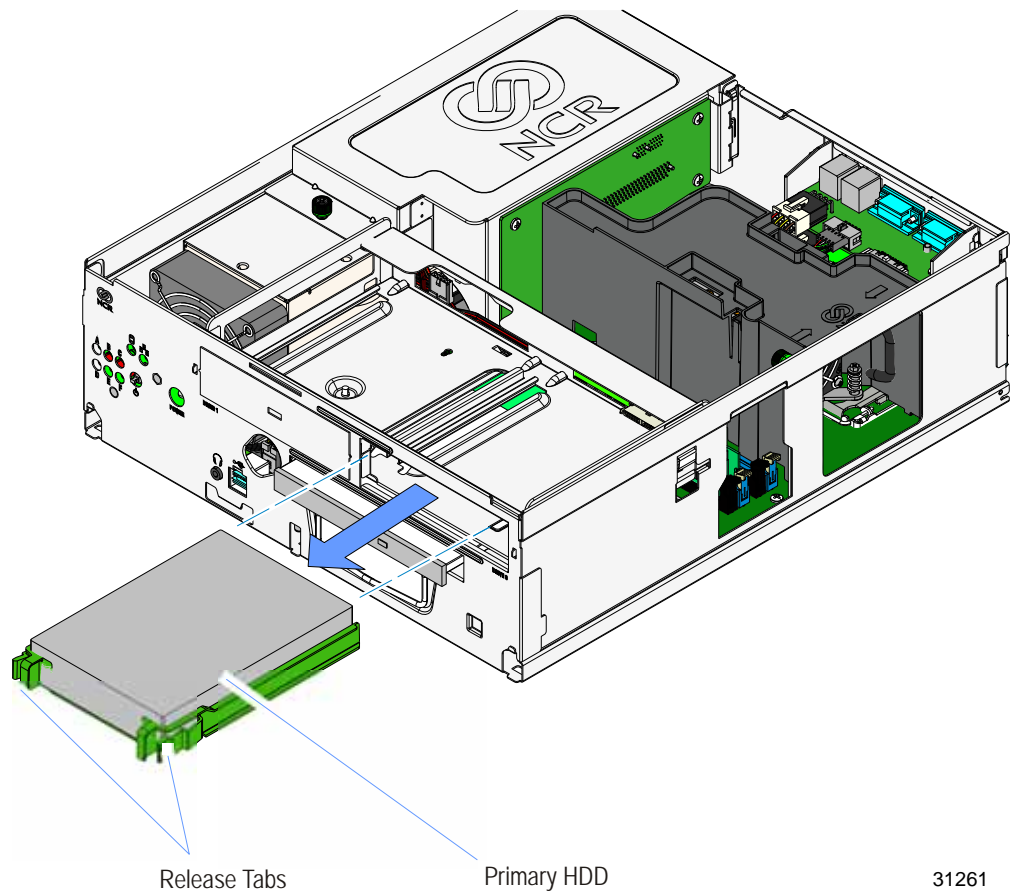
30634

- b. Slide the cover toward the rear of the terminal to remove it.



31260

4. Remove the primary HDD. Squeeze the Release Tabs on the Hard Drive Bracket and then slide the HDD assembly out of the chassis.

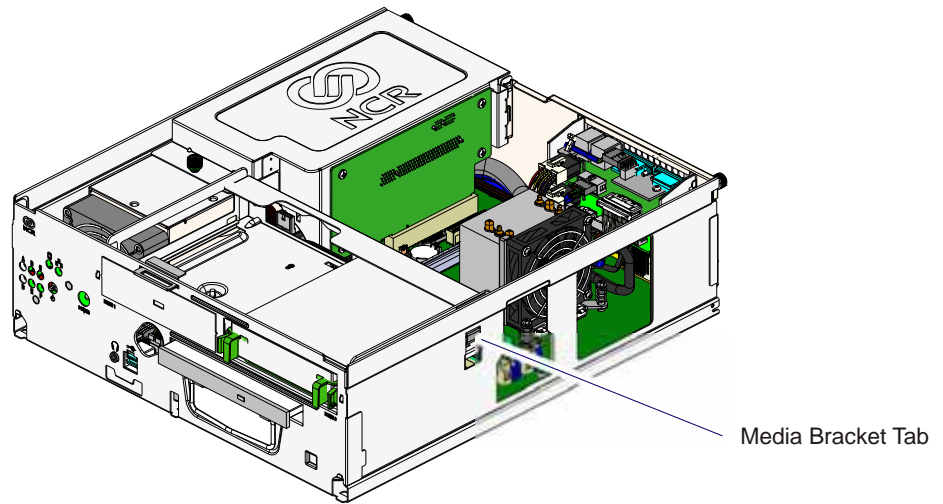


Release Tabs

Primary HDD

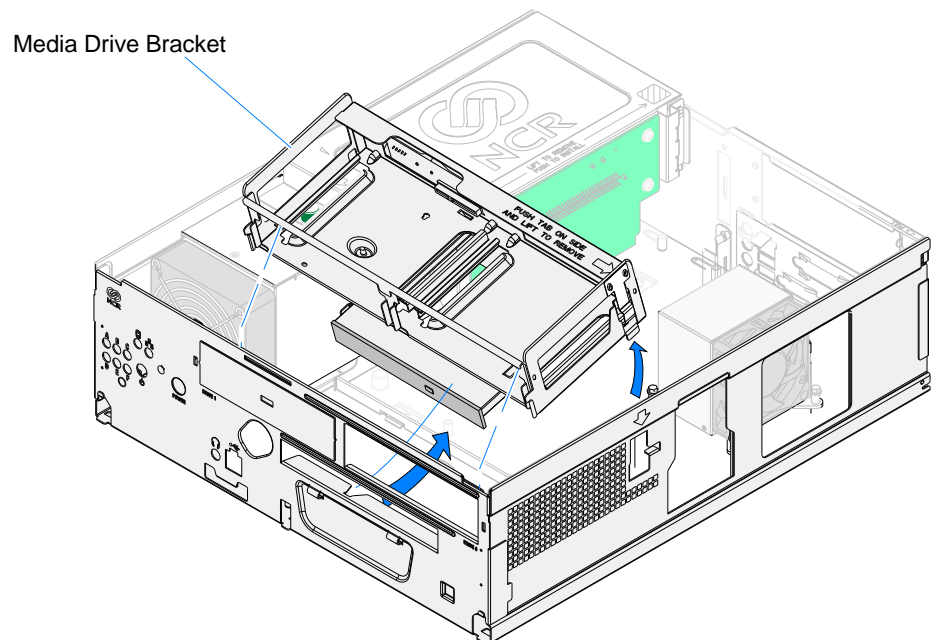
31261

5. Remove the Media Bracket Assembly.
 - a. Press on the Media Bracket Tab on the side of the chassis.



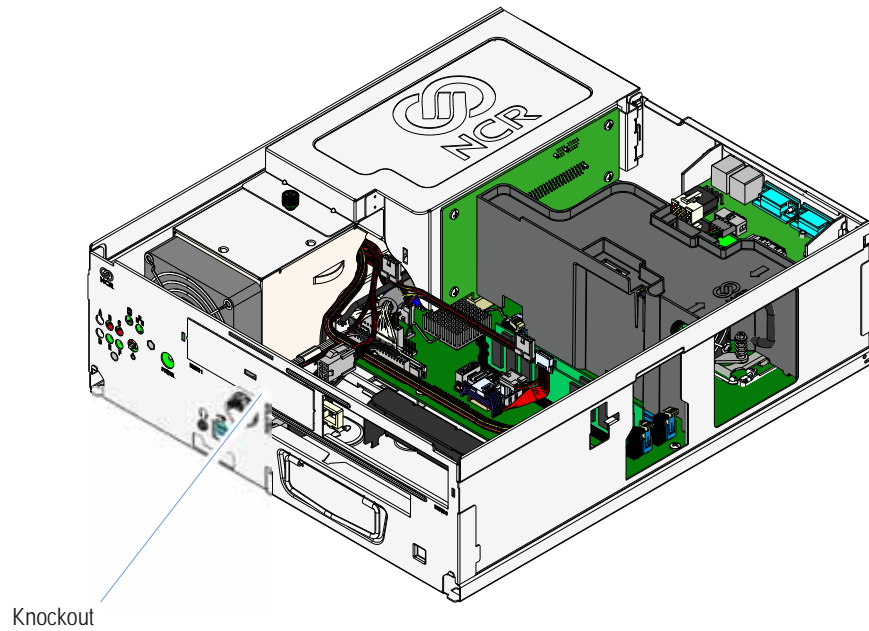
30636

- b. Lift the assembly partially out of the terminal, guiding the CDROM/DVD Drive out of the opening in the front of the chassis.



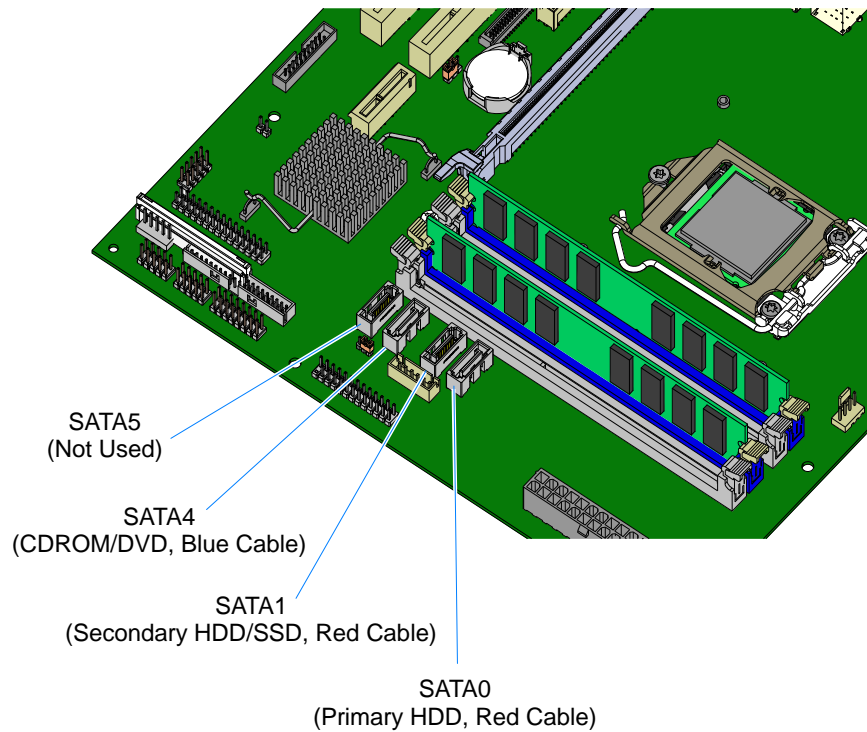
24103a

- Remove the knockout for the 2nd HDD from the chassis. Insert a flat screwdriver into the slot and pry the it up and down to break the knockout loose.



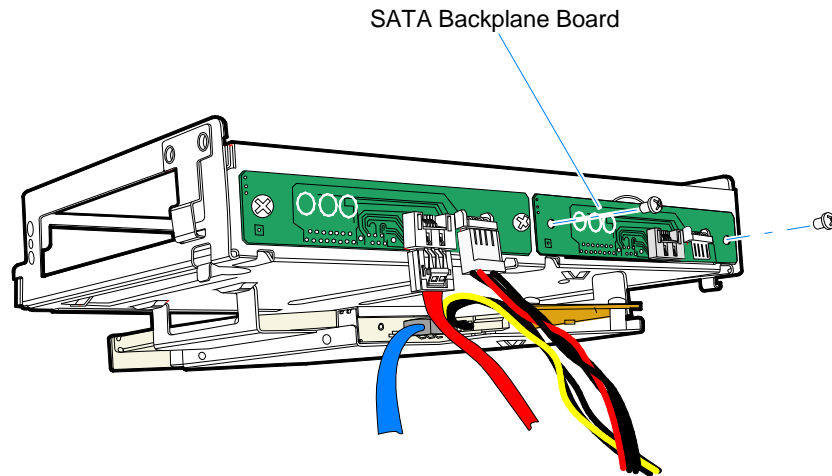
31262

- Connect the Secondary SATA Harness to the SATA1 connector on the Motherboard.



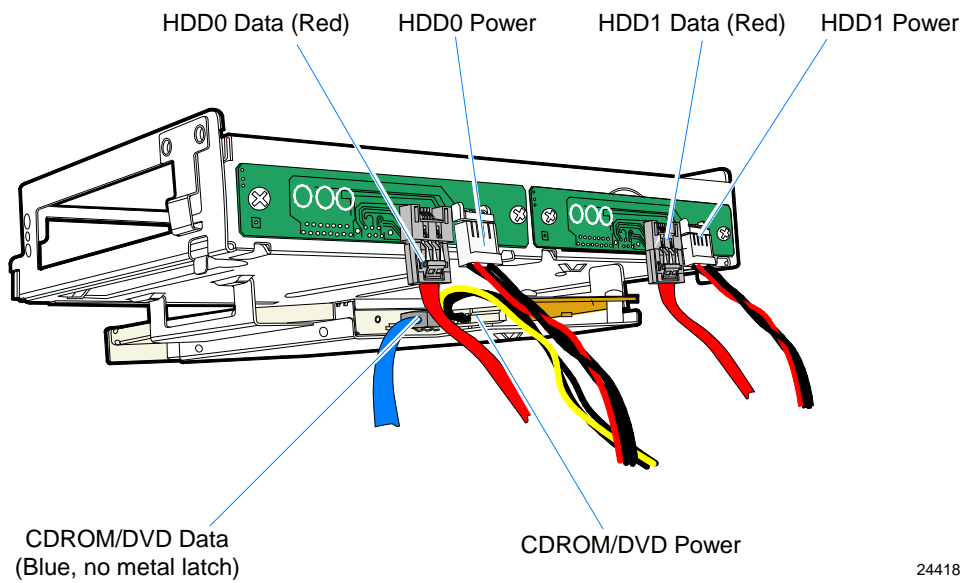
30638

8. Secure the cables in the tie wrap located in the bottom of the chassis.
9. Install the new SATA Backplane Board on the Media Bracket (2 screws).



24417

10. Connect the HDD power and data harnesses to the SATA Board.

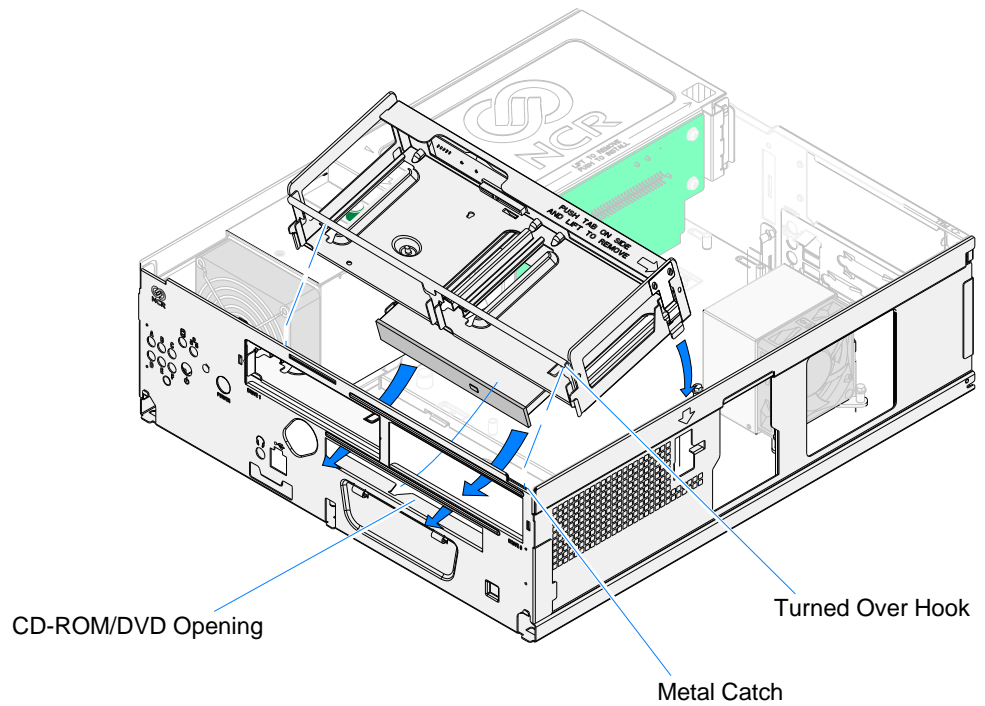


24418

11. Install the Media Bracket Assembly into the chassis.

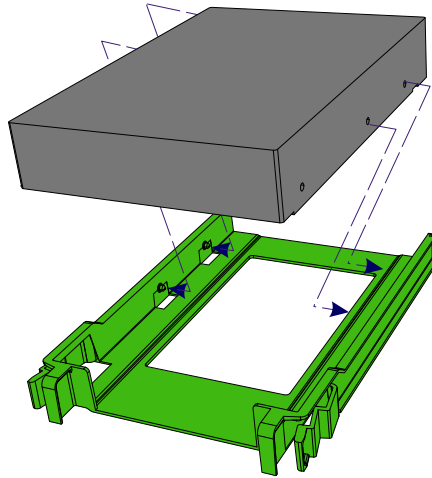
Note: Be sure to hook the front edge of the Media Bracket onto the metal catch on the front of the chassis.

12. Pivot the back of the Media Bracket down into the chassis until it latches.



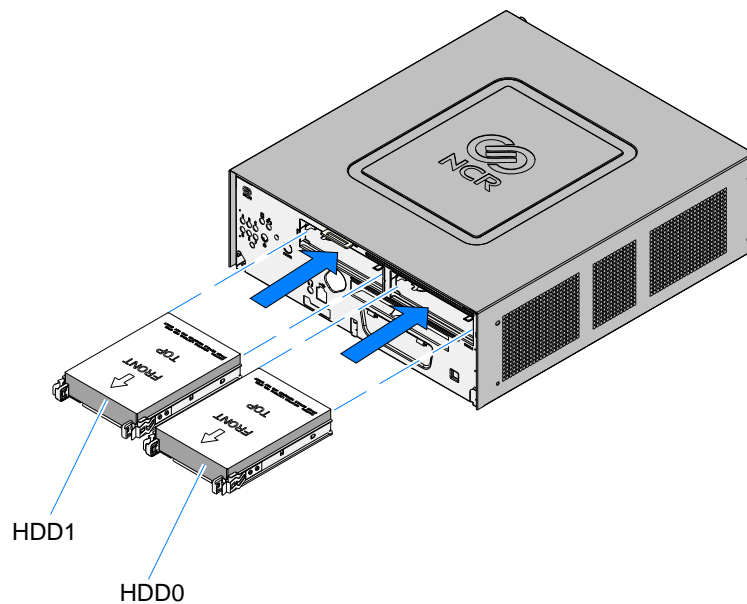
13. Install the Secondary HDD in the HDD Brackets. Align the extensions on the brackets with the screw holes in the new drive and slide the brackets together.

Align the HDD Screw Holes with the Studs in the Bracket and Snap the New HDD into the Bracket



30633a

14. Install the HDDs into their respective slots in the terminal.



24420

15. Replace the Top Cover.

16. Replace the Bezel.

Note: If the secondary HDD is going to be used as a RAID volume see the *NCR RealPOS 82xrt User Guide* for information about installing RAID.