

7606-K241

**2nd Solid State Device
(40 GB)**

Kit Instructions



Issue A

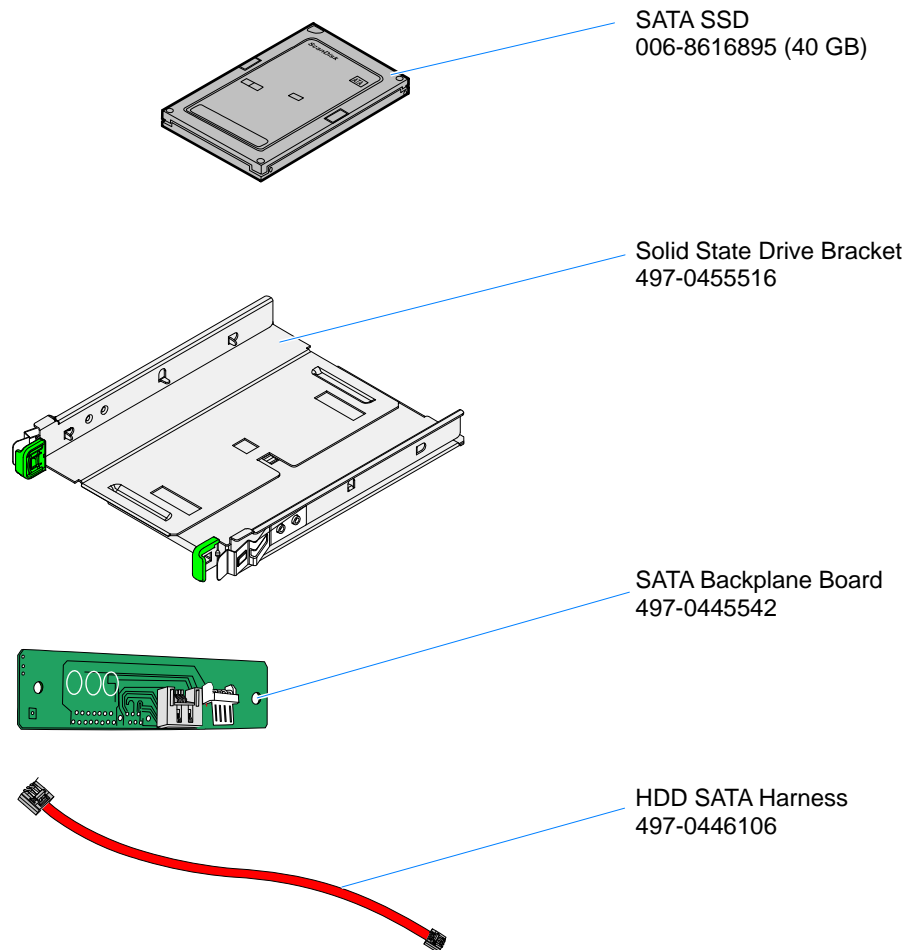
Revision Record

Issue	Date	Remarks
A	May 2012	First Issue

Introduction

This kit contains a 40GB SATA Solid State Device, SSD bracket, SATA Backplane Board, and SATA Harness to add a second SSD to the 7606 terminal.

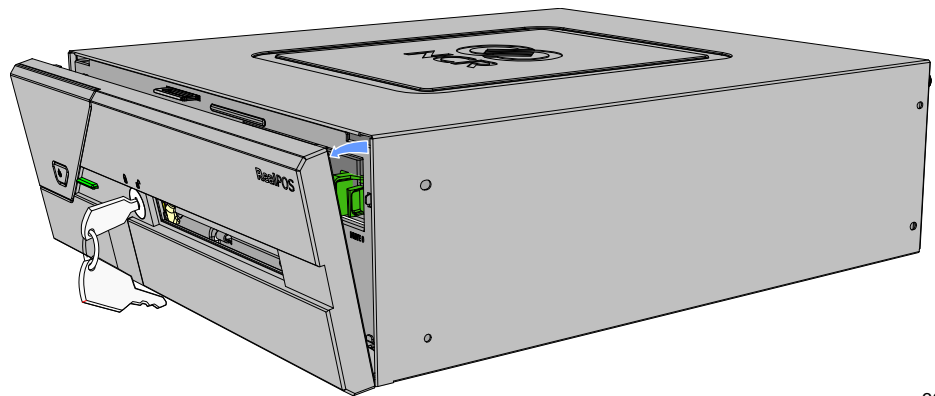
Kit Contents



Installation Procedures

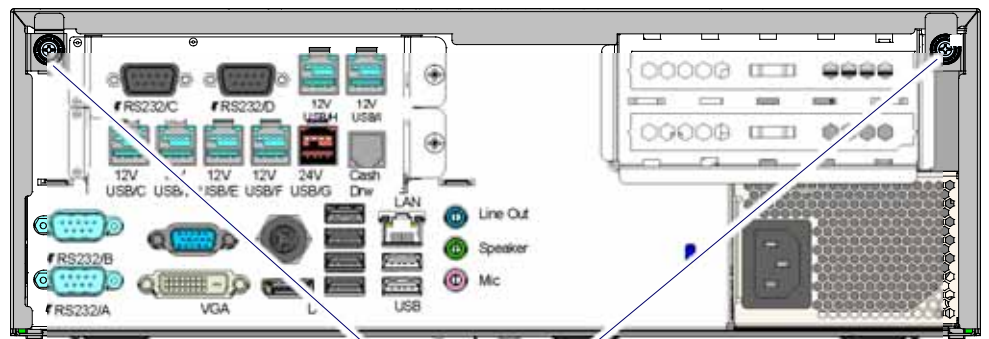
Caution: Static Electricity Discharge may permanently damage your system. Discharge any static electricity build up in your body by touching your computer's case for a few seconds. Avoid any contact with internal parts and handle cards only by their external edges.

1. Turn Off the power to the terminal and disconnect any peripheral devices.
2. Unplug the terminal's power cord.
3. Remove the Bezel.
 - a. Turn the Keylock to the unlocked position.
 - b. Pull the top edge of the Bezel away from the chassis and then remove it.



30629

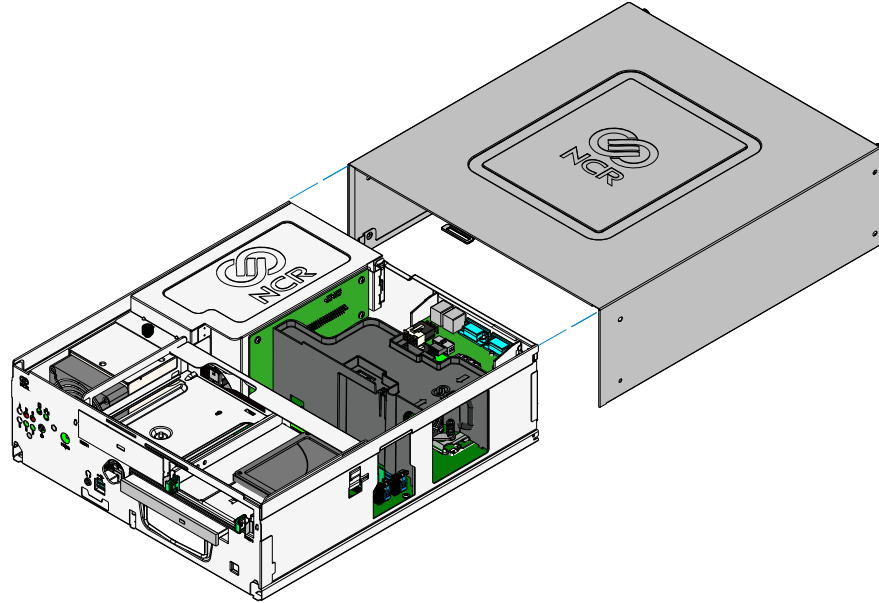
- a. Loosen the thumbscrews (2) that secure the Top Cover.



Thumbscrews

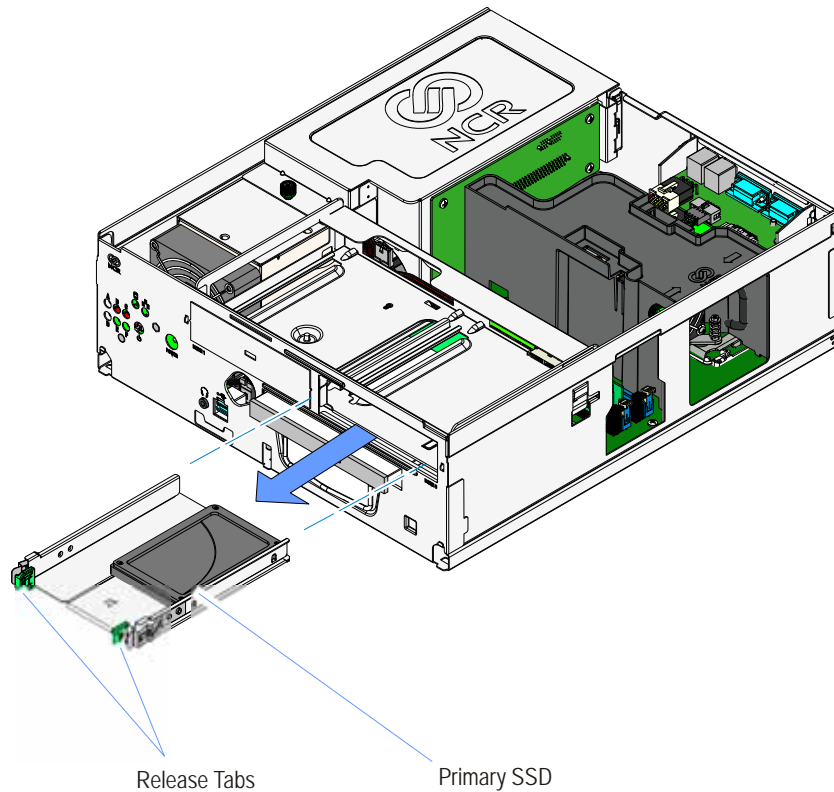
30634

- b. Slide the cover toward the rear of the terminal to remove it.



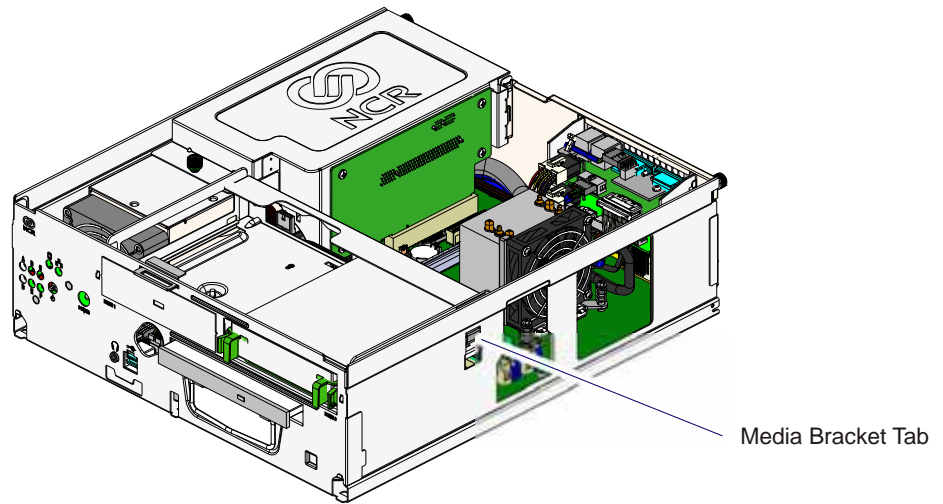
31286

4. Remove the primary SSD. Squeeze the Release Tabs on the Hard Drive Bracket and then slide the SSD assembly out of the chassis.



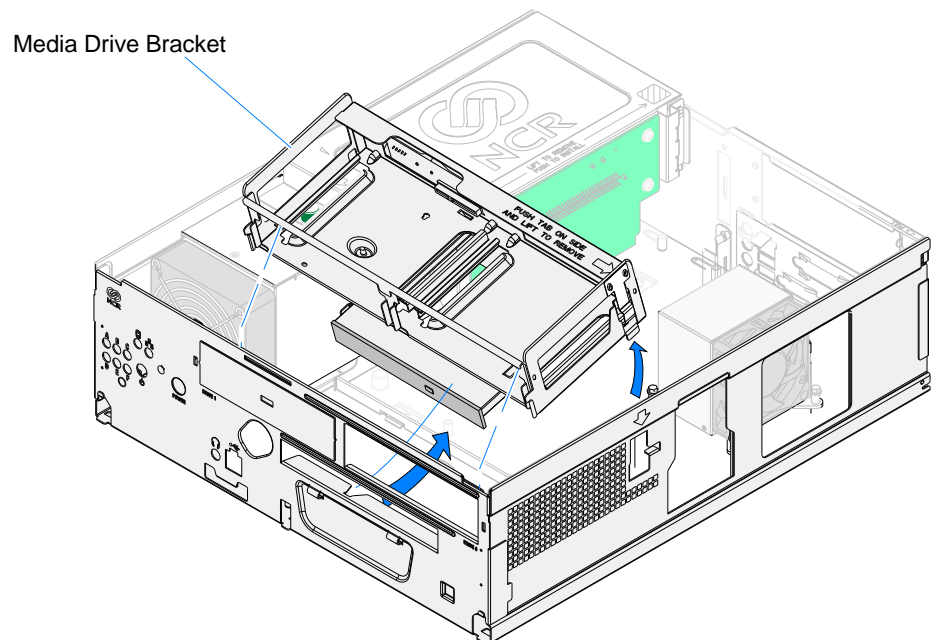
31287

5. Remove the Media Bracket Assembly.
 - a. Press on the Media Bracket Tab on the side of the chassis.



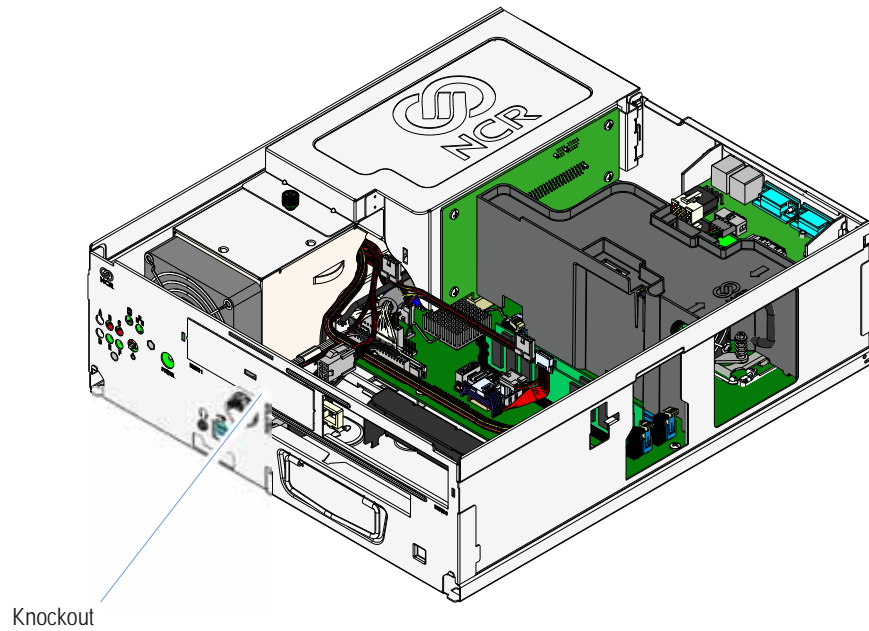
30636

- b. Lift the assembly partially out of the terminal, guiding the CDROM/DVD Drive out of the opening in the front of the chassis.



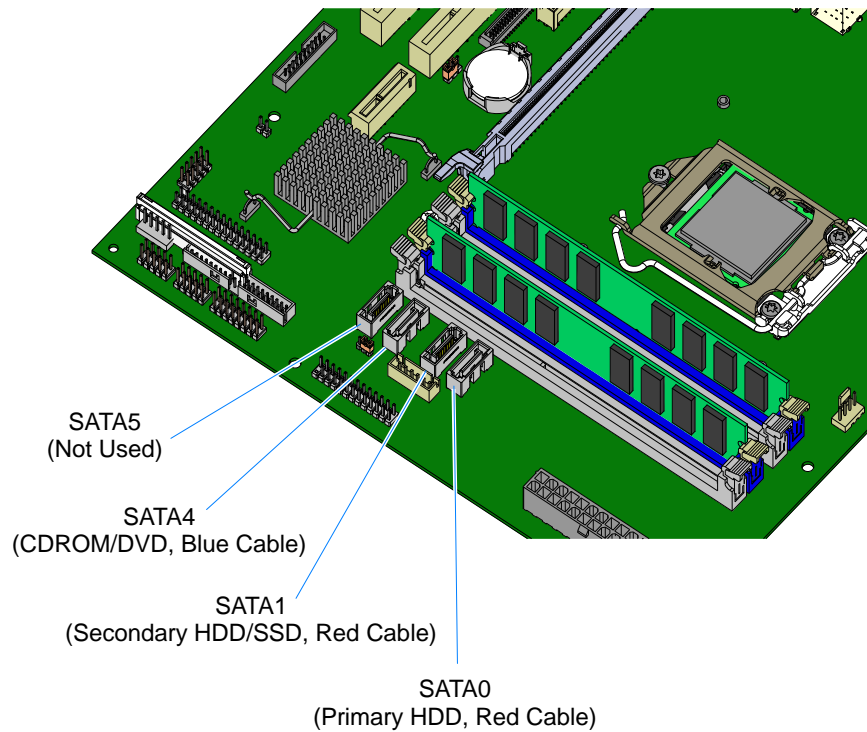
24103a

- Remove the knockout for the 2nd SSD from the chassis. Insert a flat screwdriver into the slot and pry the it up and down to break the knockout loose.



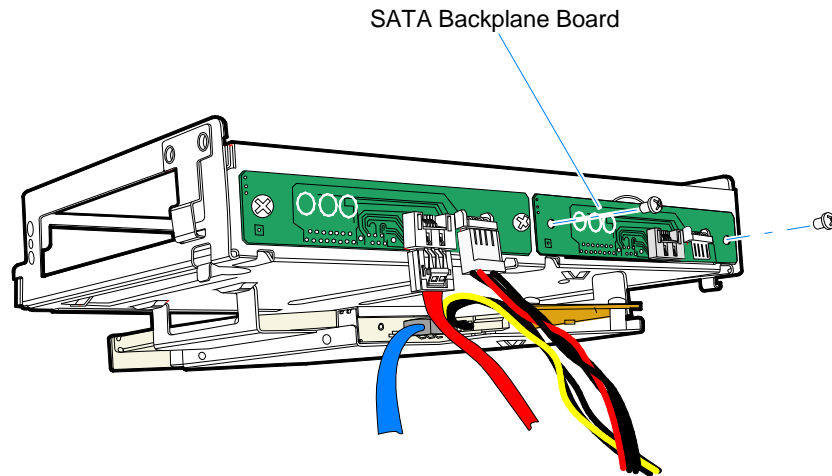
31262

- Connect the Secondary SATA Harness to the SATA1 connector on the Motherboard.



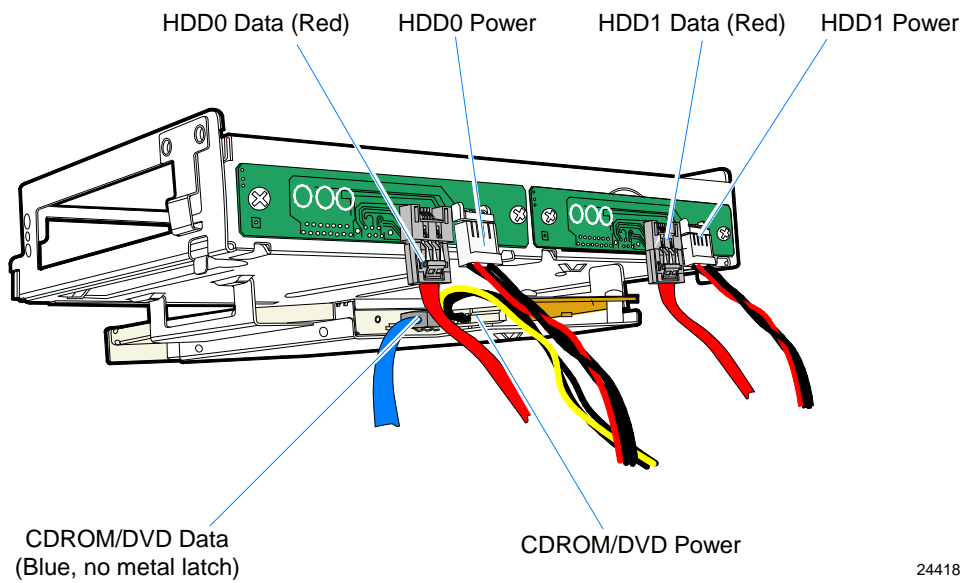
30638

8. Secure the cables in the tie wrap located in the bottom of the chassis.
9. Install the new SATA Backplane Board on the Media Bracket (2 screws).



24417

10. Connect the SSD power and data harnesses to the SATA Board.

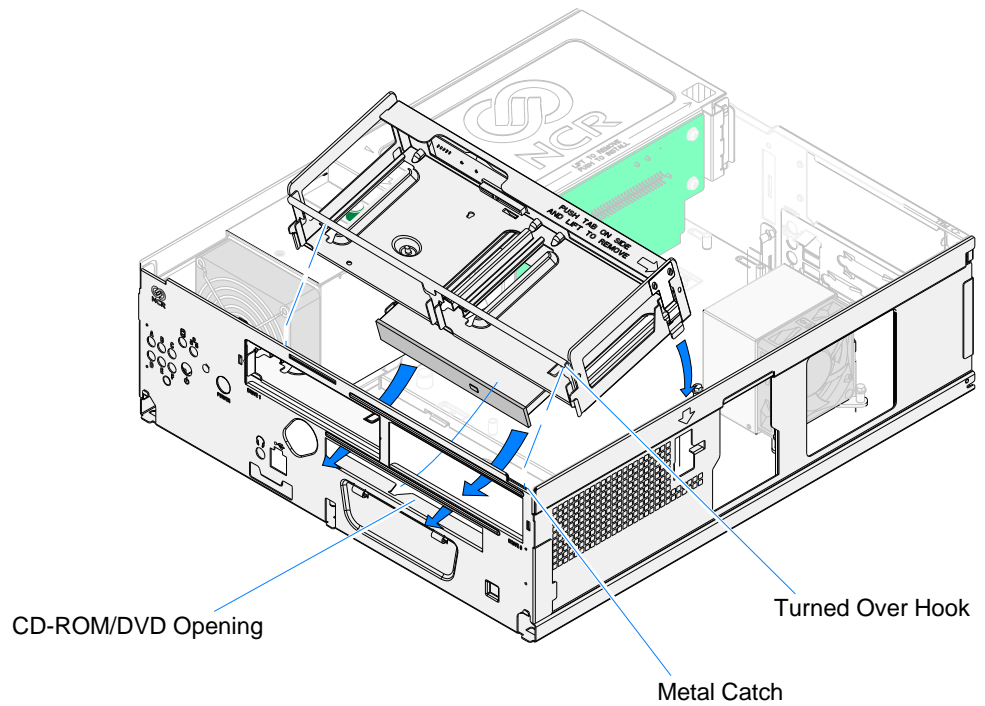


24418

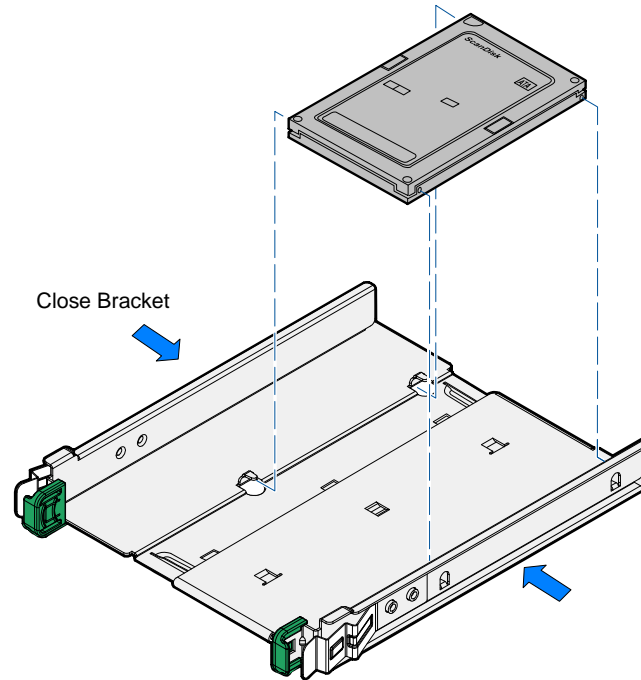
11. Install the Media Bracket Assembly into the chassis.

Note: Be sure to hook the front edge of the Media Bracket onto the metal catch on the front of the chassis.

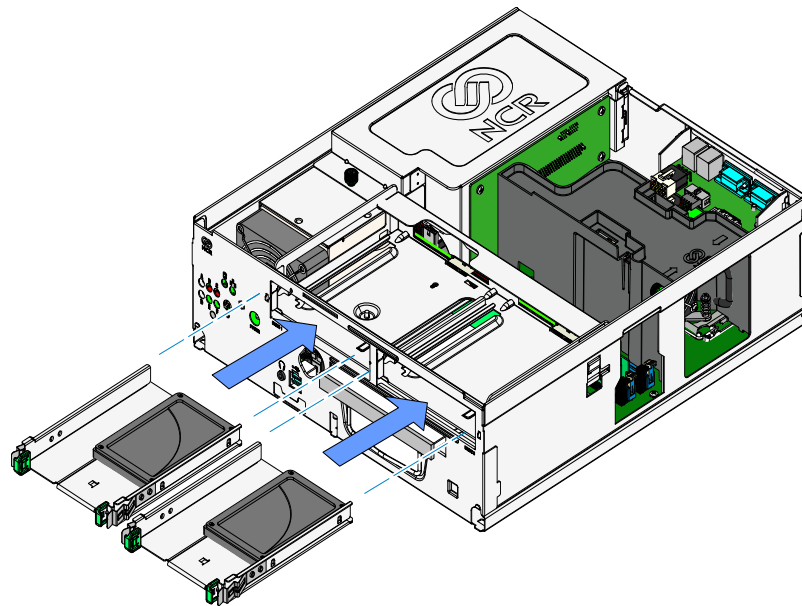
12. Pivot the back of the Media Bracket down into the chassis until it latches.



13. Install the Secondary SSD in the SSD Brackets. Align the extensions on the brackets with the screw holes in the new device and slide the brackets together to secure the device.



14. Install the SSDs into their respective slots in the terminal.



15. Replace the Top Cover.
16. Replace the Bezel.