

7606-K150

PCI/PCIe Riser Card

Kit Instructions



Issue B

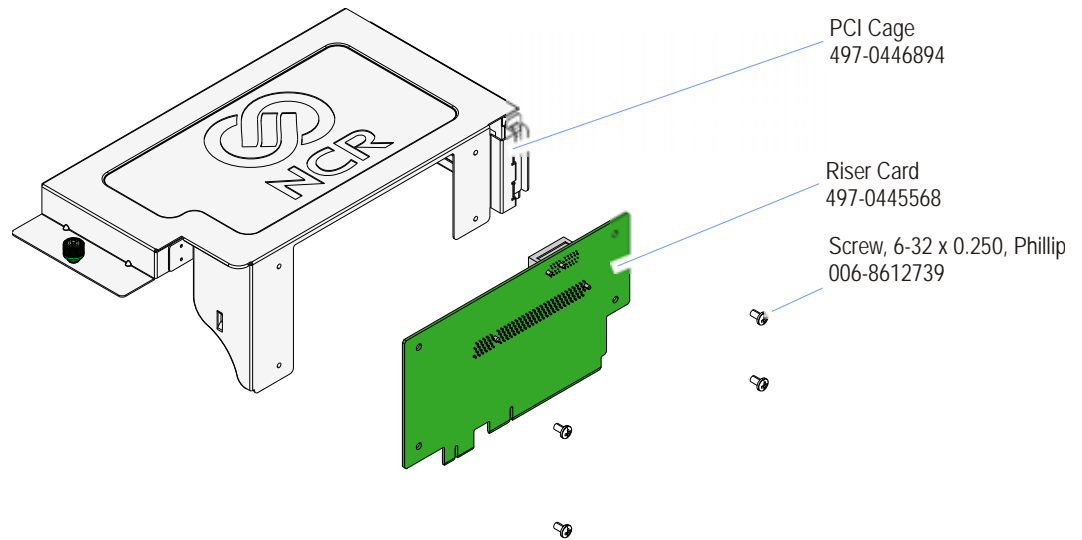
Revision Record

| Issue | Date | Remarks |
|-------|-----------|----------------|
| A | May 2012 | First Issue |
| B | Sept 2012 | Added PCI Cage |
| | | |
| | | |

Introduction

This kit provides a PCI/PCIe Riser Card and Cage for the 7606, which must be present to add a PCI or PCIe card in the terminal.

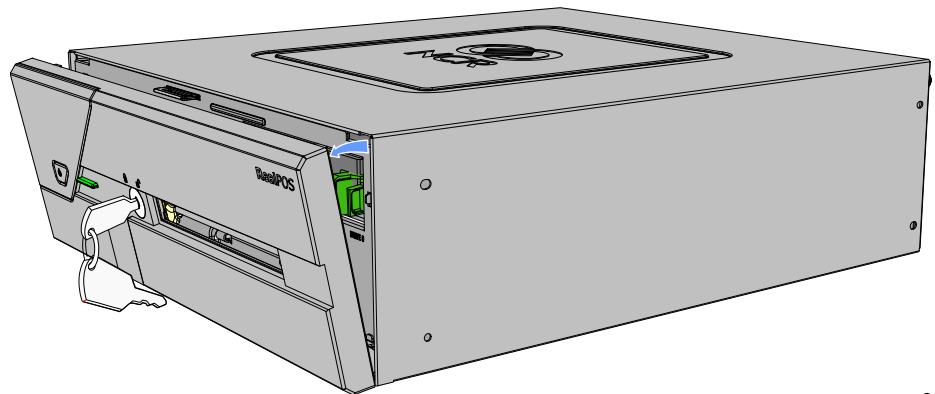
Kit Contents



Installation Procedures

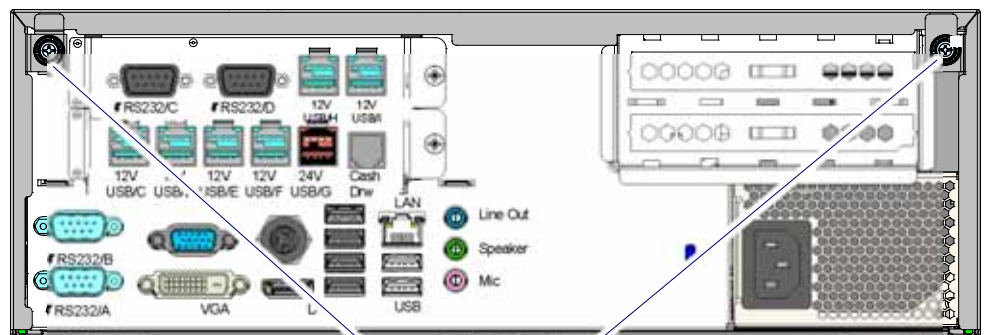
Caution: Static Electricity Discharge may permanently damage your system. Discharge any static electricity build up in your body by touching your computer's case for a few seconds. Avoid any contact with internal parts and handle cards only by their external edges.

1. Turn Off the power to the terminal and disconnect any peripheral devices.
2. Unplug the terminal's power cord.
3. 2. Remove the Front Cover.
 - a. Turn the Keylock to the unlocked position.
 - b. Pull the top edge of the Front Cover away from the chassis and remove the cover.



30629

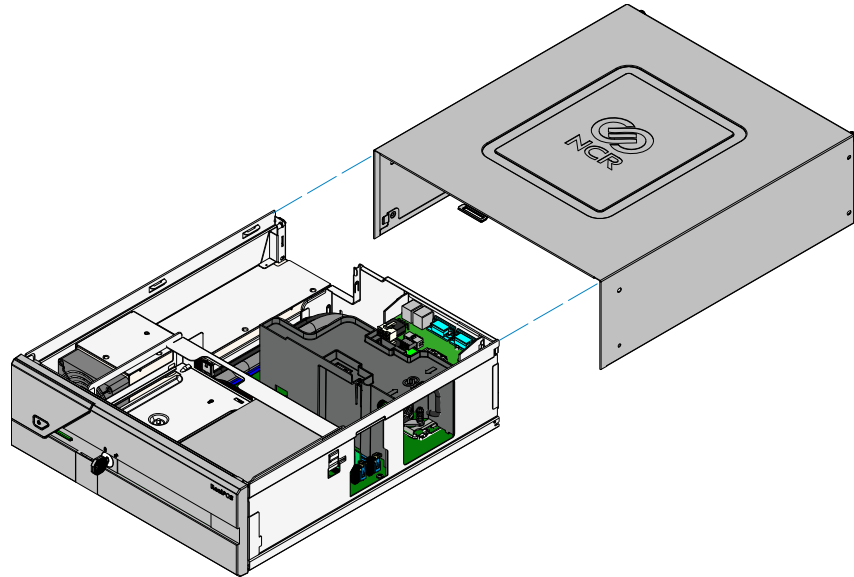
4. Remove the Top Cover.
 - a. Loosen the thumbscrews (2) that secure the Top Cover.



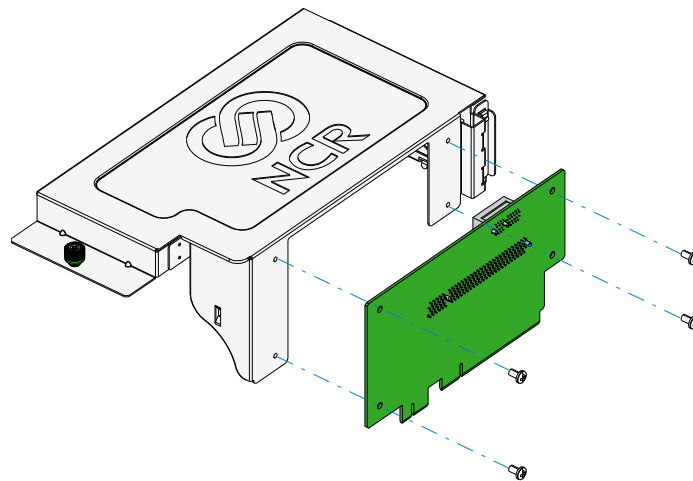
Thumbscrews

30634

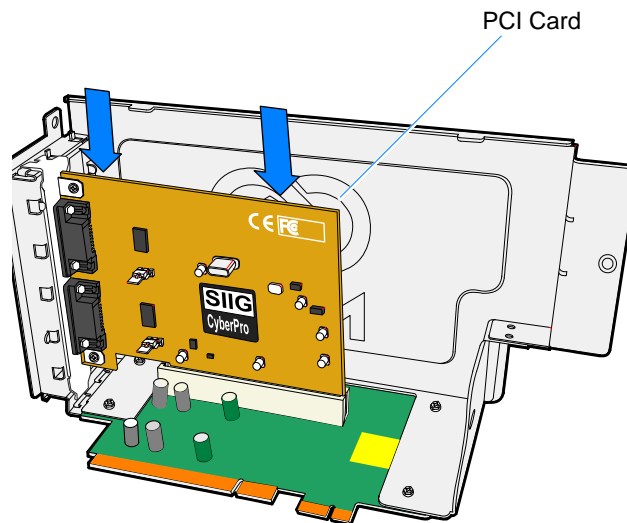
- b. Slide the cover toward the rear of the terminal to remove it.



5. Install the PCI Riser Card onto the PCI Adapter Cage (4 screws).

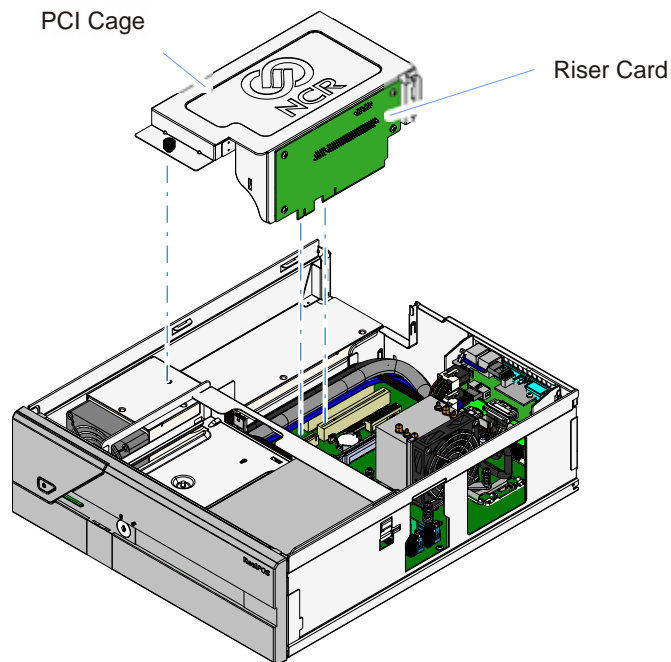


6. Connect the PCI Adapter Card to the PCI Riser Card.



31

7. Connect the PCI Adapter Cage to the Motherboard.



30827

8. Secure the assembly with the thumbscrew.
9. Replace the Top Cover.
10. Replace the Front Bezel.