

7459-K315/K316

RealPOS 80_{xrt} (7459)

Integrated 719x Printer

Adapter

Kit Instructions



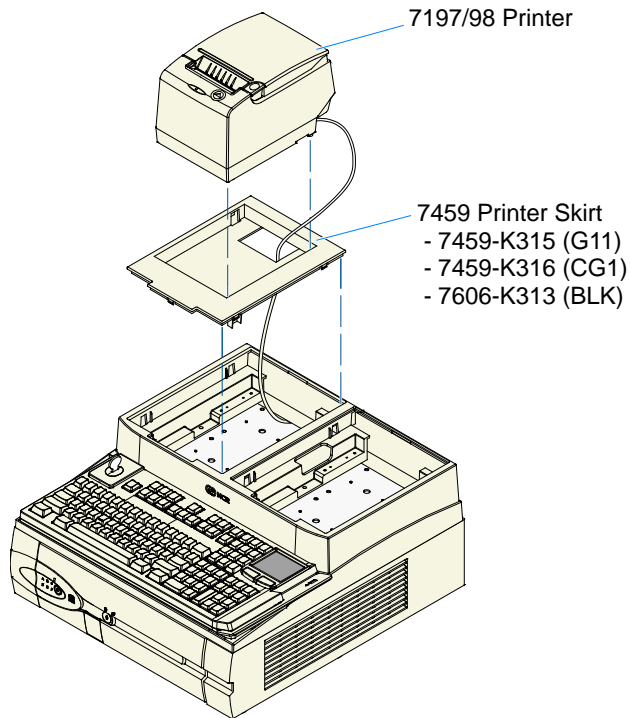
Issue C

Revision Record

Issue	Date	Remarks
A	Jul 2010	First issue
B	May 2012	Added 7606 support
C	Jul 2014	Added black version

This kit contains a plastic adapter that is used to mount a NCR 7197 or 7198 single-station thermal printer onto the 7459-K300/K301 or 7606-K300/K301/K313 Integration Tray. There are three versions of the kit:

- 7459-K315 – G11
- 7459-K316 – CG1
- 7606-K313 - BLK



24797

See the *Integration Tray Kit Instructions* for installation procedures.

- 7459-K300/K301 Kit Instructions
or
- 7606-K300/K301/K303 Kit Instructions