

7459-K180

UPS Battery

Kit Instructions



Issue C

Revision Record

Issue	Date	Remarks
A	Feb 2006	First issue
B	May 2007	Added 7459 Support
C	May 2012	Added 7606 Support; Renamed from 7457-K180

Introduction

This kit provides the components to add an integrated UPS Battery to a 7457, 7459, or 7606 terminal. This feature can only be installed in terminals that are equipped with a UPS Power Supply.

- 7457-3xxx
- 7457-4xxx
- 7459-5110
- 7606-1110

COM Port Considerations

The methods used to provide the port assignments for the UPS are different between the 7457-3xxx and 7457-4xxx terminals.

3xxx - has a dedicated COM5 port which can only be used for the UPS.

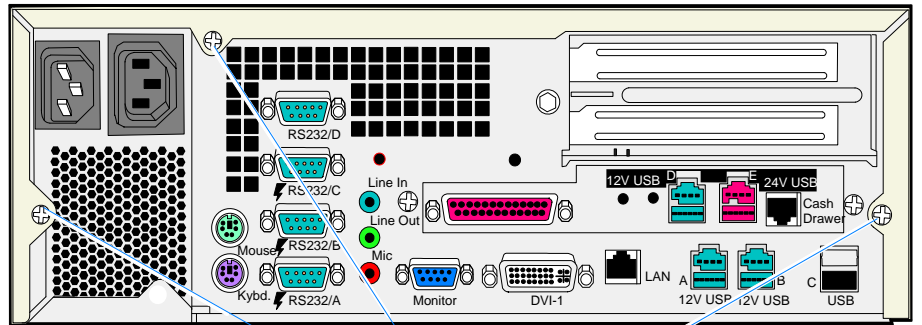
4xxx - The UPS takes the place of one of the existing COM ports (COM3 or COM4), depending on which connector on the motherboard is used (Factory default is COM4). The UPS uses the IRQ and ADDRESS of the port that it replaced, **i.e. you lose functionality for that particular serial port**).

7459-5xxx – The UPS connects directly to a connector on the Motherboard and uses COM4. Since both the UPS and the Extended I/O Board use COM4 they cannot be used at the same time.

7606-1110 – The UPS connects directly to a connector on the Motherboard and uses COM4. Since both the UPS and the Extended I/O Board use COM4 they cannot be used at the same time.

Installation Procedure (7457)

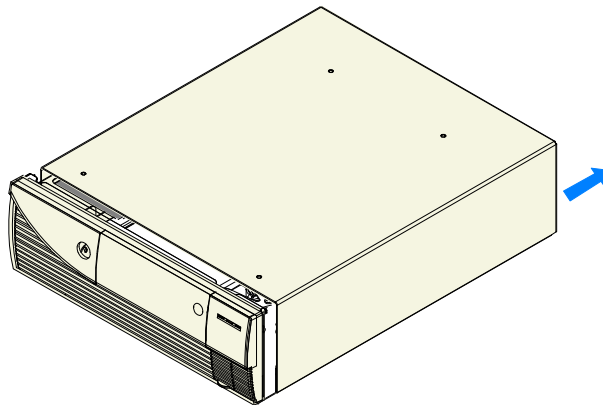
1. Remove the screws (3) that secure the Top Cover.



Top Cover Screws

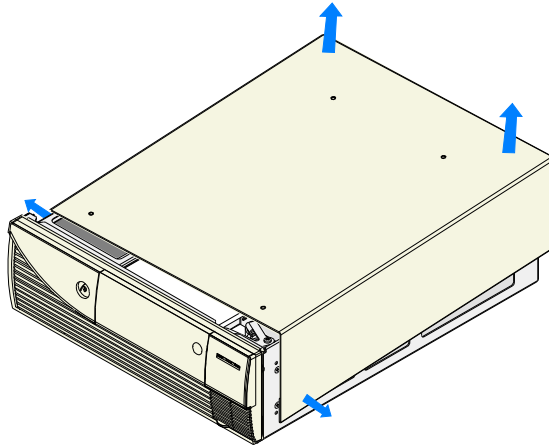
21488

2. Slide the cover toward the rear of the terminal about half an inch.



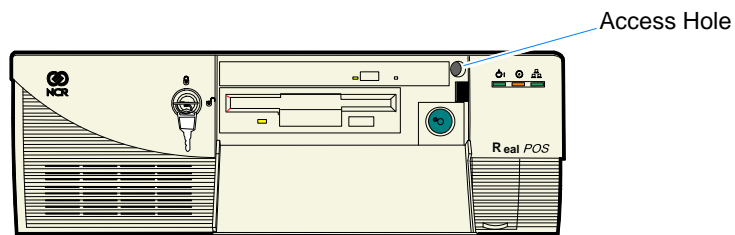
21507

3. Pull out on the sides of the cover as you lift the cover off the chassis.



21508

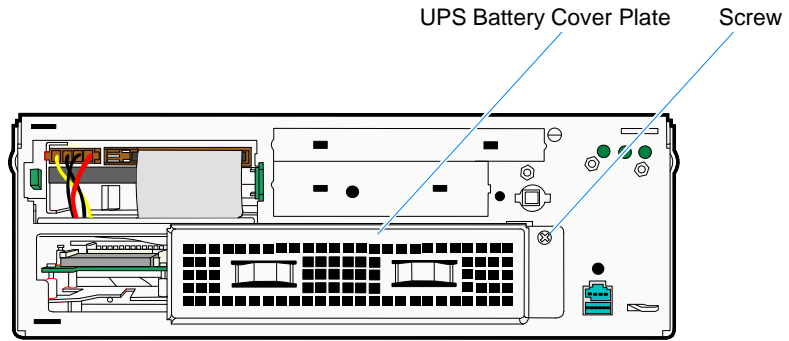
4. Remove the Front Cover.
 - a. Turn the Keylock to the unlocked position.
 - b. Open the Access Door
 - c. Insert a round device, such as a screwdriver or pen into the Access Hole to release the right side of the Front Cover from the chassis.



21411a

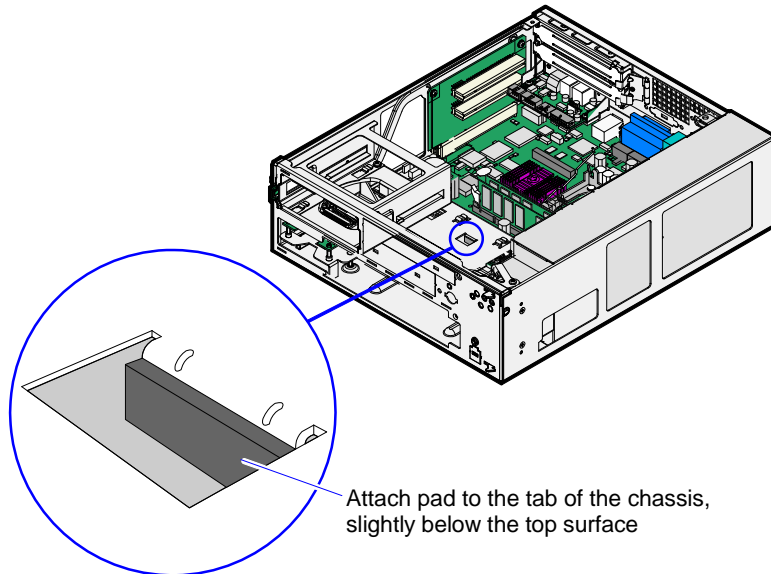
- d. Disengage the left side of the cover.

5. Remove the UPS Battery Cover Plate (screw).



23191

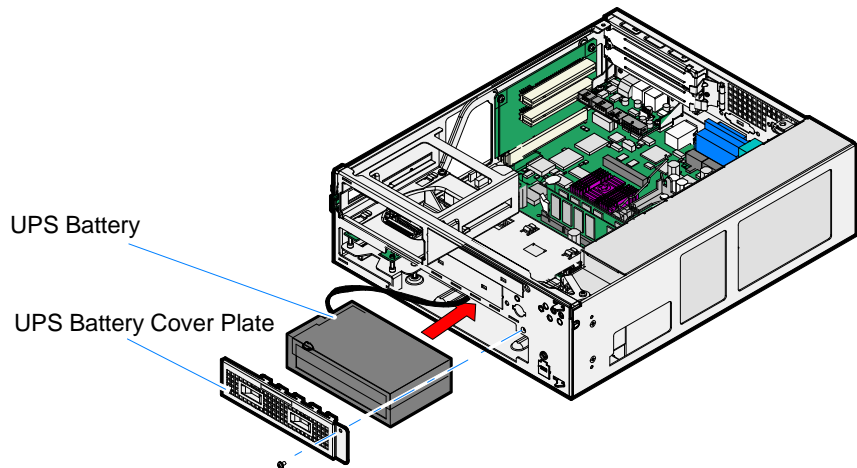
6. Attach the Poron Pad to the tab on the chassis, slightly below the surface.



23192

7. Find the UPS Battery Cable in the cable cluster in the terminal and connect it to the UPS Battery.
8. Insert the battery into the terminal.

Caution: Make sure the cables do not become pinched between the battery and the chassis.



23190

9. Install the UPS Battery Cover Plate and secure it with the screw.

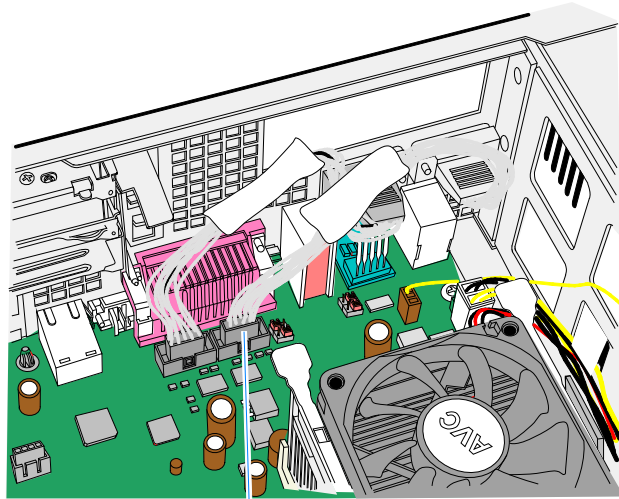
Note: Make sure the bottom of the plate is located inside the chassis.

10. Connect the UPS cables.

7457-4xxx

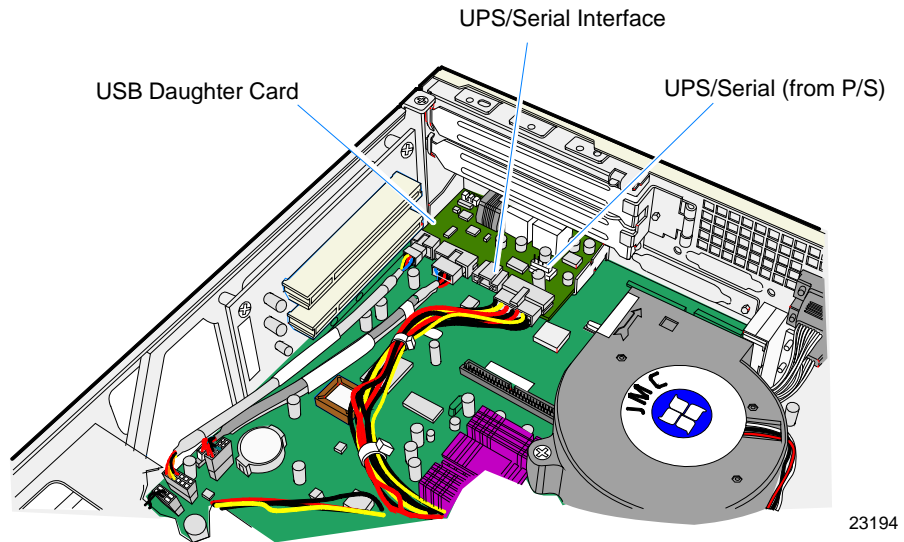
The UPS Battery control uses COM4 on 7457-4xxx models.

- a. Disconnect the COM4 Harness from the Motherboard (if present).



COM4
(J11)

- b. Connect the UPS/Serial I/F Cable (497-0429973) to the COM4 port on the Motherboard and to the Daughter Card.

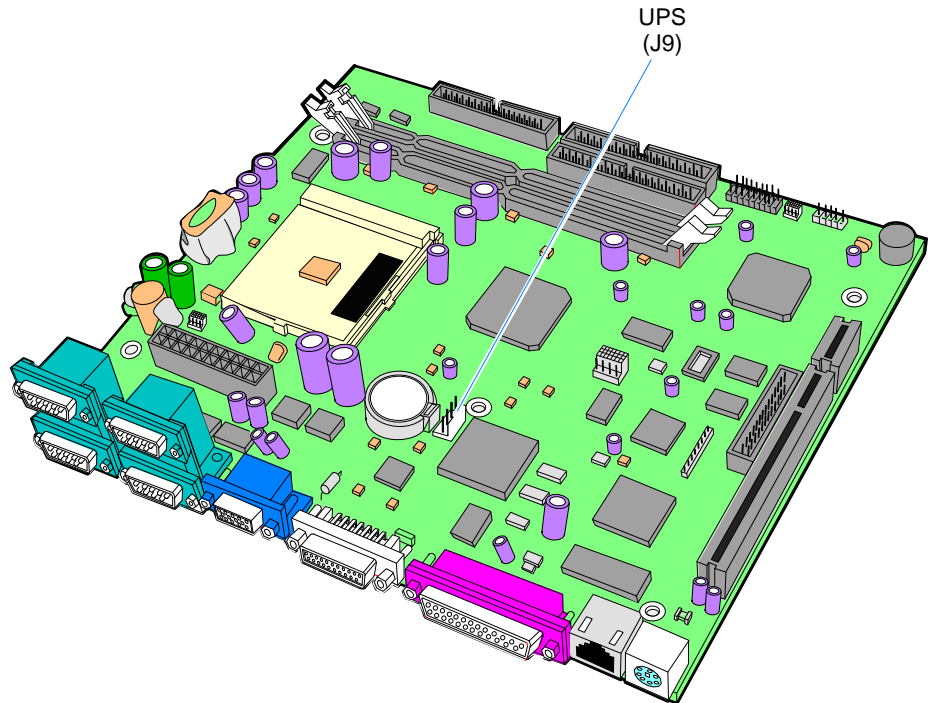


- c. Find the UPS Serial Cable from the Power Supply and connect it to the Daughter Card.

7457-3xxx

The UPS Battery control uses COM5 on 7457-3xxx models.

- a. Find the UPS Serial Cable from the Power Supply and connect it to the Motherboard.



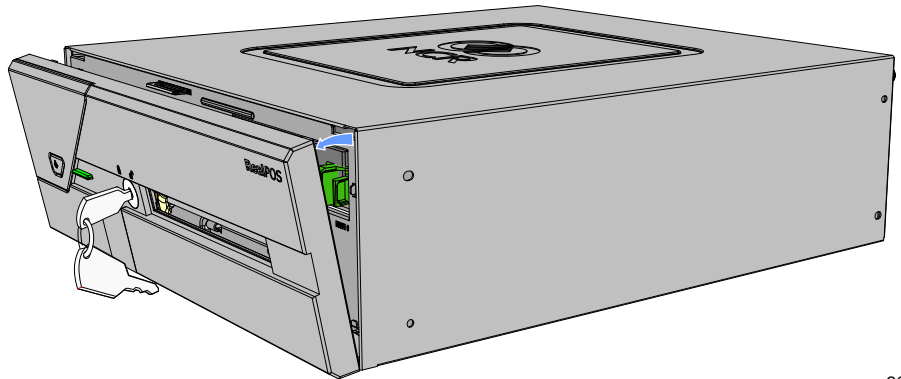
23195

11. Reinstall the Cabinet.

Installation Procedure (7459/7606)

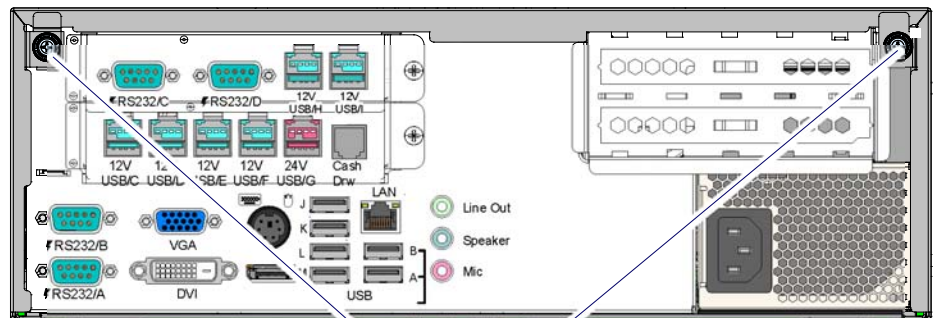
Note: The 7459 and 7606 only use the battery in this kit. The other components are used in the 7457 and can be discarded. The 7459 and 7606 procedures are identical except where noted.

1. Turn the Keylock to the unlocked position.
2. Pull the top edge of the Front Cover away from the chassis and remove the cover.



30629

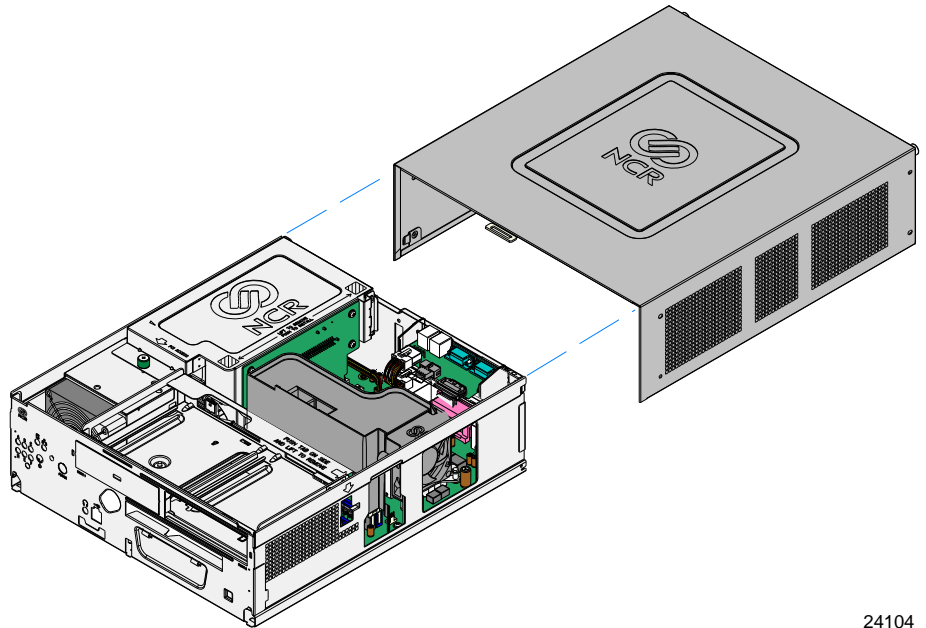
3. Loosen the thumbscrews (2) that secure the Top Cover.



Thumbscrews

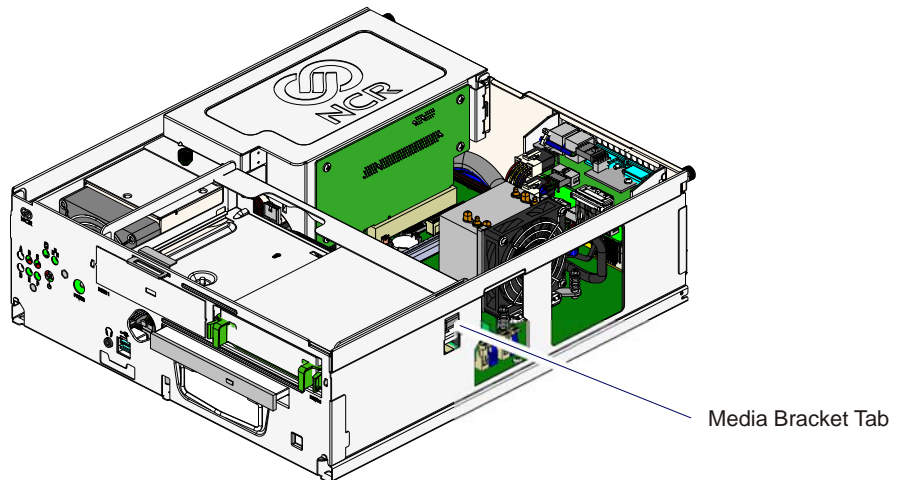
30634

- Slide the cover toward the rear of the terminal to remove.



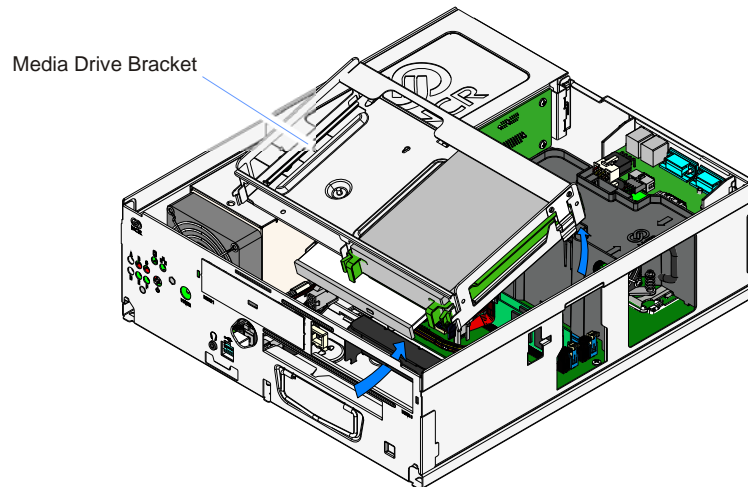
24104

- Press on the Media Bracket Tab on the side of the chassis.



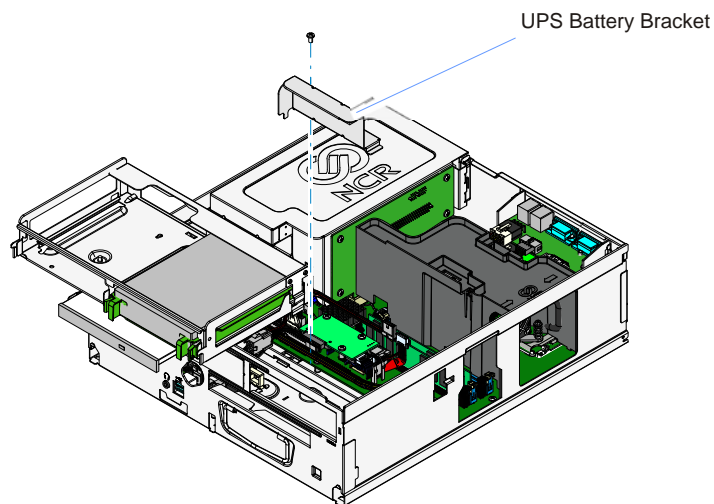
30636

6. Lift the assembly partially out of the terminal, guiding the CDROM/DVD Drive out of the opening in the front of the chassis.



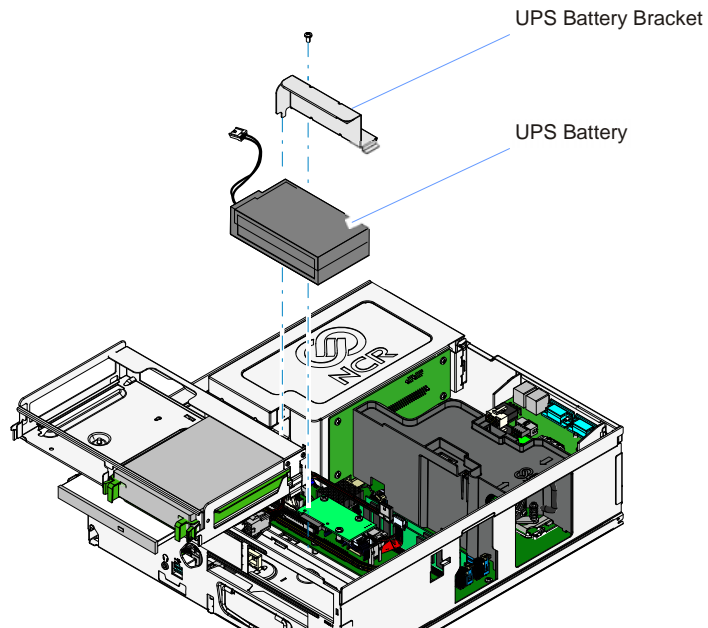
31238

7. Rest the Media Drive Bracket on the chassis. There is no need to completely remove it from the terminal.
8. Remove the UPS Battery Bracket (one screw).

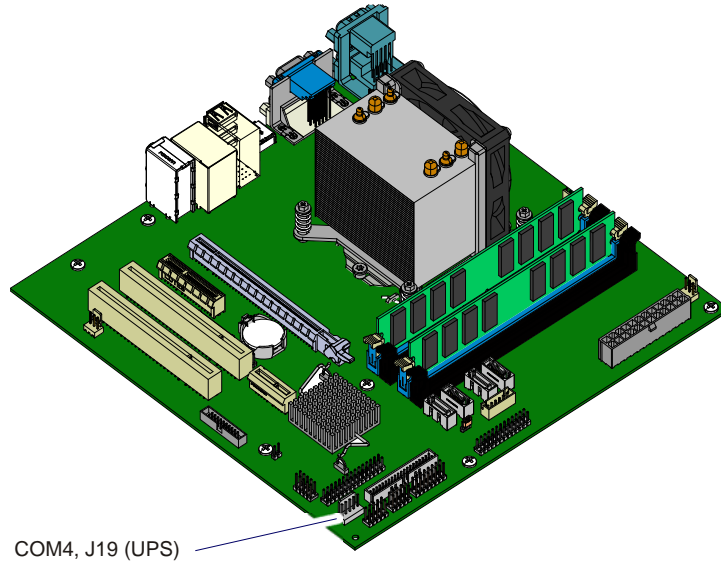


31239

9. Insert the UPS Battery into the chassis as shown. Secure it with the UPS Battery Bracket (one screw).

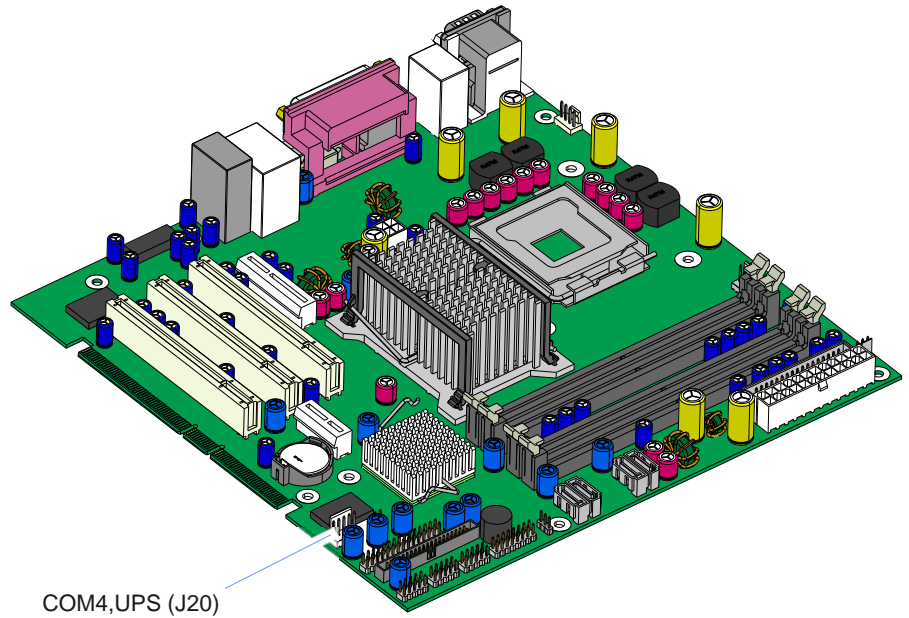


10. Connect the UPS Battery Cable to the Power Supply Harness.
11. Connect the UPS to Serial Cable to the Power Supply Harness and to COM4 on the Motherboard.



COM4, J19 (UPS)

7606 Motherboard



COM4,UPS (J20)

31242

7459 Motherboard

12. Replace the Media Drive Bracket, Top Cover, and Front Cover.