

7459-K172

Internal CD-RW/DVD

ROM Drive

Kit Instructions



Issue B

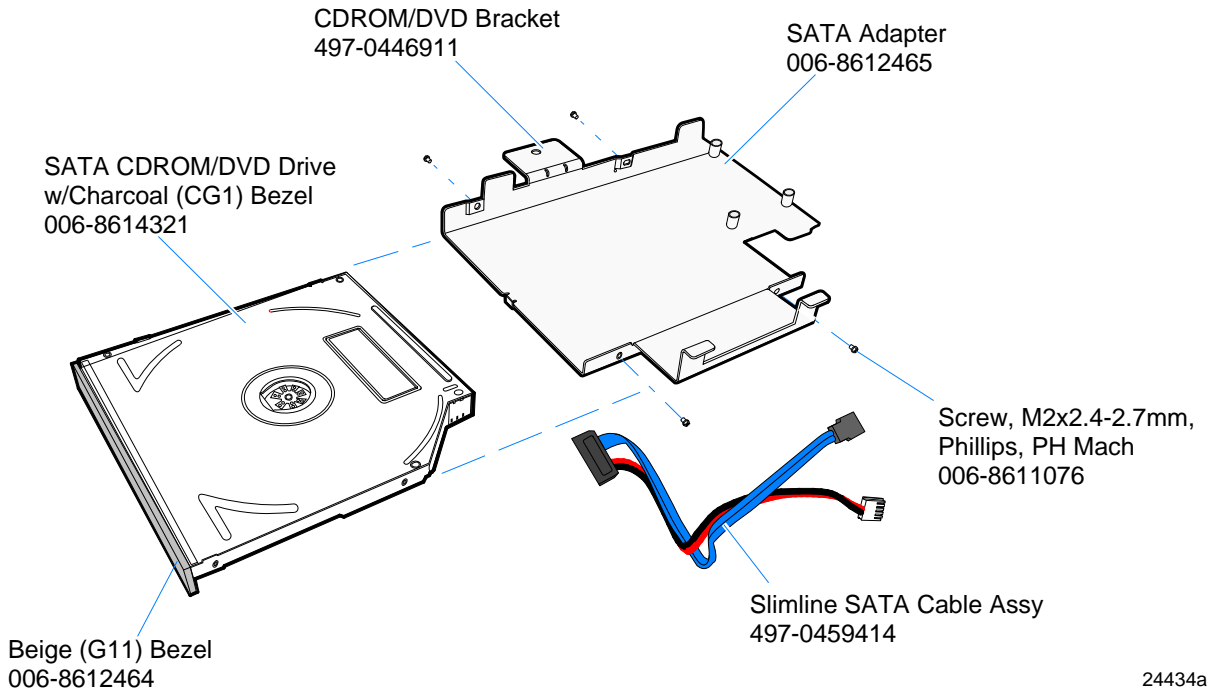
Revision Record

Issue	Date	Remarks
A	Feb 2009	First issue
B	May 2012	Added 7606 support

Introduction

This kit contains a CD read/write and DVD read Slimline drive, bracket, SATA Backplane Board, and SATA Harness to add to the 7459/7606 terminal. Also included are interchangeable beige and charcoal bezels.

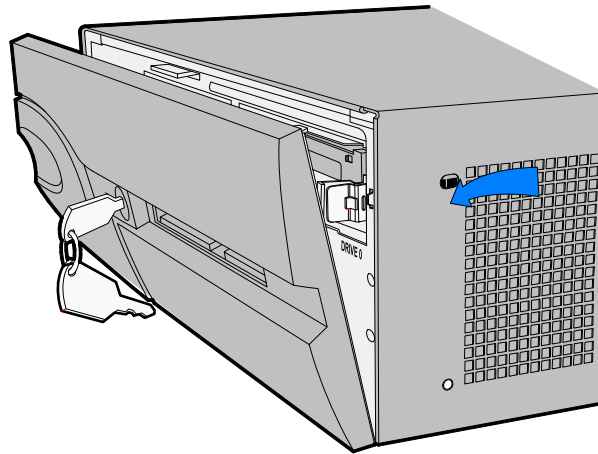
Note: This kit is used in both the 7459 and 7606 terminal. The installation procedures are identical except where noted.



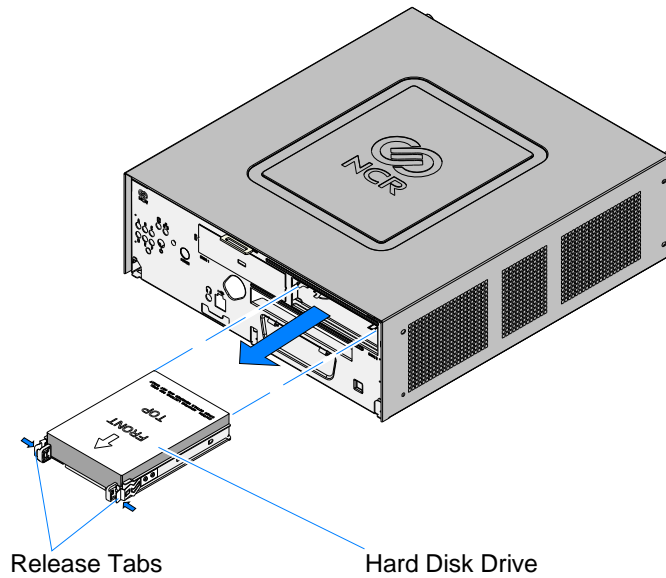
Installation Procedure

Caution: Static Electricity Discharge may permanently damage your system. Discharge any static electricity build up in your body by touching your computer's case for a few seconds. Avoid any contact with internal parts and handle cards only by their external edges.

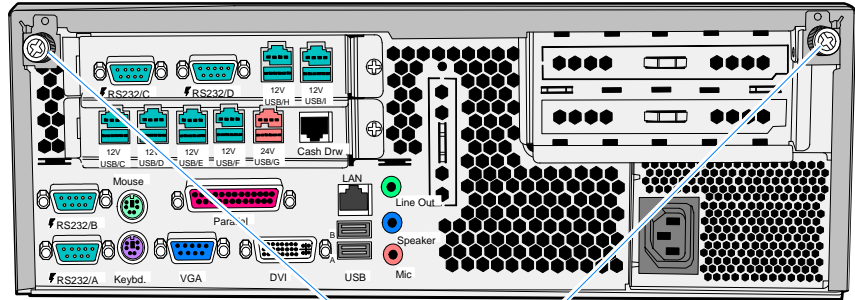
1. Turn Off the power to the terminal. Unplug the terminal's power cord.
2. Remove the Front Cover.
 - a. Turn the Keylock to the unlocked position.
 - b. Pull the top edge of the Front Cover away from the chassis and remove the cover.



3. Remove the primary HDD. Squeeze the Release Tabs on the Hard Drive Bracket and then slide the drive assembly out of the chassis.



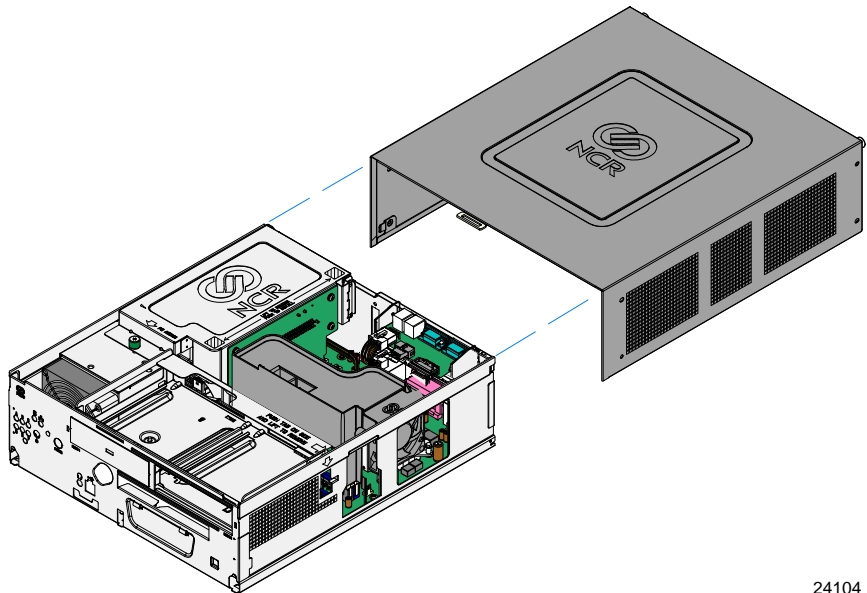
4. Remove the Top Cover.
 - a. Loosen the thumbscrews (2) that secure the Top Cover.



Thumbscrews

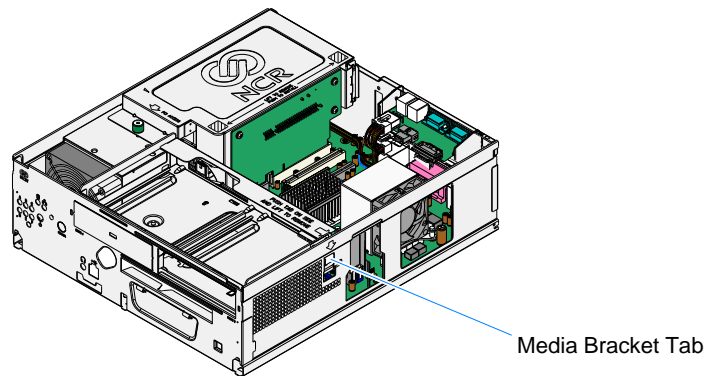
24141

- b. Slide the cover toward the rear of the terminal to remove it.



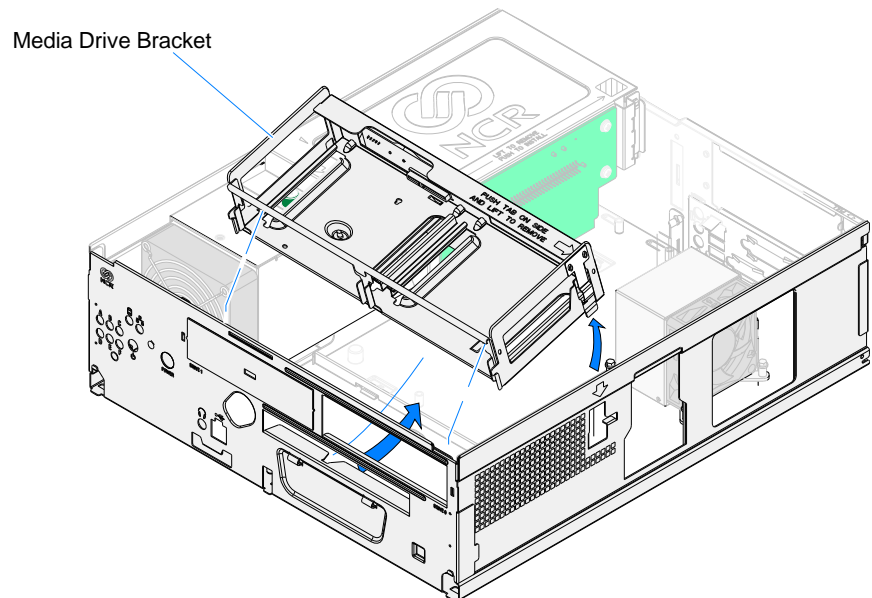
24104

5. Remove the Media Bracket.
 - a. Press on the Media Bracket Tab on the side of the chassis.



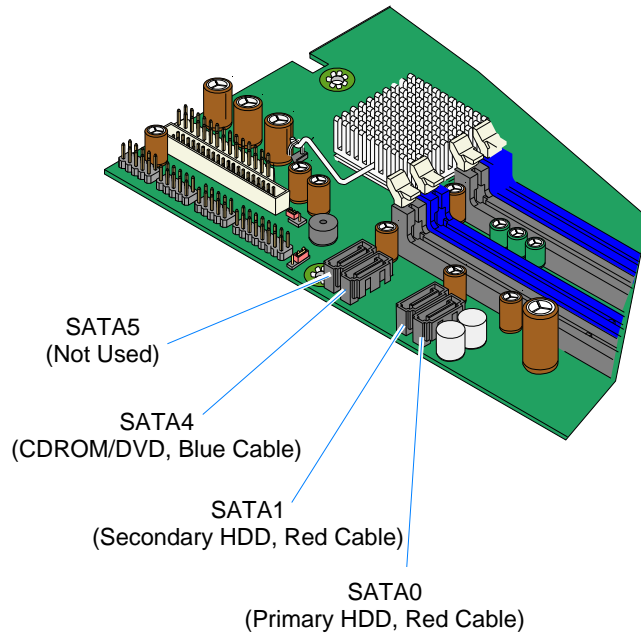
24142

- b. Remove the Media Bracket from the terminal



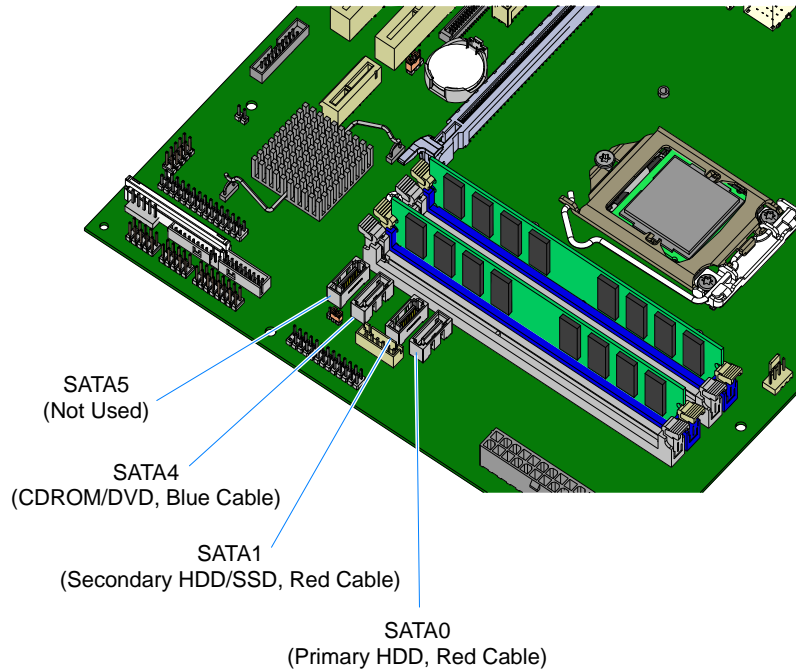
25224

6. Connect the CD/DVD Drive SATA Harness to the SATA4 connector on the Motherboard and to the Power Supply Harness (labeled CD).



24145

7459 Motherboard



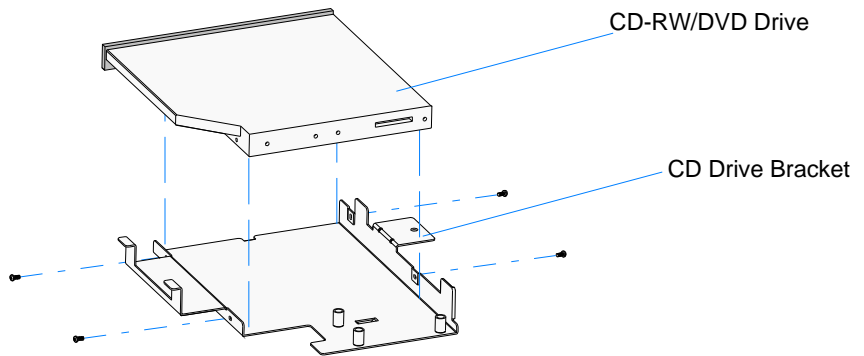
30638

7606 Motherboard

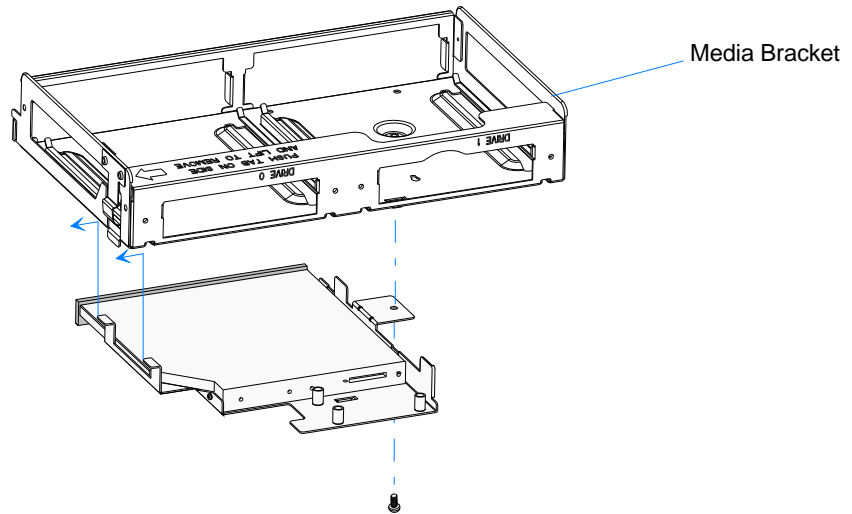
7. Secure the cables in the tie wrap located in the bottom of the chassis. The cables will connect neatly if you place the Secondary HDD Cable in the tie wrap first (if present), then the CDROM/DVD Cable, and then the Primary HDD on top with a half twist in the cable.

8. Install the CD-RW/DVD Drive in the CD Drive Bracket (4 screws).

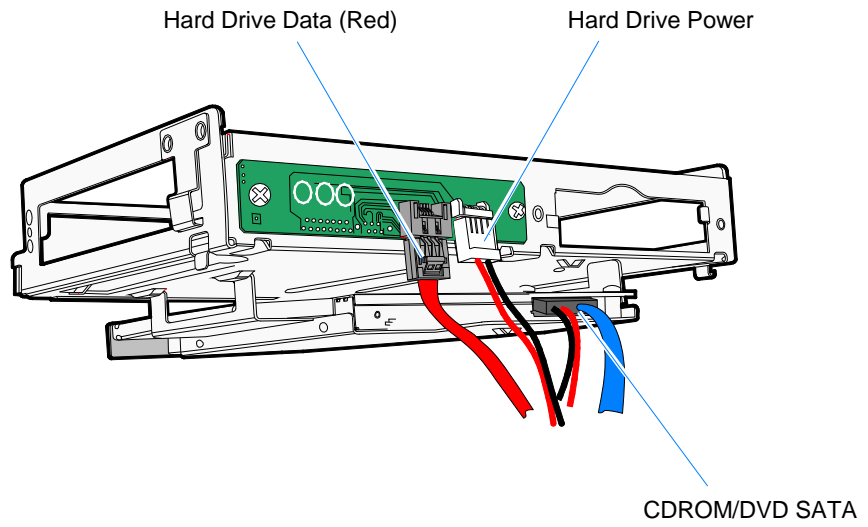
Note: The drive has a charcoal (CG1) bezel install by default. If you need to change to the beige (G11) bezel see the *Changing the CD Drive Bezel* section.



9. Insert the CD Bracket extensions into the slots in the bottom of the Media Bracket and secure the bracket with a screw.



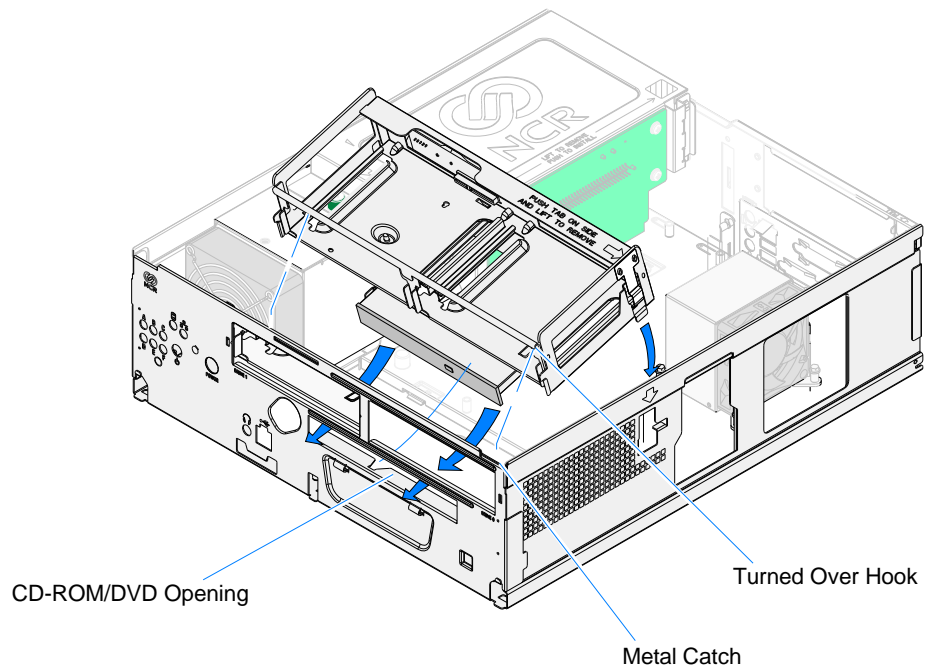
10. Connect the CD/DVD Data and Power harnesses to the drive.



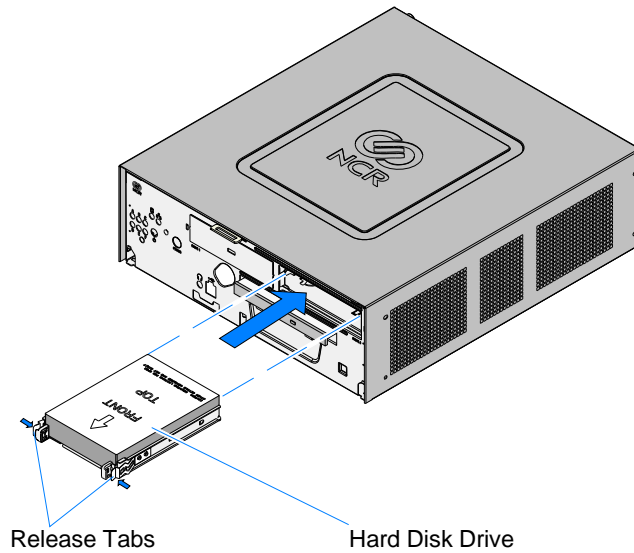
11. Install the Media Bracket Assembly into the chassis, inserting the CDROM/DVD Drive into the opening in the front of the chassis.

Note: Be sure to hook the front edge of the Media Bracket onto the metal catch on the front of the chassis.

12. Rotate the back of the Media Bracket down into the chassis until it latches.



13. Reinstall the Top Cover.
14. Insert the HDD into the slot in the terminal

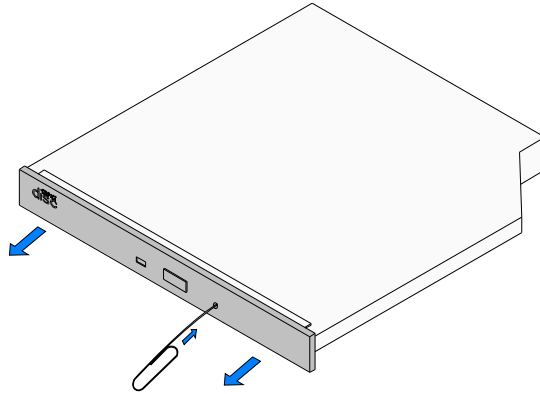


24107a

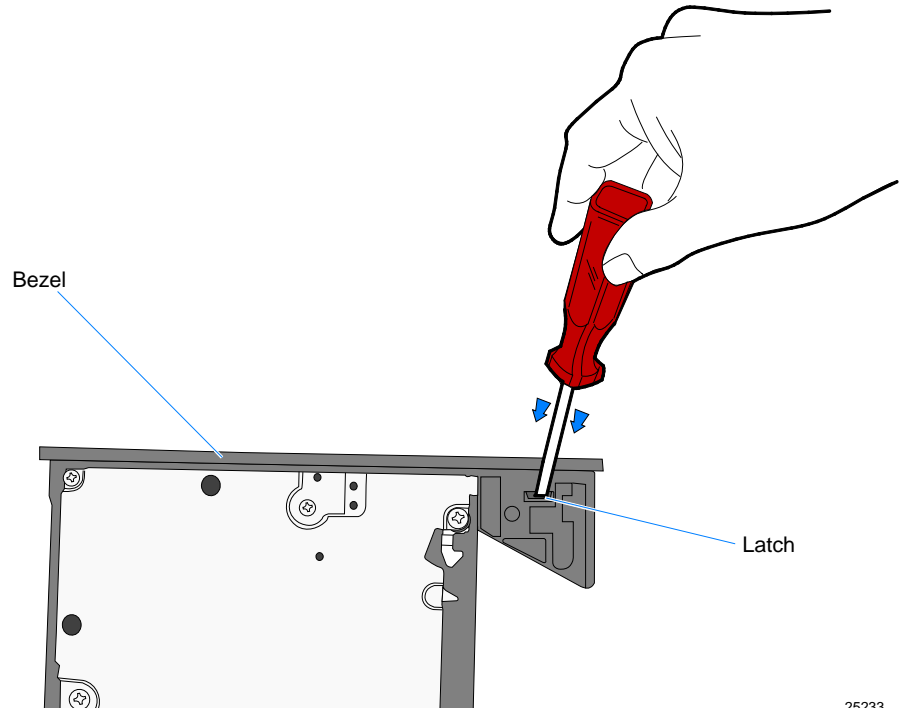
15. Replace the Front Cover.

Changing the CD Drive Bezel

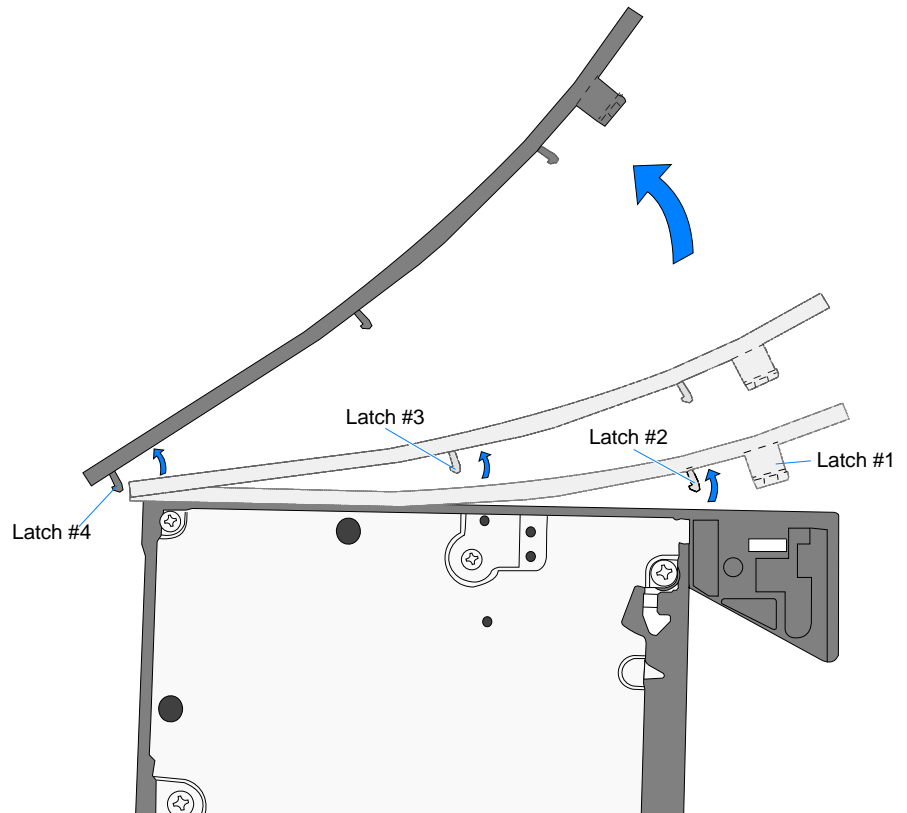
1. Eject the CD Tray. Insert a small object, such as the end of a paper clip, into the Emergency Hole.



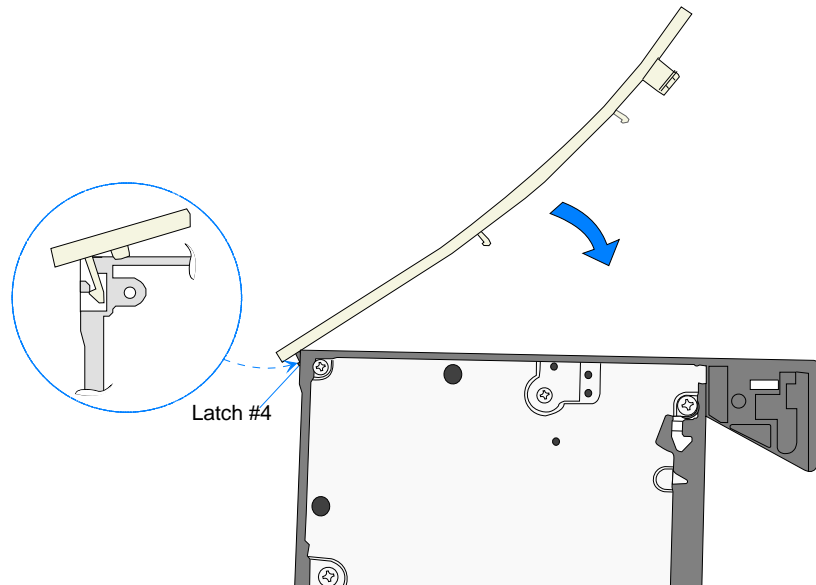
2. Insert a small screwdriver (1/8") in the tray to unhook the first snap latch on the end of the Bezel.



3. Remove the Bezel by bending it away from the Tray, disconnecting each latch in sequence as shown below (Latch #1 → 2 → 3 → 4). Latch #4 is disconnected by pivoting the Bezel completely away from the Tray.

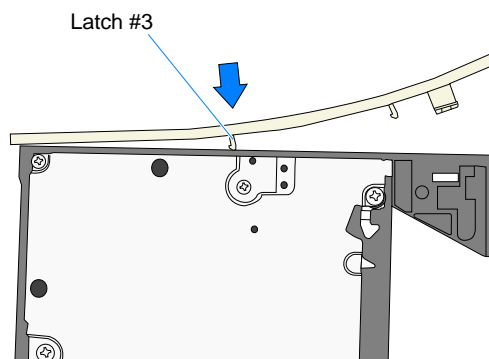


4. Install the new Bezel
 - a. Insert Latch #4 into the Tray and pivot the Bezel as shown.



25235

- b. Snap Latch #3 into the Tray.



25236

- c. Straighten out the Bezel and snap Latch #2 and Latch #1 into the Tray at the same time.

