

Kit Instructions

Peripheral Integration, Blk7, XR6

7603-K507
Issue A



The product described in this document is a licensed product of NCR Corporation.

NCR is a registered trademark of NCR Corporation. NCR RealPOS is a trademark of NCR Corporation in the United States and/or other countries. Other product names mentioned in this publication may be trademarks or registered trademarks of their respective companies and are hereby acknowledged.

The terms HDMI and HDMI High-Definition Multimedia Interface, and the HDMI Logo are trademarks or registered trademarks of HDMI Licensing LLC in the United States and other countries.

Where creation of derivative works, modifications or copies of this NCR copyrighted documentation is permitted under the terms and conditions of an agreement you have with NCR, NCR's copyright notice must be included.

It is the policy of NCR Corporation (NCR) to improve products as new technology, components, software, and firmware become available. NCR, therefore, reserves the right to change specifications without prior notice.

All features, functions, and operations described herein may not be marketed by NCR in all parts of the world. In some instances, photographs are of equipment prototypes. Therefore, before using this document, consult with your NCR representative or NCR office for information that is applicable and current.

To maintain the quality of our publications, we need your comments on the accuracy, clarity, organization, and value of this book. Please use the link below to send your comments.

Email: FD230036@ncr.com

Copyright © 2020
By NCR Corporation
Global Headquarters
864 Spring St NW
Atlanta, GA 30308
U.S.A.
All Rights Reserved

Revision Record

Issue	Date	Remarks
A	May 2021	First Issue

7603-K507 Peripheral Integration, Blk7, XR6

The Peripheral Integration kit provides the necessary components for integrating the keyboard, display, printer, and cash drawer with the NCR RealPOS XR6 (7603). This kit supports NCR USB Big Ticket Keyboard, NCR Compact Alphanumeric POS Keyboard, or no keyboard configuration.

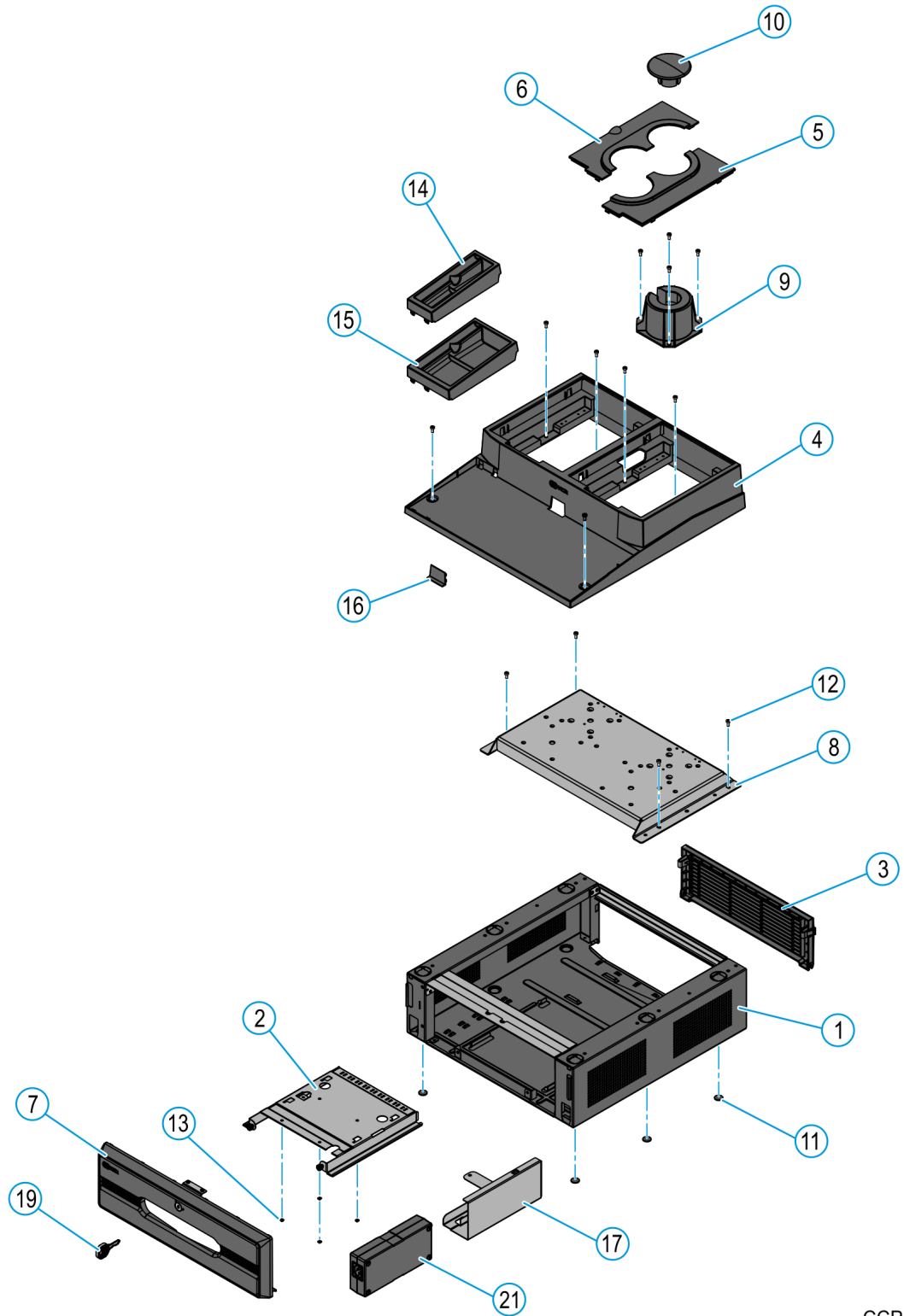
The Peripheral Integration kit include all the parts needed for integrating most NCR peripherals with the XR6 terminal, with the following important exceptions:

- For a 64-key POS Keyboard, order tray insert 7459-K325 (available in beige only)
- For 719x Thermal Printers, order tray insert or 7606-K323 (Black)
- For a 7199 Thermal Printer, order tray insert 7607-K324 (Black)
- For DynaKey, Touch, and LCD Operator Displays, order swivel mount or 5968-K024 (Black)
- For 597x Customer Displays, order short or long post options (required for remote or integrated configuration)



Note: For additional configuration guidelines, refer to [Installing Peripherals](#) on page 12

Kit Contents



Part Number		Description
497-0510707		Kit, Peripheral Integration, Blk7, XR6
1	497-0510492	Chassis, Integration, Blk7, XR8/6
2	497-0509536	Bracket, Integration Mount, XR8/6
3	497-0450626	Cable Cover, 7606, Blk7
4	497-0503922	Tray, Integration, Blk7, 7606
5	497-0503923	Skirt, Swing Arm, Left, Blk7, 7606
6	497-0503924	Skirt, Swing Arm, Right, Blk7, 7606
7	497-0509618	Assembly, Bezel, Integration, Blk7, XR6
8	497-0511268	Bracket, Tray Support, XR8 Integration
9	497-0427333	Customer Display Post, Blk7, 7606
10	497-0427258	Filler Cap For No Customer Display, Blk7, 7606
11	497-0526168	Rubber Foot (6 pcs)
12	006-8611339	Screw-Ph Phillips (8-32X.375) (14 pcs)
13	006-8624432	Screw, M4X6, Black, Pan, Sems (4 pcs)
14	497-0503925	Filler, Compact Alpha With MSR, Blk7, 7606
15	497-0503926	Filler, Compact Alpha Without MSR, Blk7, 7606
16	497-0503927	Plug, Integration Tray, Blk7, 7606
17	497-0509544	Bracket, Power Supply Mount, XR6
18*	006-8623359	Bag, 2X2 Zip Lock (5 pcs)
19	497-0457746	Key, 7403
20*	497-0475090	Cbl, 24Vdc Pwr Supply, DC Extension
21	497-0505336	Switching Power Supply External 24V Adapter For 7649 (150W)
22*	497-0511876	Assy Pack- For 7603/7607 Integration Kit
23*	497-0423108	Instructions-Kit (Reference Sheet)

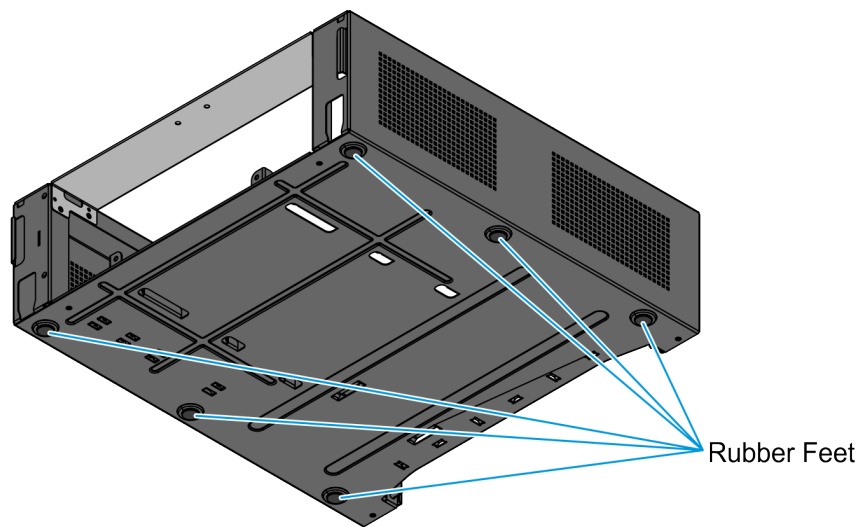
Installation Procedures

Installing and using the Peripheral Integration kit involves the following procedures:

1. Assemble the Integration kit. For more information, refer to [Assembling the Integration Kit](#) on the facing page.
2. Install the XR6 terminal into the Integration Chassis. For more information, refer to [Installing the Terminal](#) on page 8
3. Install the Bezel. For more information, refer to [Installing the Bezel](#) on page 11
4. Install the peripherals into the Integration Tray. For more information, refer to [Installing Peripherals](#) on page 12
5. Install the Cash Drawer. For more information, refer to [Installing the Cash Drawer](#) on page 36
6. Install the Swing Arm Skirts. For more information, refer to [Installing the Swing Arm Skirts](#) on page 39
7. Install the Cable Cover. For more information, refer to [Installing the Cable Cover](#) on page 41.

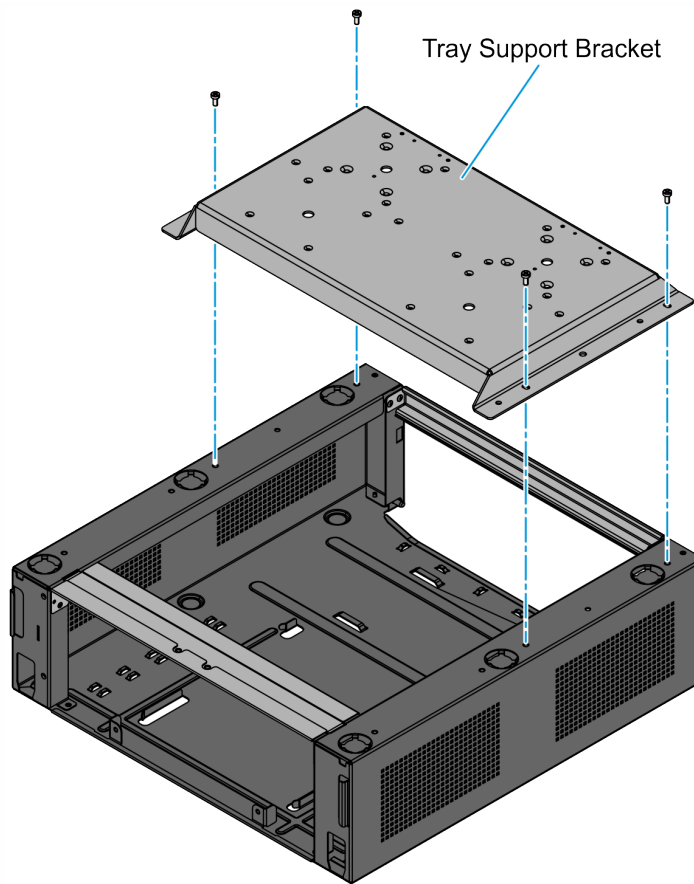
Assembling the Integration Kit

1. Attach the six rubber feet to the bottom of the chassis.



CCP-80609

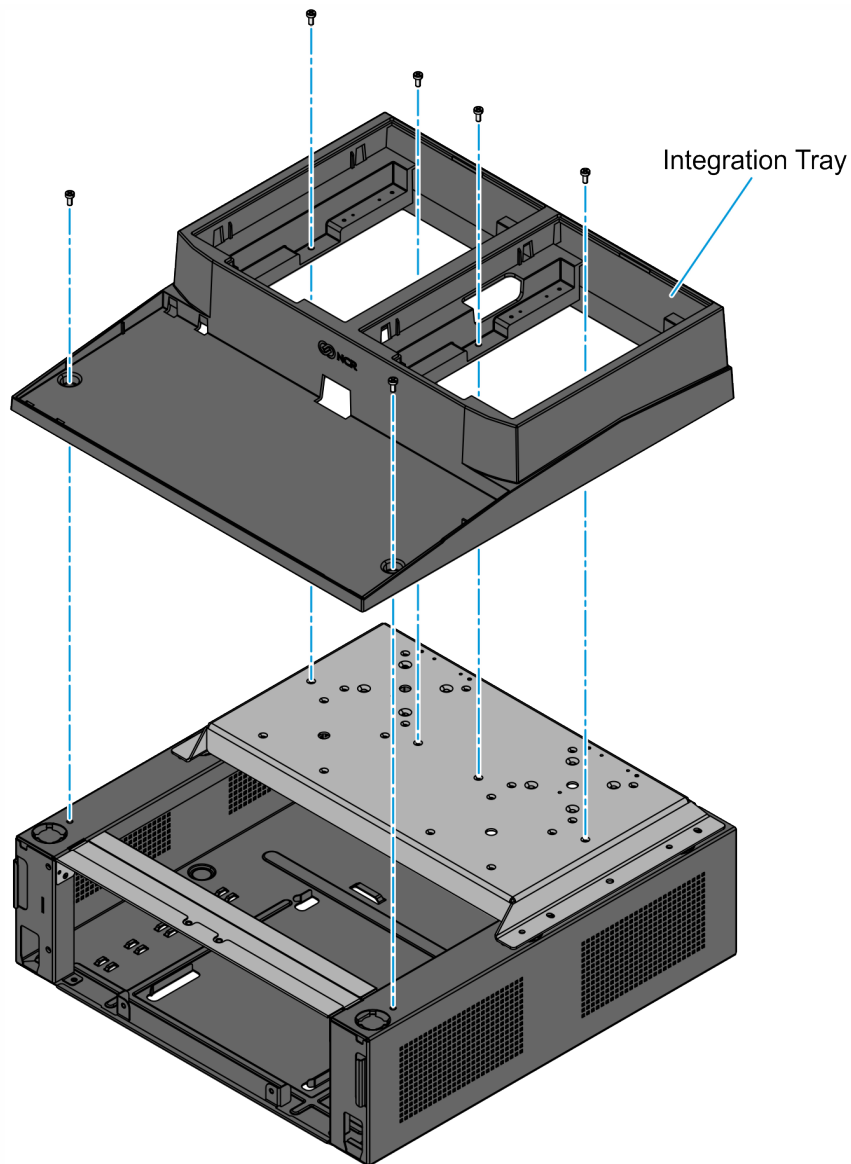
2. Install the Tray Support Bracket. The side with more Display Pole mounting holes must be near the back of the chassis.



CCP-80610

- a. Position the Tray Support Bracket onto the chassis.
- b. Align the mounting holes on the bracket with the mounting holes on the chassis, and secure the bracket using four #8 Phillips screws.

3. Install the Integration Tray.



CCP-80611

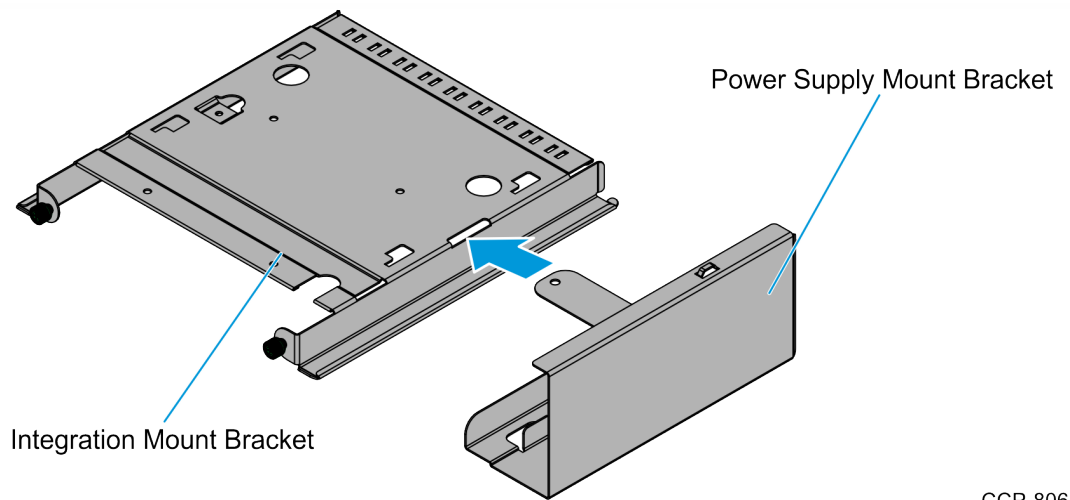
- a. Position the Integration Tray on top of the chassis and bracket assembly.
- b. Align the mounting holes on the tray with the mounting holes on the chassis and the bracket, and secure the tray using six #8 Phillips screws.



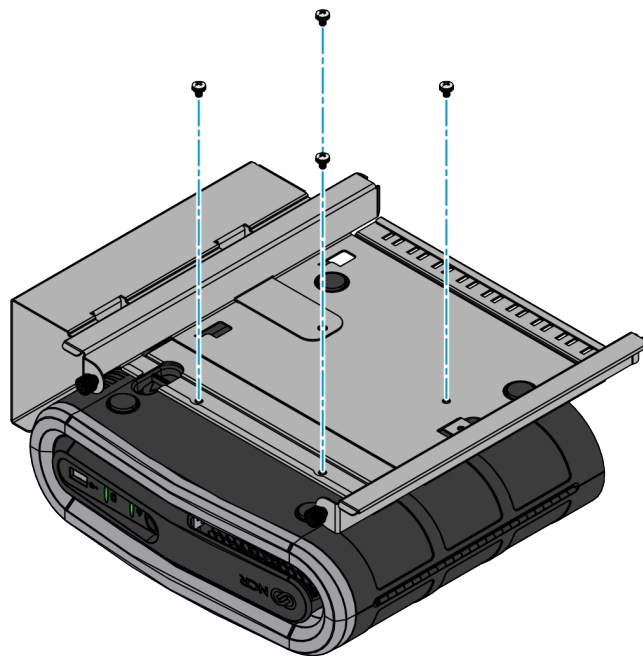
Note: To insure proper alignment of the Integration Tray Top, do not fully tighten the screws until all of them are in place. This allows the Tray Top to be shifted easily so all screws can be properly seated.

Installing the Terminal

1. Assemble the Integration Mount Bracket and the Power Supply Mount Bracket.

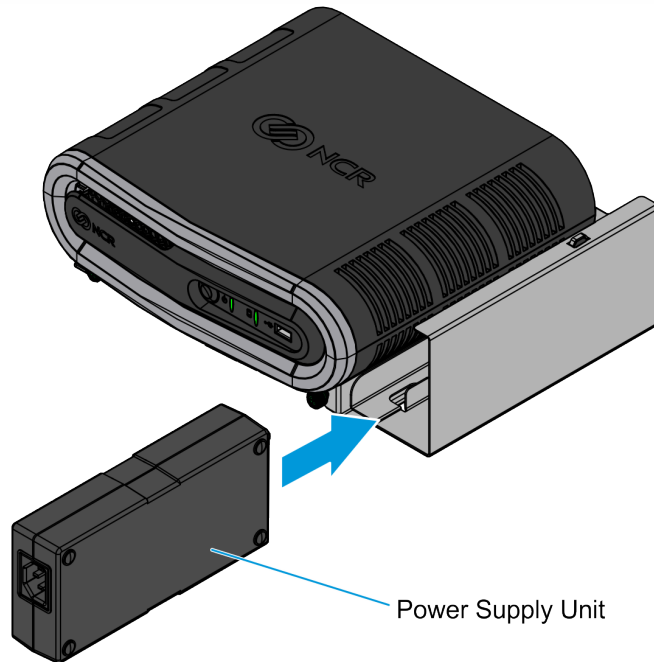


2. Mount the XR6 terminal onto its mounting bracket.



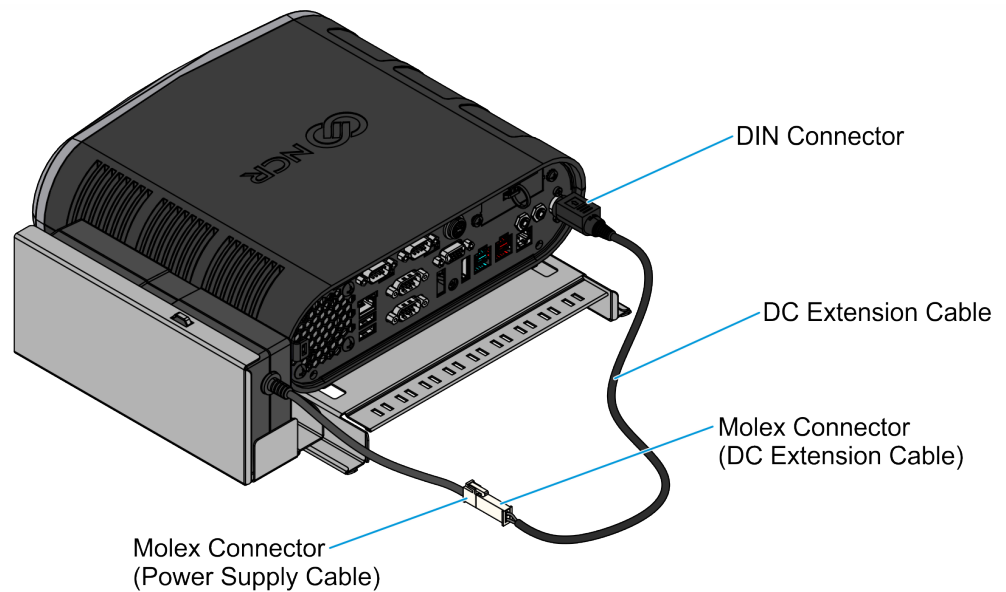
- a. Place the terminal upside down on a flat surface.
- b. Position the mounting brackets assembly on top of the terminal.
- c. Align the mounting holes on the terminal bracket with the mounting holes on the bottom of the terminal, and secure using four M4X6 screws.

3. Turn the assembly back into its upright position and install the Power Supply Unit (PSU).
 - a. Insert the PSU into its mounting bracket.



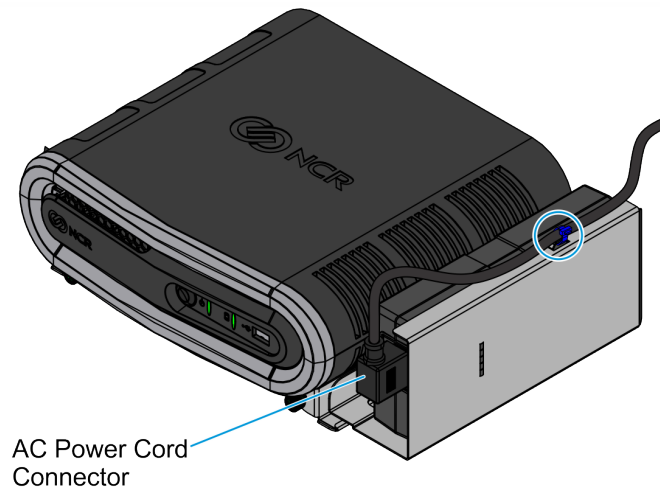
CCP-80616

- b. Connect the DC Extension Cable.
 - Connect the Molex connector or the extension cable to the Molex connector of the PSU.
 - Connect the DIN connector of the extension cable to the 24V DC-In port of the terminal.



CCP-80619

- c. Connect the AC Power Cord to the PSU and use a cable tie to secure the cable to the mounting bracket.

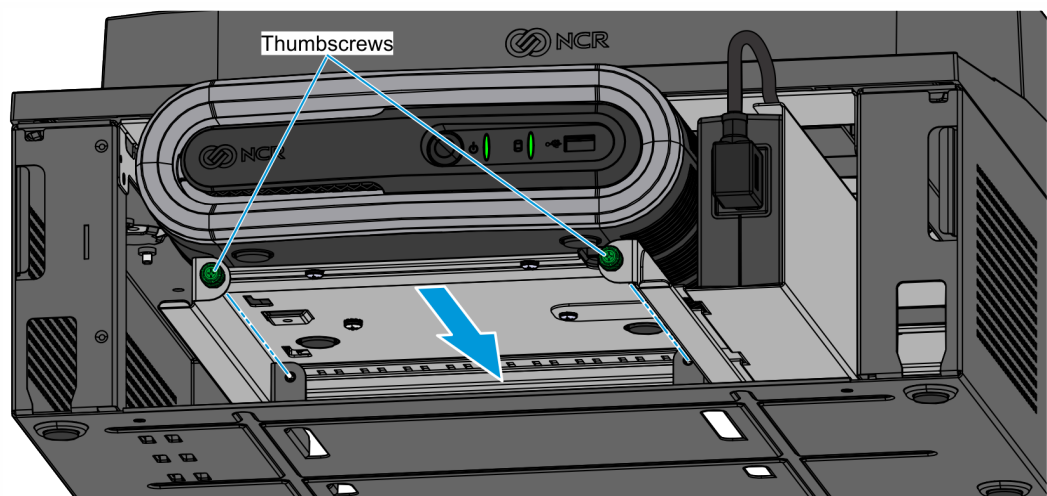


CCP-80620

4. Slide the terminal and PSU assembly into the chassis, and tighten the two thumbscrews to secure the assembly to the chassis.



Caution: Ensure that no cables are pinched.

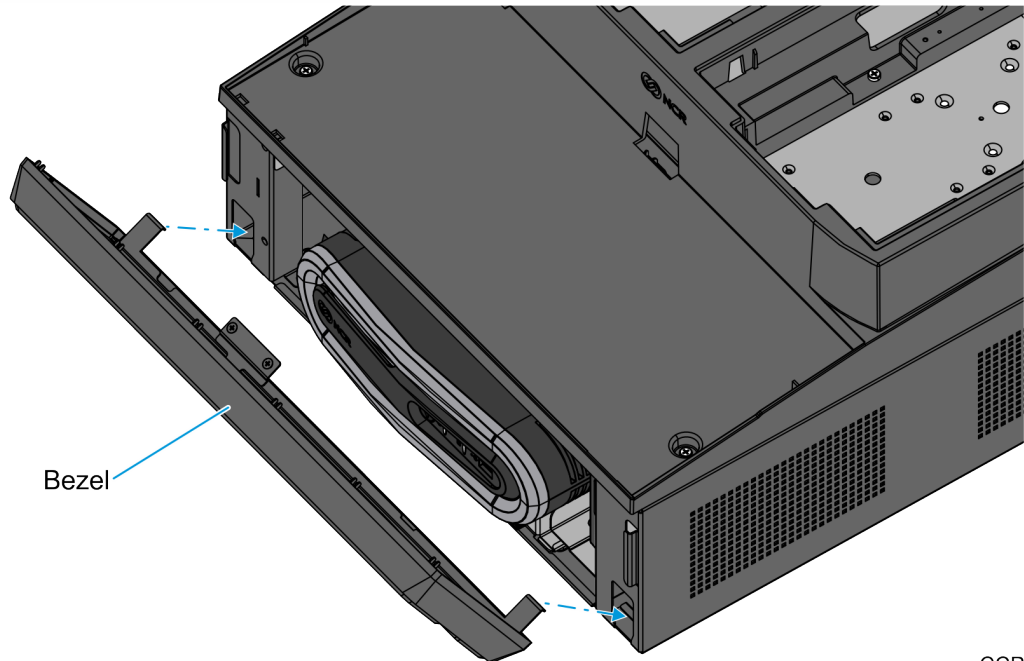


CCP-80615

5. Route the AC Power Cord towards the back and out of the chassis.

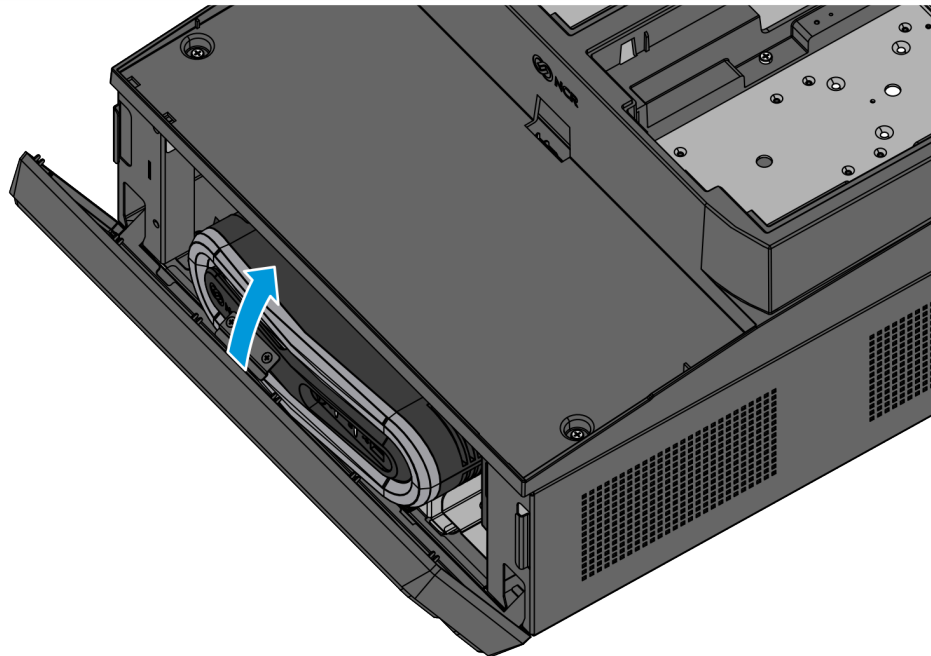
Installing the Bezel

1. Turn the Key to the unlocked position.
2. Insert the Bezel hooks into their slots on the front of the chassis.



CCP-80642

3. Pivot the Bezel upward until it snaps into position.



CCP-80641

4. Turn the Key to the locked position.

Installing Peripherals



Note: Take note of the following configuration guidelines when installing peripherals:

- When configuring integrated peripherals, always select the shorter option for power cable and communication cable for the device where available.
- The keyboard well within the Integration Tray is designed so that no special filler piece or insert is required for configurations with a PC keyboard or no keyboard at all.
- For configurations without a customer display, a filler cap is included for the customer display mount in the standard Peripheral Integration kit.
- A keyboard well filler is available (7459-K318 Charcoal Gray) in order to provide a flush surface for large third-party keyboards that exceed the width of the Integration Tray.
- The NCR peripherals listed below are physically NOT supported within an integrated XR6 configuration:
 - PS/2 Big Ticket Keyboard
 - 5982 6.5" Color LCD VGA Customer Display
 - 7162 Impact Printer (no printer, or other third-party printer configurations)
 - 2189, 2186, or other cash drawers

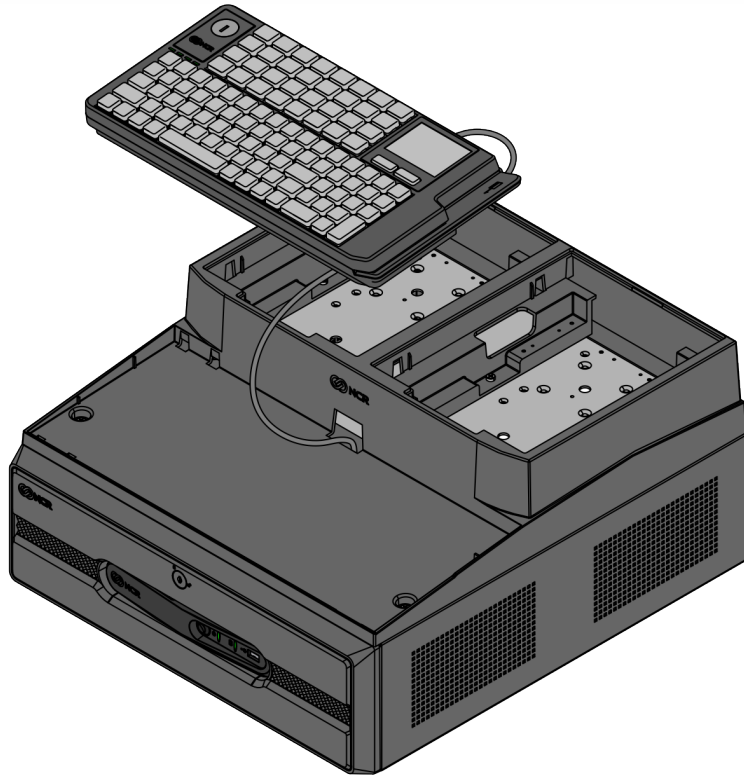
Installing the Keyboard

Keyboard installation varies depending on the type of keyboard used.

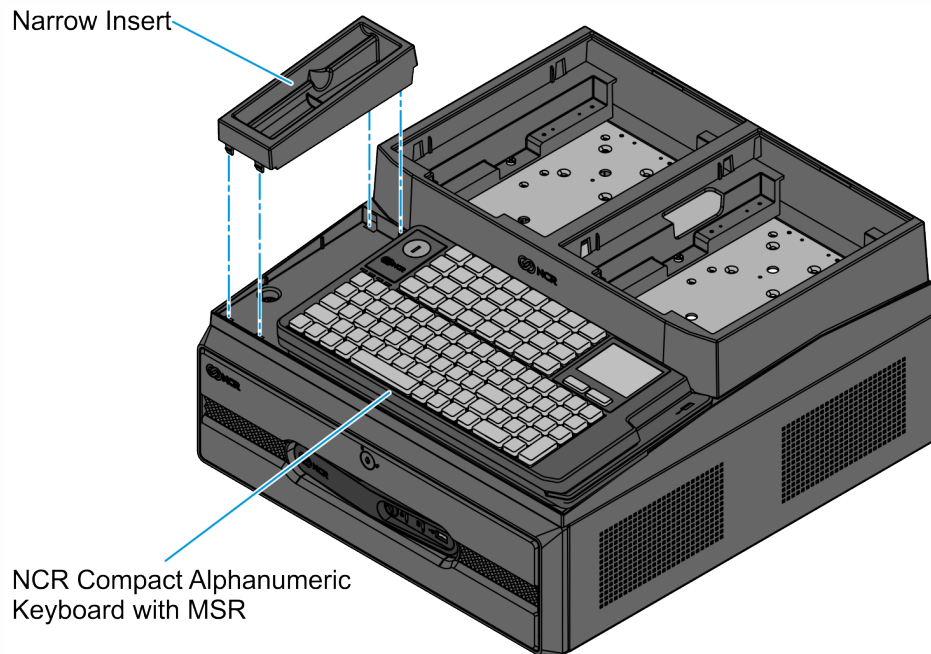


Note: For configurations without a keyboard, refer to [No Keyboard](#) on page 16

1. Insert the Keyboard Cable into the cable access hole on the front of the Integration Tray and route it under the Integration Tray.



2. Place the Keyboard on the tray and install the appropriate filler.

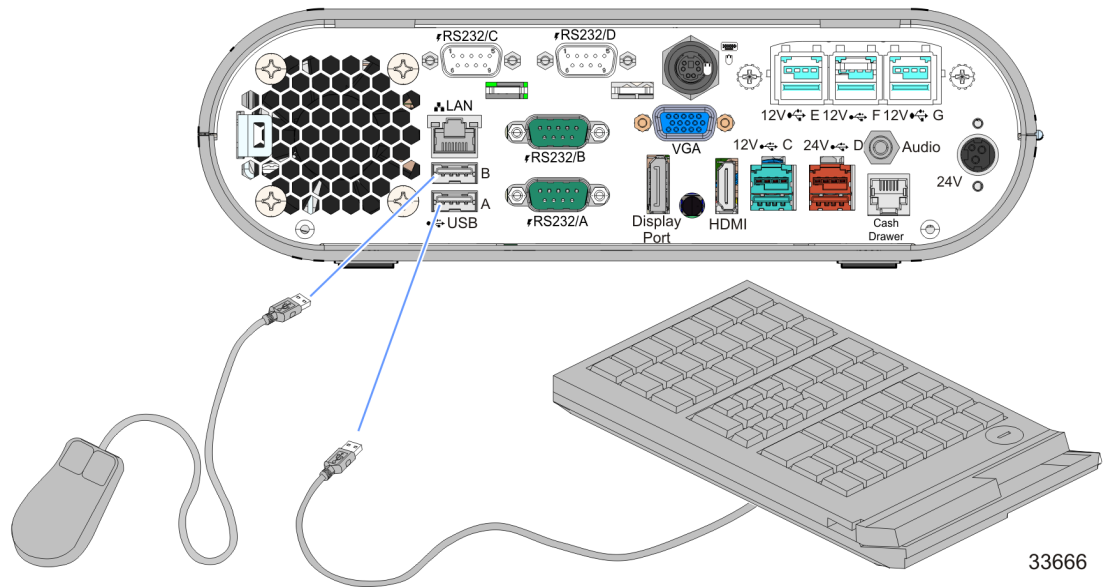


CCP-80644

- For NCR Big Ticket USB Keyboard, no filler is required.
 - For NCR Compact Alphanumeric Keyboard with MSR, use the narrow filler (item #14 on the [Kit Contents](#)).
 - For NCR Compact Alphanumeric Keyboard without MSR, use the wide filler (item #15 on the [Kit Contents](#)).
 - For NCR 64-Key POS Keyboard, use kit 7459-K325.
 - For a third-party keyboard, use kit 7459-K318.
3. Connect the Keyboard Cable to the terminal. For more information, refer to [Connecting the Keyboard Cable](#) on the facing page

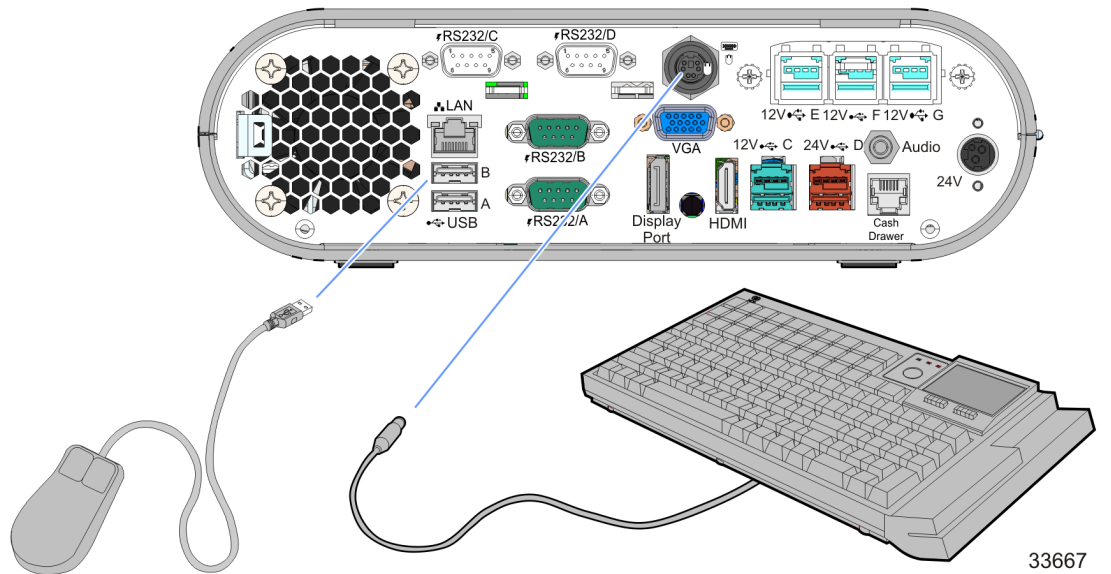
Connecting the Keyboard Cable

The 7603 supports USB and PS/2 type keyboards. See the following examples of supported configurations.



33666

USB Keyboard and USB Mouse

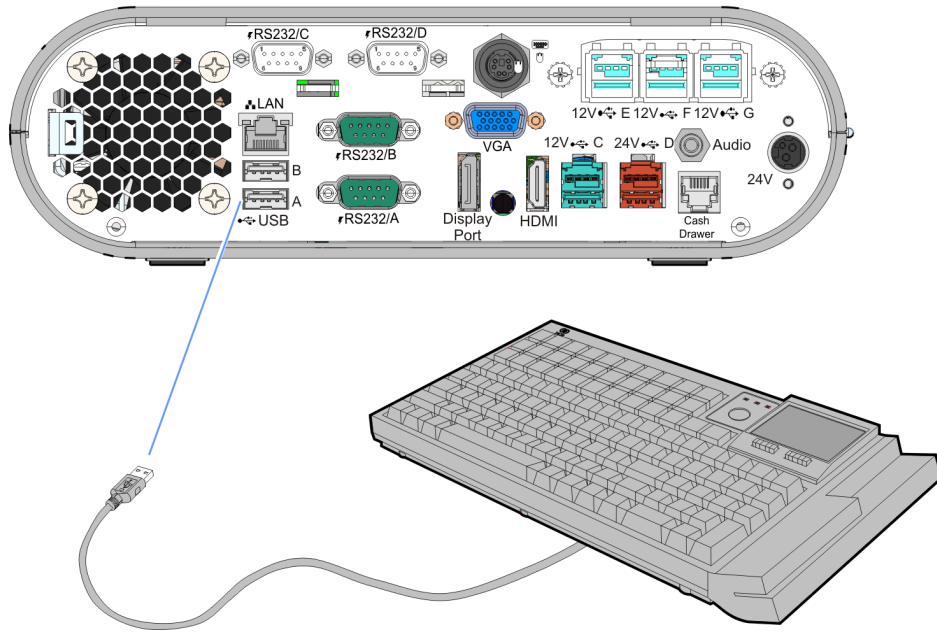


33667

PS/2 Keyboard and USB Mouse



Note: PS/2 Extension Cables cannot be used on PS/2 Keyboards with a Glide Pad.

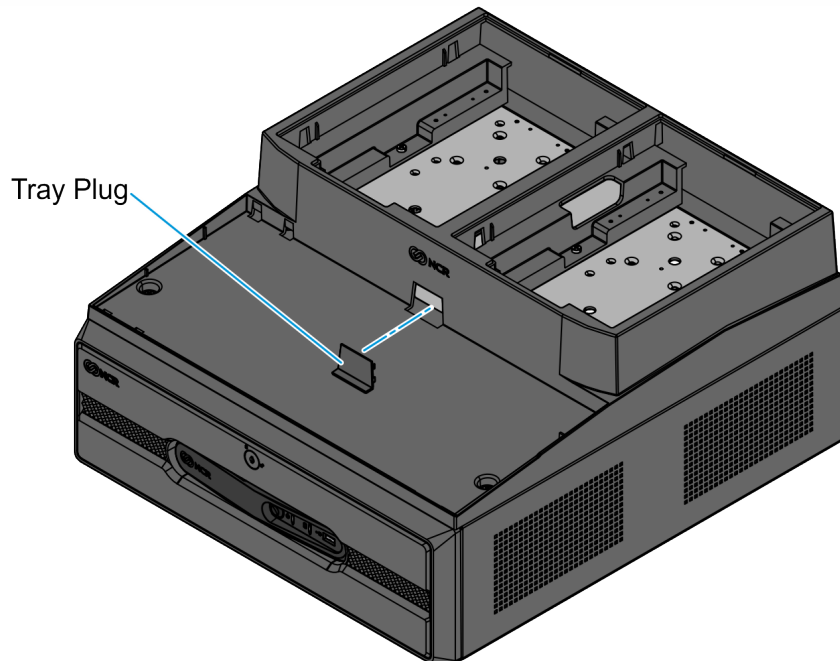


33668

USB Keyboard w/Glide Pad

No Keyboard

If a keyboard is not used, install the Integration Tray Plug onto the cable access hole on the front of the Integration Tray.



CCP-80643

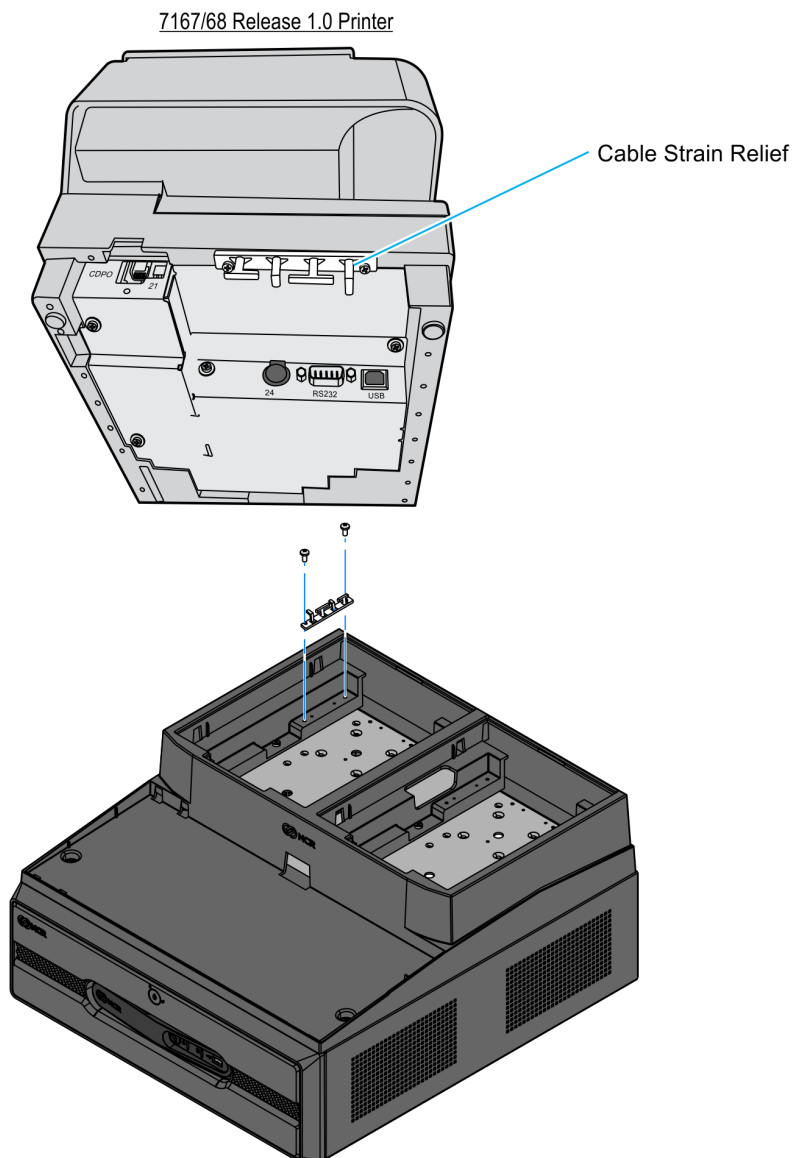
Installing the Transaction Printer

The NCR 7167, 7168, 7197, 7198, or 7199 printer can be located on either side of the Integration Tray.

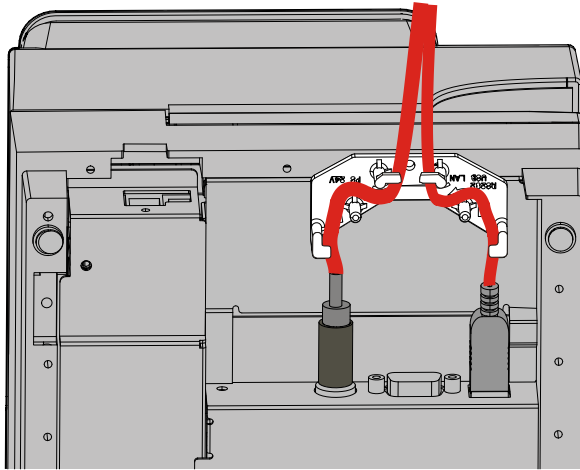


Note: The Printer Cable Strain Relief is different on the Release 1.0 and the Series II printers. The Cable Strain Relief on Release 1.0 printers prevents the printer from sitting properly in the Integration Tray and must be removed from the printer and installed in the Integration Tray.

1. If installing an **NCR 7167/7168 Release 1.0** printer, remove the Cable Strain Relief from the back of the printer and install it on the Integration Tray using the same screws. The printer will not sit properly in the tray with the Cable Strain Relief installed.

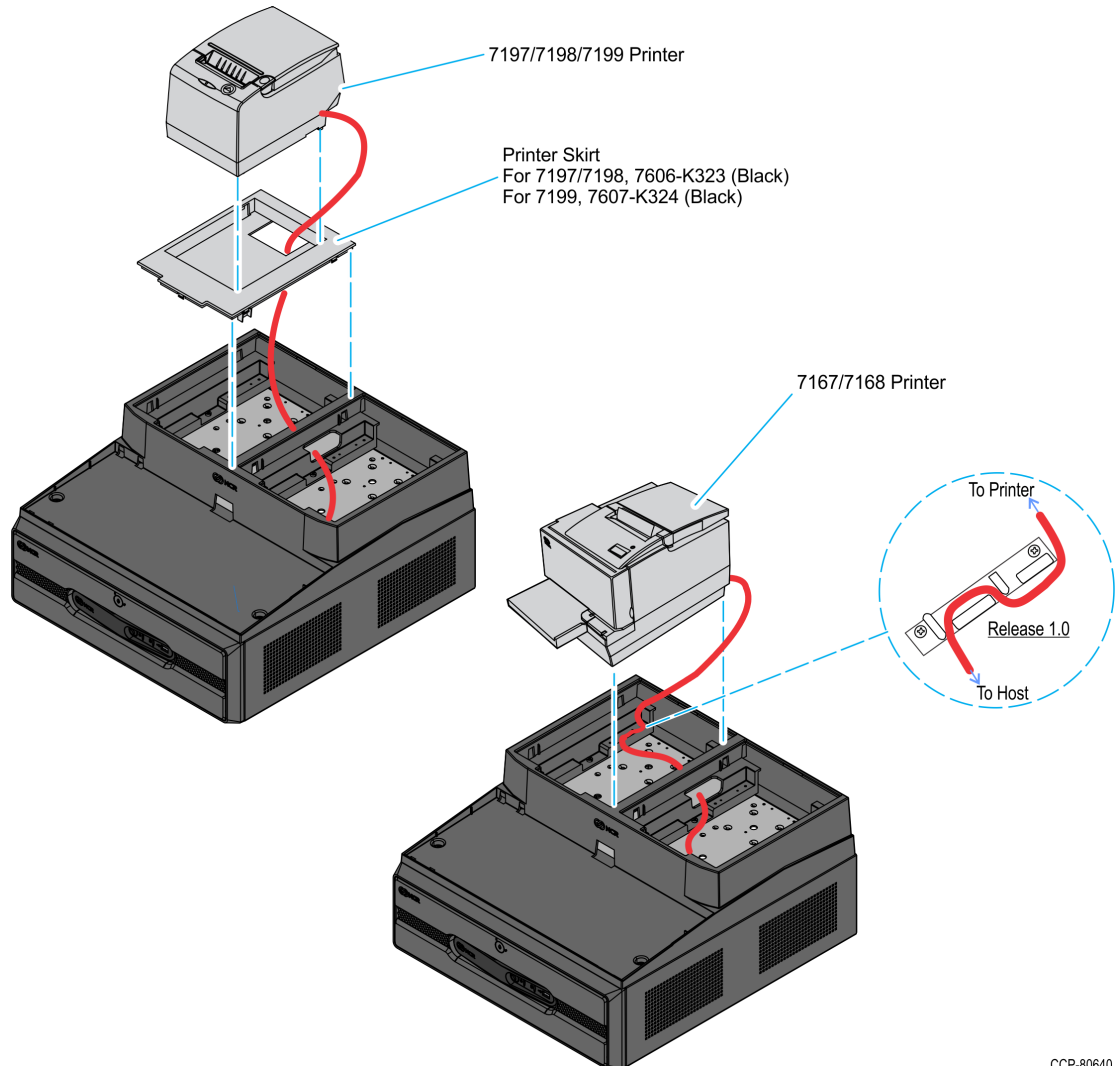


2. Connect the Printer Cable to the USB and Power connectors.
3. If installing a **Series II** printer, route the cable through the Cable Strain Relief on the printer as shown in the following image.



33279a

4. Route the printer cable out the back of the terminal and set the printer in the tray opening.
 - For **NCR 7197/7198/7199**, first install the Printer Skirt, route the cable out the back of the terminal, and then set the printer in the Integration Tray.
 - For **NCR 7167/7168**, route the cable through the Cable Strain Relief and then set the printer in the cabinet.

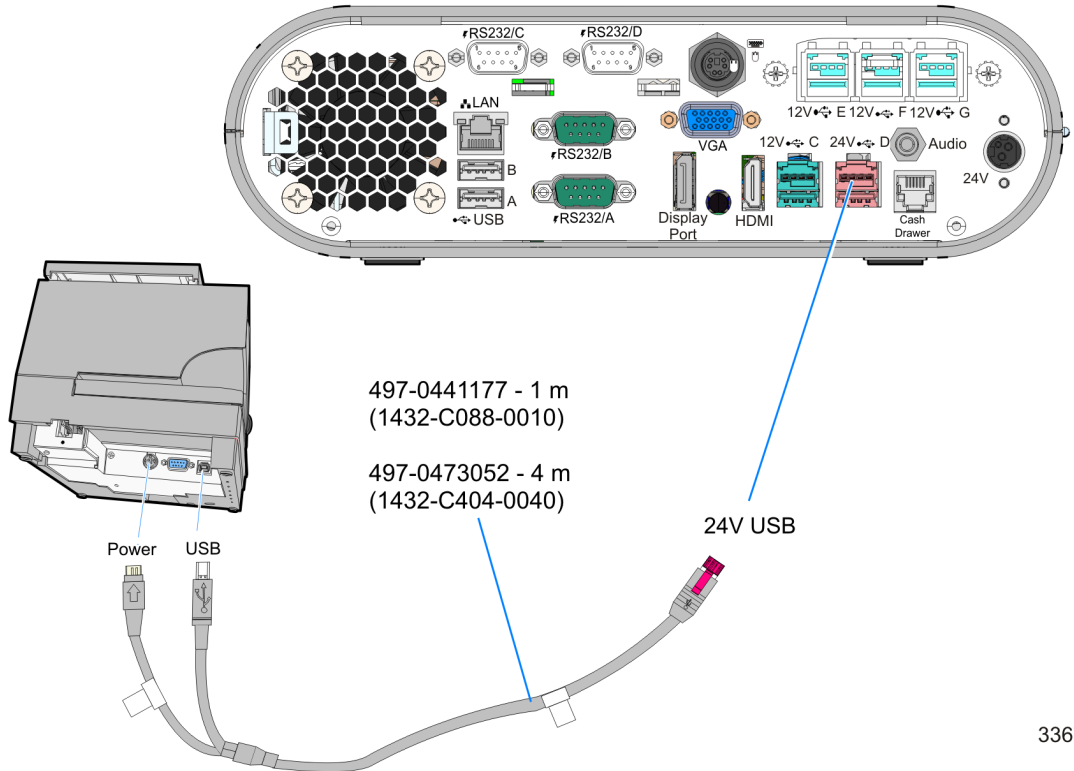


Connecting Printer Cables

The printers can connect through a USB connector or an RS-232 connector. It receives power through a Powered USB power cable.

USB Installation

Connect the Powered USB Printer Interface Cable to the *USB Connector* and *Power Connector* on the printer and to the *24 V Powered USB Connector* on the terminal.



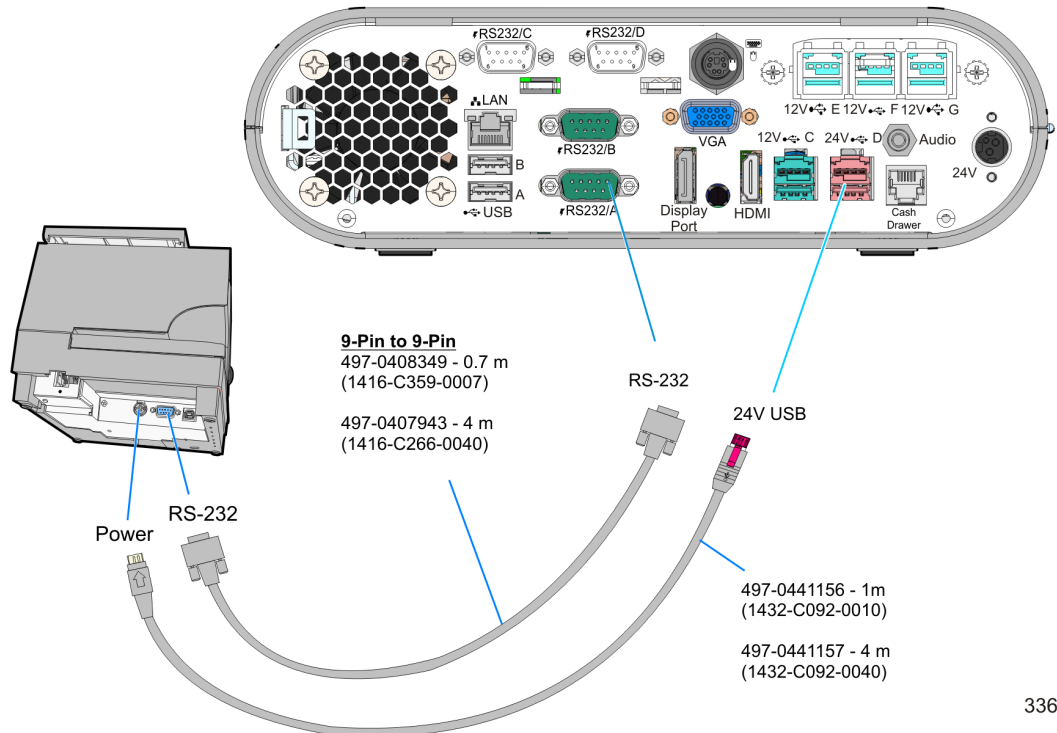
RS-232 Installation

1. Connect the RS-232 Printer Interface Cable to the RS-232 connector on the printer and to a **non-powered** RS-232 connector on the terminal.



Note: The factory default setting for the RS-232 ports is **powered**. See the Appendix: Powered Serial Port Settings.

2. Connect the Powered USB Printer Interface Cable to the *Power Connector* on the printer and to the *24V Powered USB Connector* on the terminal.



Installing the Operator Display

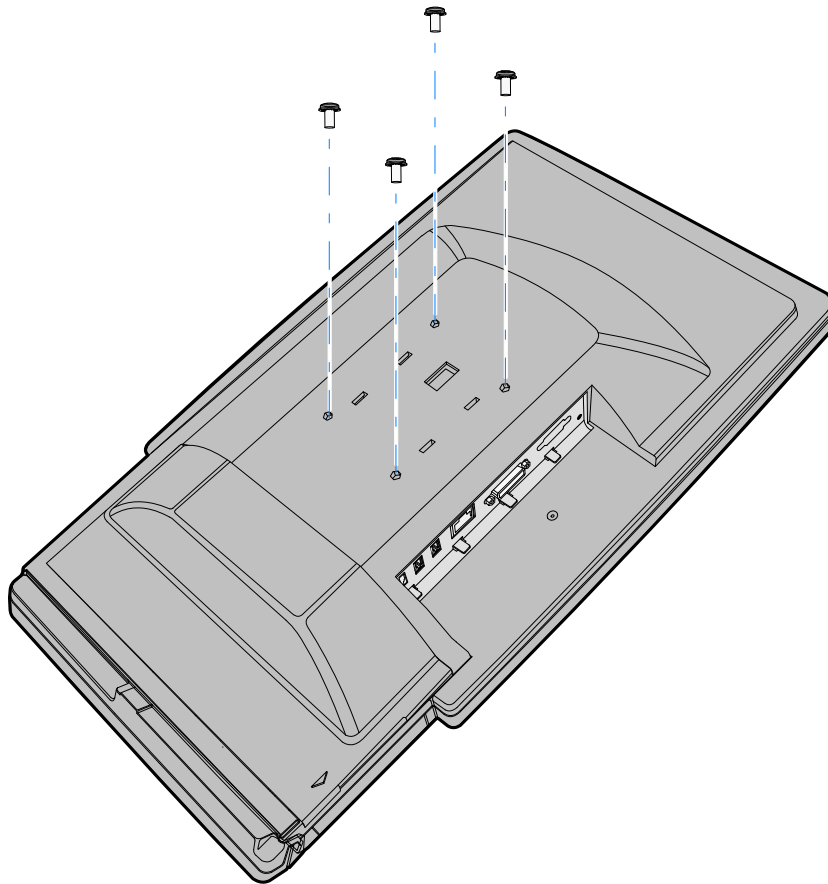
The Operator Display can be installed on the right, left, front, or rear of the tray. Consideration should be given to the total terminal configuration to obtain satisfactory clearances. When there is no Customer Display the recommended location for the Operator Display is the back position, thus minimizing the overhang of the display.

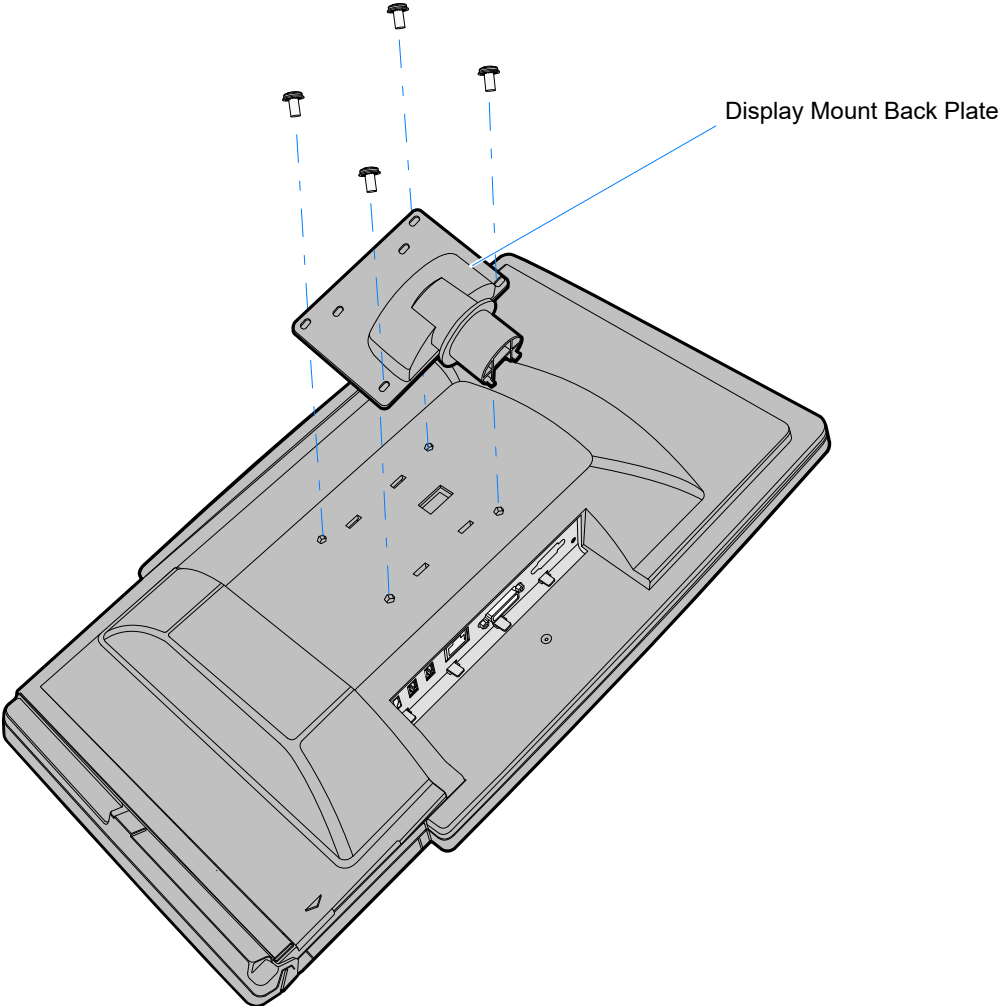
To install a DynaKey, Touch, and LCD Operator Display, the *Black Integration Tray Display Mount* (5968-K024) kit is required.



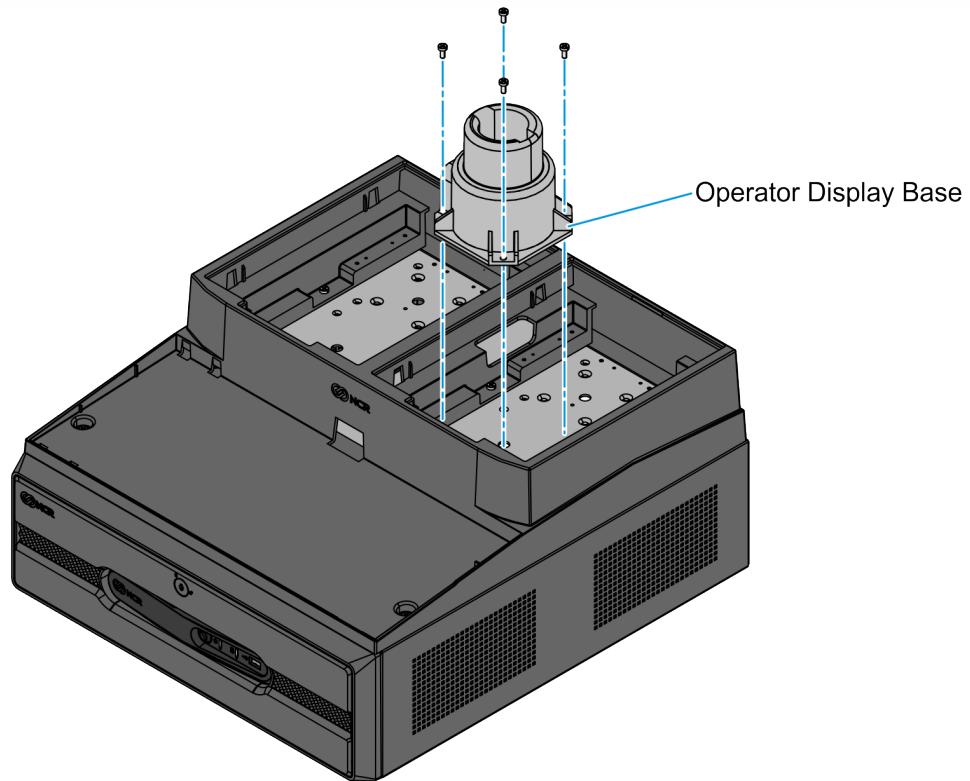
Note: The Operator Display shown in the following images is the NCR 5954 DynaKey. The installation procedures for different operator displays are nearly identical. The primary differences are with cable connections.

1. Remove the screws (4) from the back of the DynaKey and then use these screws to secure the Display Mount Back Plate.



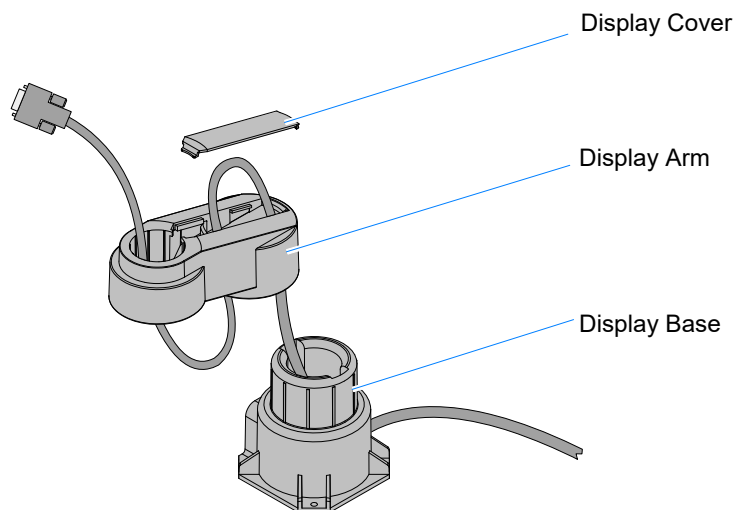


- Secure the Operator Display Base (included in 5967-K024) to the Tray Support Bracket using four screws.



CCP-80636

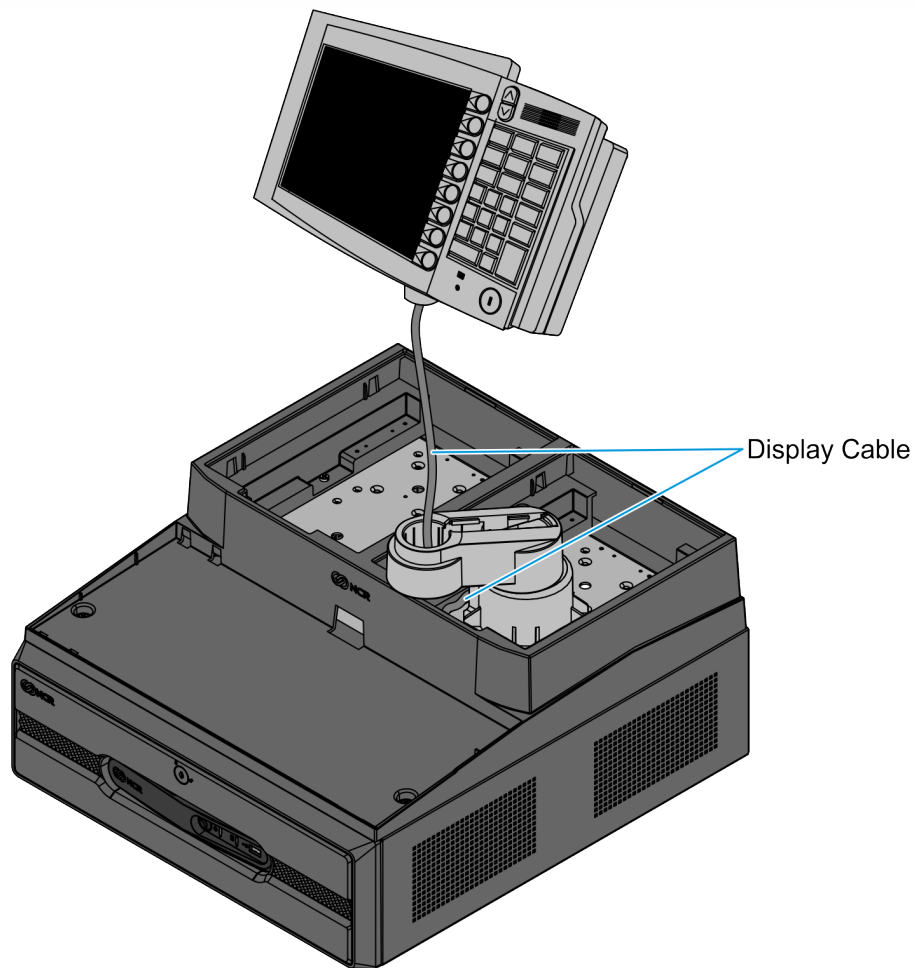
- Route the cables through the Display Arm as shown below.



21202b

- Install the Display Arm onto the Display Base.
- Remove the excess slack in the cables and then install the Display Cover onto the Display Arm.
- Connect the cables to the display.

7. Insert the Display Back Plate into the Operator Display Arm.



CCP-80646

8. Route the display cables down through the cable routing slot on the front of the Tray Support Bracket.
9. Connect the Display Cable to the terminal. For more information, refer to the following sections:
 - [Connecting NCR 5943/5967 12-inch LCD Cables](#) on the next page
 - [Connecting NCR 5943/5967 15-inch LCD Cables](#) on page 28
 - [Connecting NCR 5954 USB DynaKey Cables](#) on page 30

Connecting NCR 5943/5967 12-inch LCD Cables

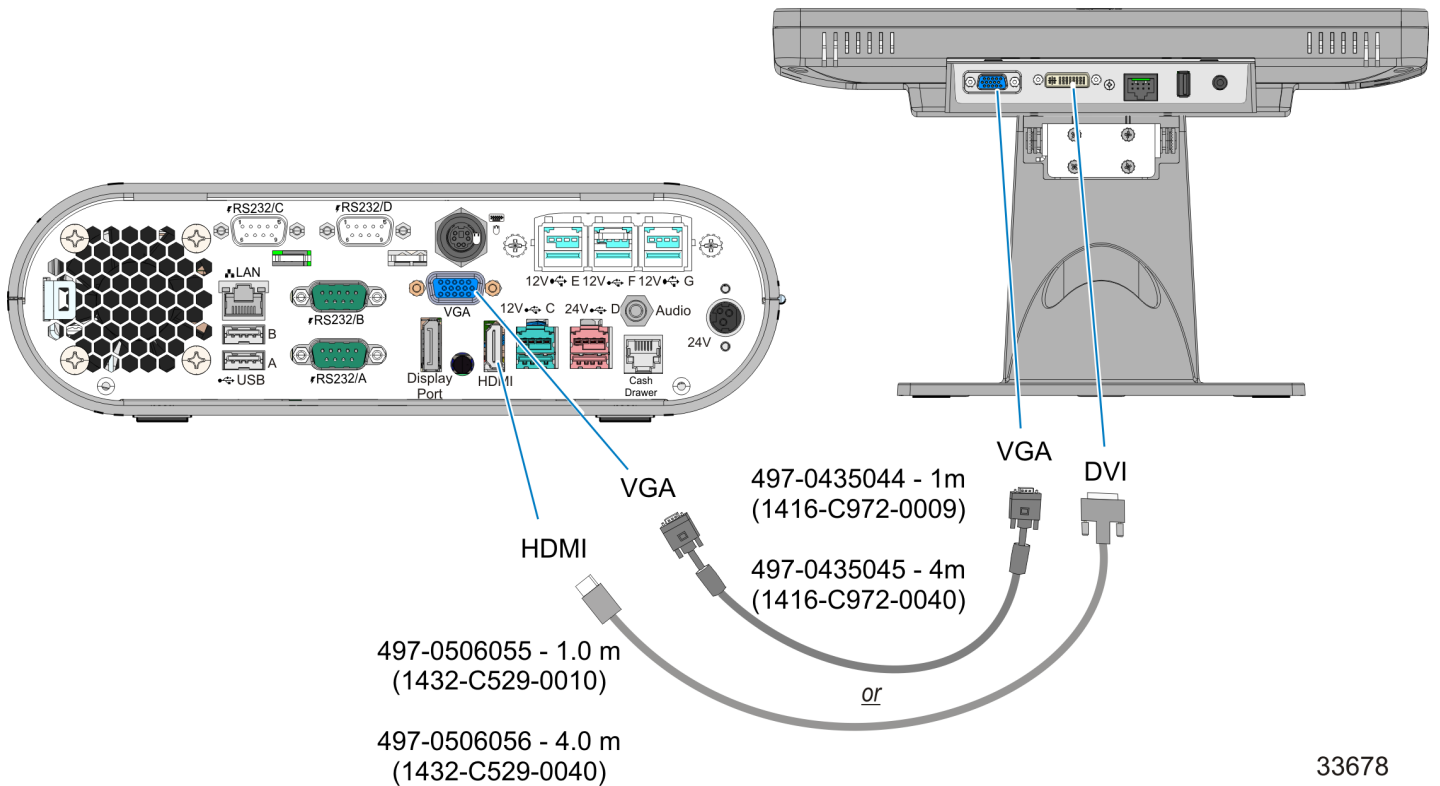


The following illustrations show the cable connections for the 5943 LCD and the 7603 terminal. There are two cables required.

- VGA or DVI cable for video
- Powered Universal Serial Bus (USB) for data and power

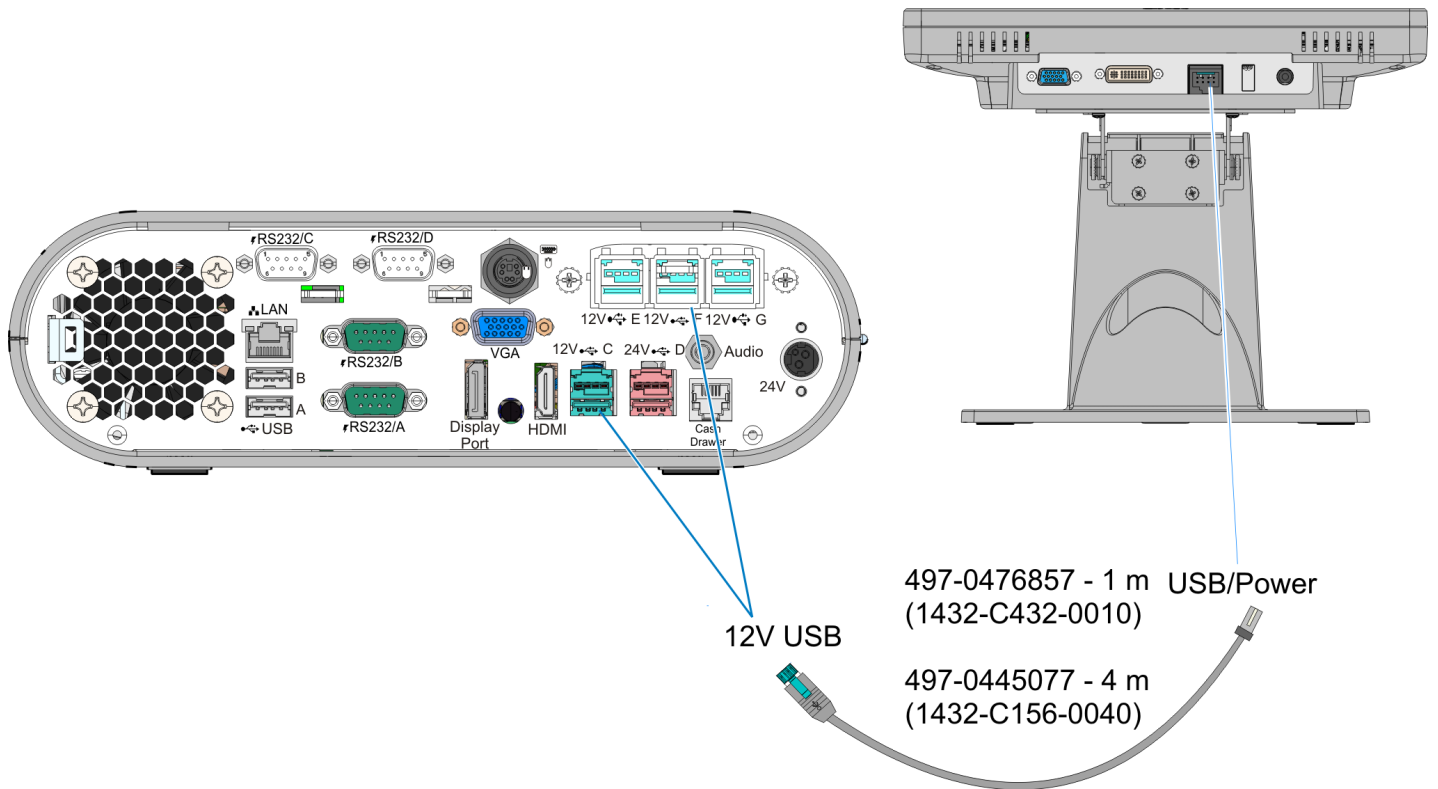
VGA/DVI Connections

Connect either a VGA or a HDMI to DVI cable.



Powered USB Cable Connections

Connect the Powered USB Cable to the 5943 LCD and to one of the 12V Powered USB connectors on the 7603 terminal.



33676

For more information see:

- *NCR RealPOS 5943 12" LCD User Guide (B005-0000-2043)*
- *NCR RealPOS 5967 12" LCD User Guide (B005-0000-2182)*

Connecting NCR 5943/5967 15-inch LCD Cables

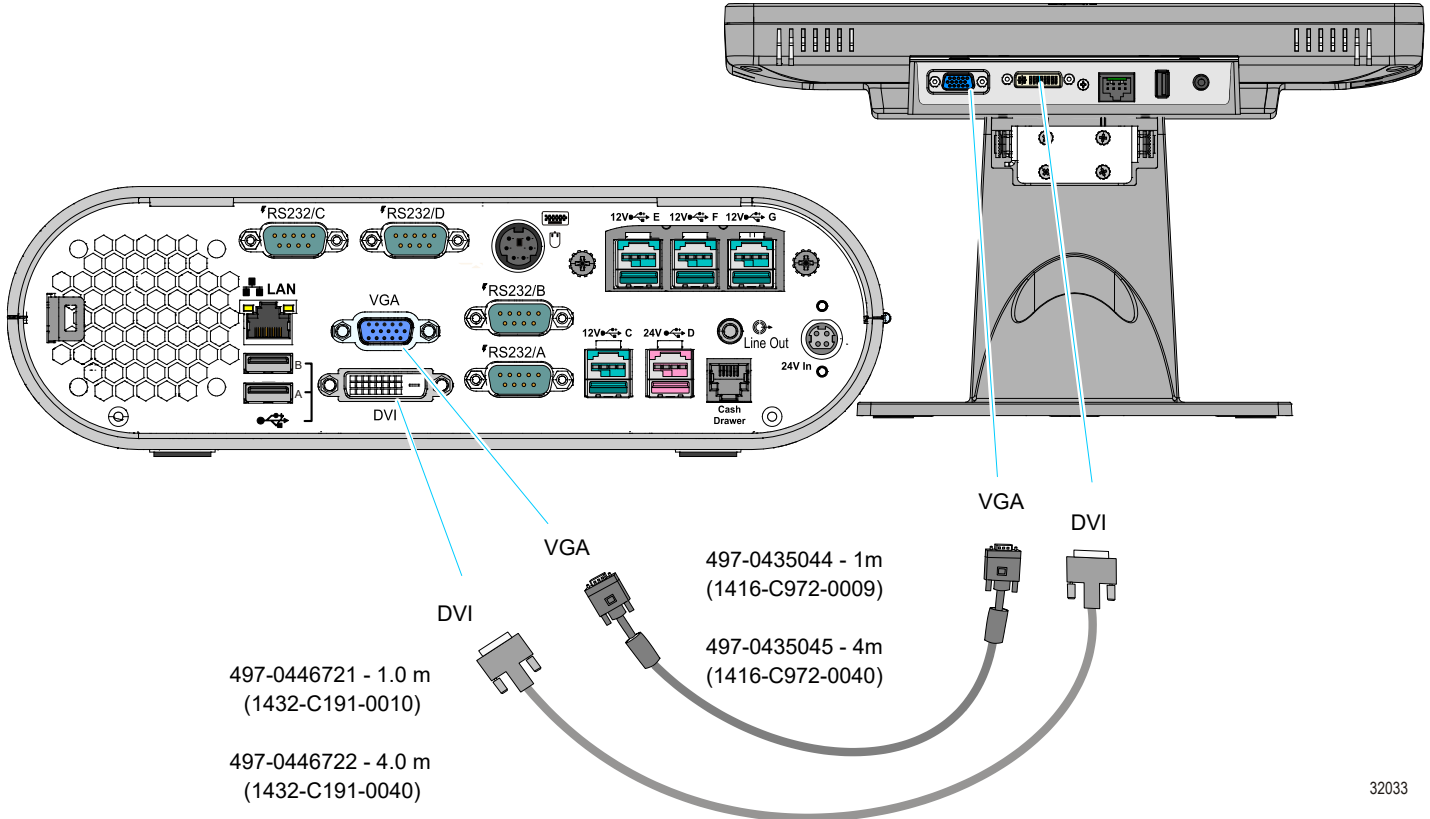


The following illustrations show the cable connections for the 5943 LCD and the 7603 terminal. There are two cables required.

- VGA or DVI cable for video
- Powered Universal Serial Bus (USB) for data and power

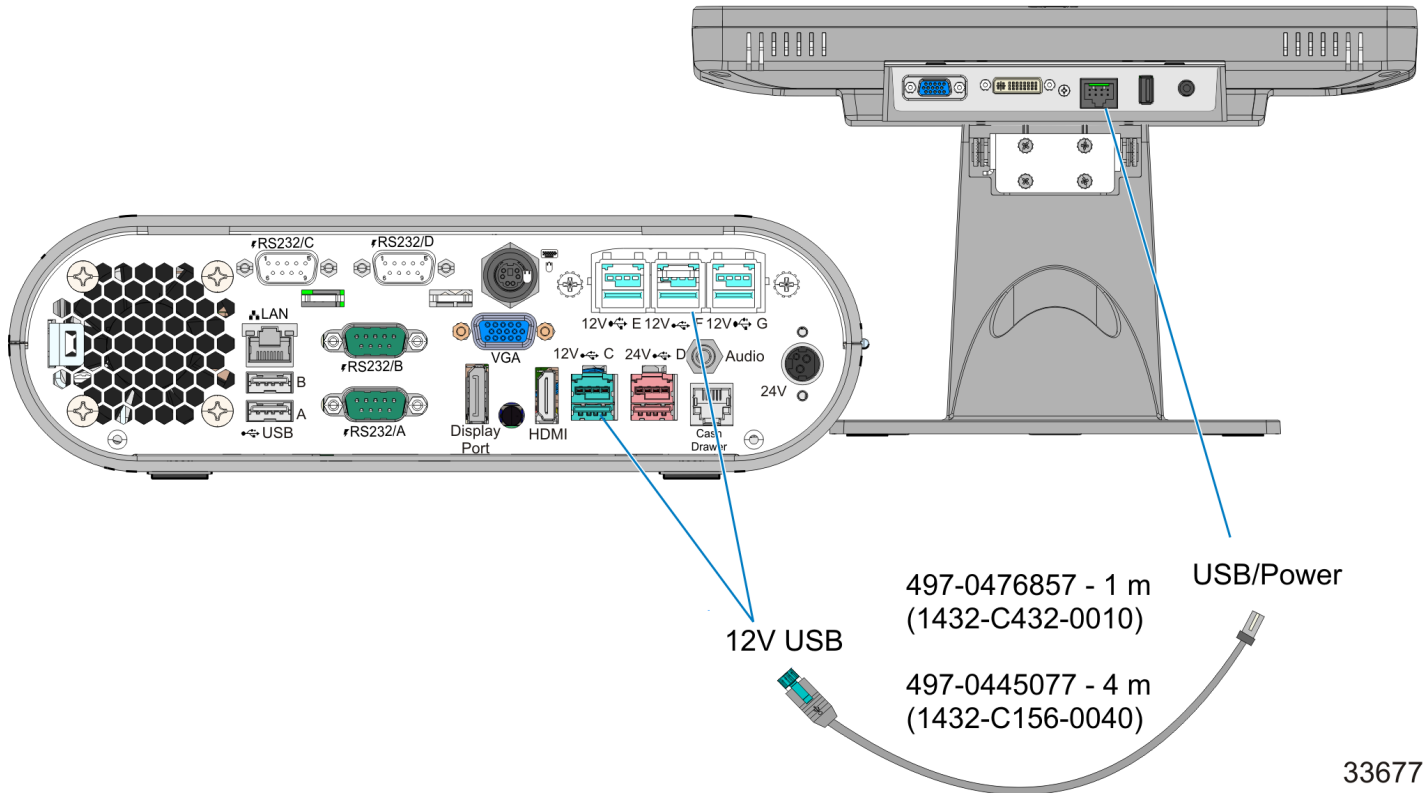
VGA/DVI Connections

Connect either a VGA or an HDMI to DVI cable.



Powered USB Cable Connections

Connect the Powered USB Cable to the 5943 LCD and to one of the 12V Powered USB connectors on the 7603 terminal.



For more information see:

- *NCR RealPOS 5943 15" LCD User Guide (B005-0000-2182)*
- *NCR RealPOS 5967 15" LCD User Guide (B005-0000-2193)*

Connecting NCR 5954 USB DynaKey Cables

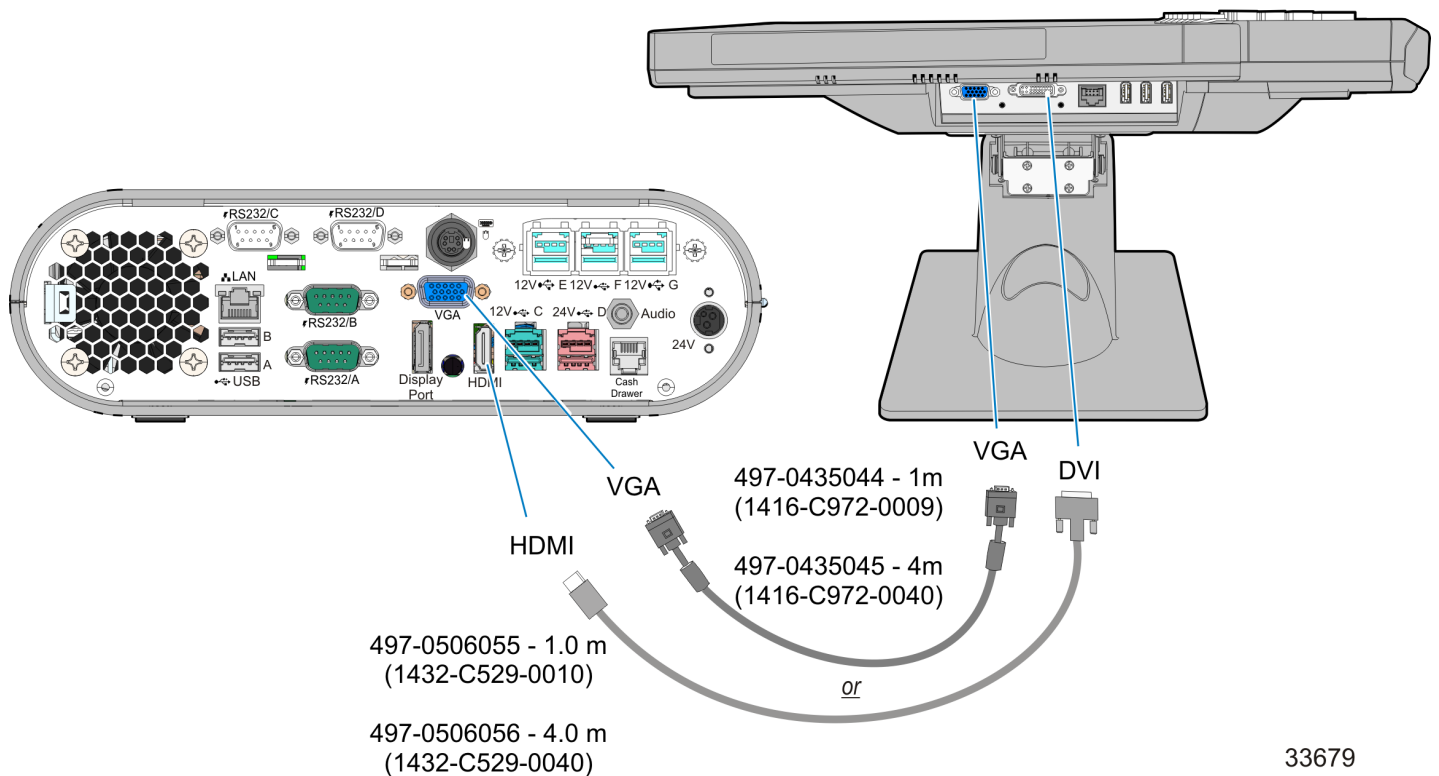


The DynaKey connects to the terminal via two cables.

- DVI or VGA cable for video
- Powered Universal Serial Bus (USB) for data and power

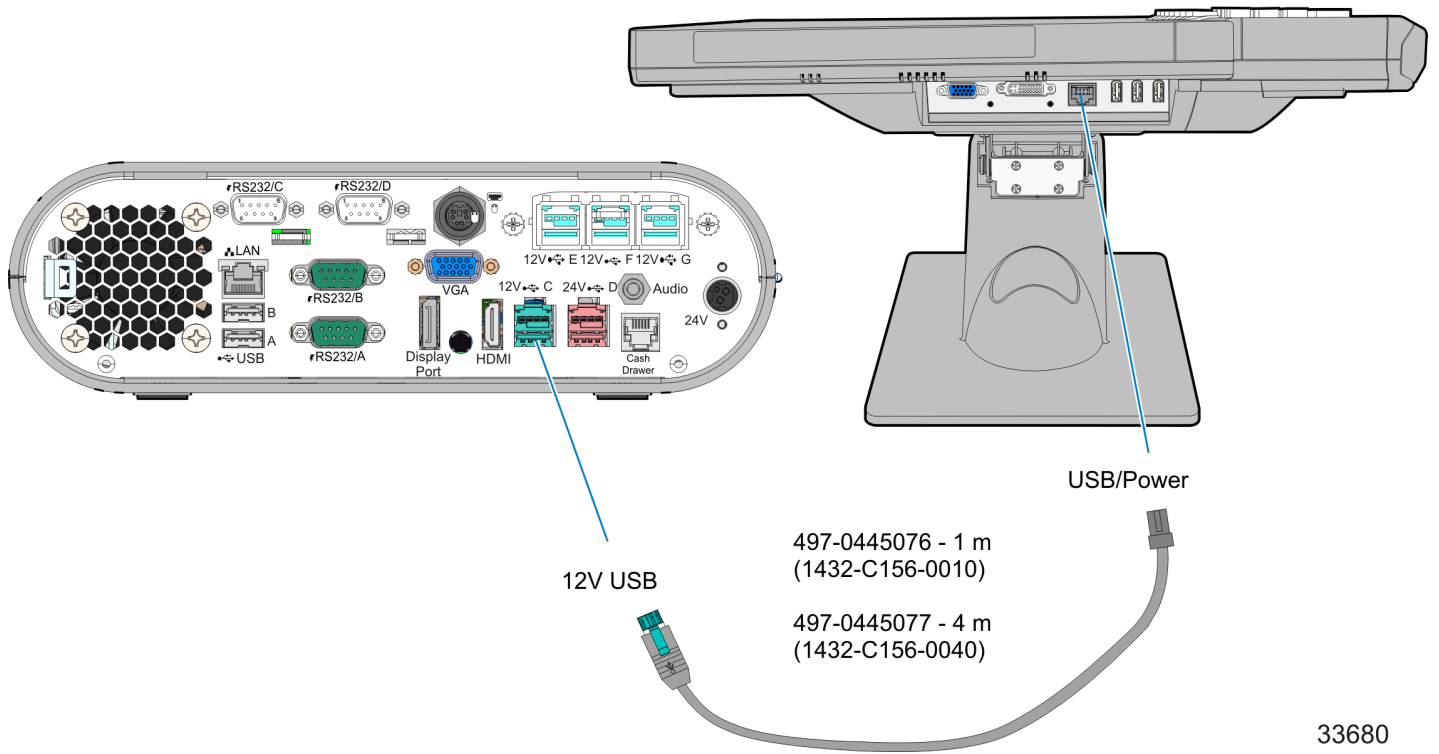
VGA/DVI Cable Connections

Connect the cable to the *DVI* connectors on the DynaKey and terminal.



Powered USB Cable Connections

Connect the Powered USB Cable to the DynaKey and to one of the *Powered USB* connectors on the terminal.

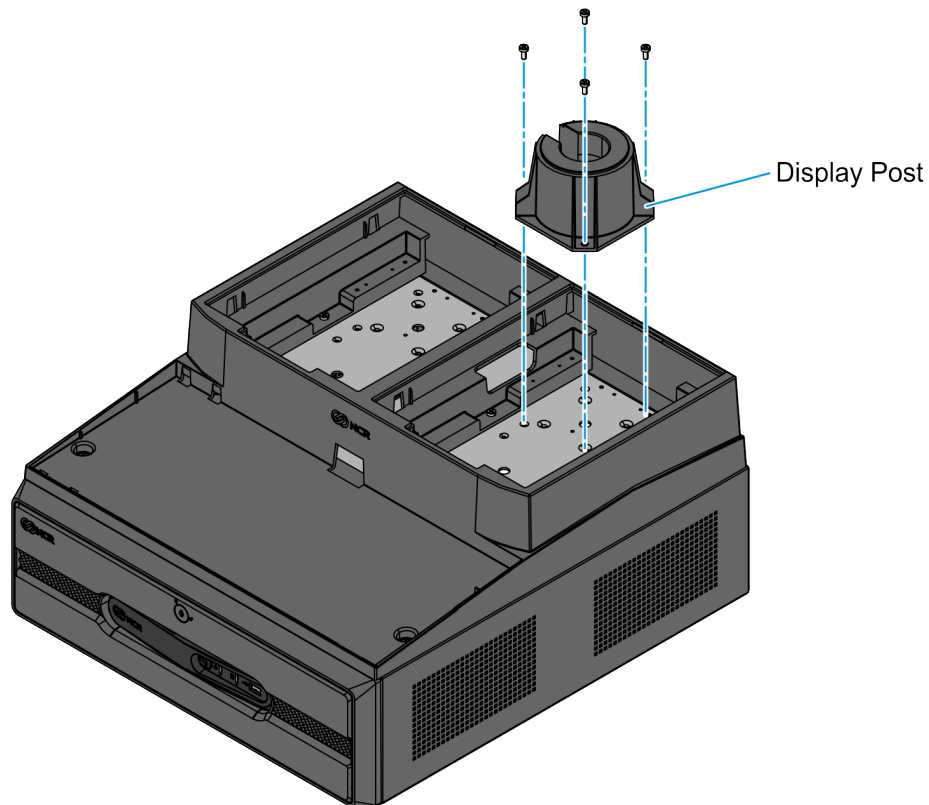


Installing the Customer Display

The Customer Display may be installed either on the front or rear end of the Tray Support Bracket. If a SpacePole arm is used for the display head and the SpacePole mounting holes should use the inner mounting holes of the bracket, install the Customer Display on the front end.

To install a 597x Customer Display, a short or long post is required. For more information, refer to *Customer Display Post Mount* (5976-K837/K838).

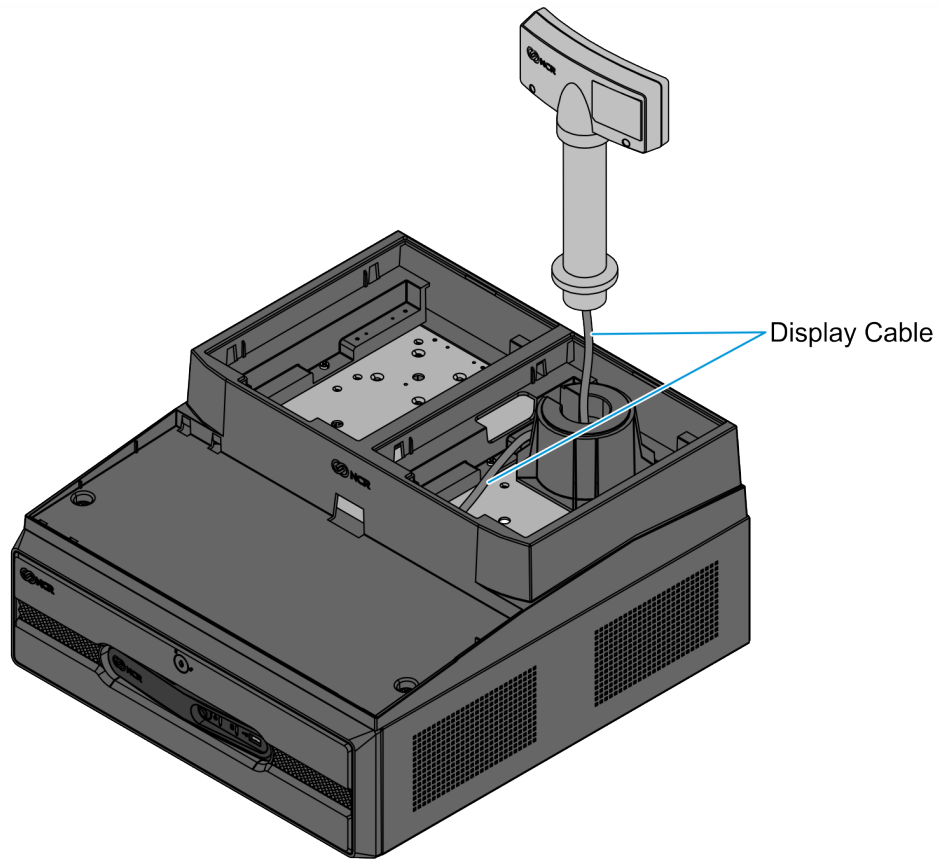
1. Install the Customer Display Post.



CCP-80612

- a. Position the Customer Display Post on top of the Tray Support Bracket.
- b. Align the mounting holes on the post with the mounting holes on the bracket, and secure the post using four #8 Phillips screws.
- c. For configurations without a customer display, install the Filler Cap. Refer to [No Customer Display](#) on page 35

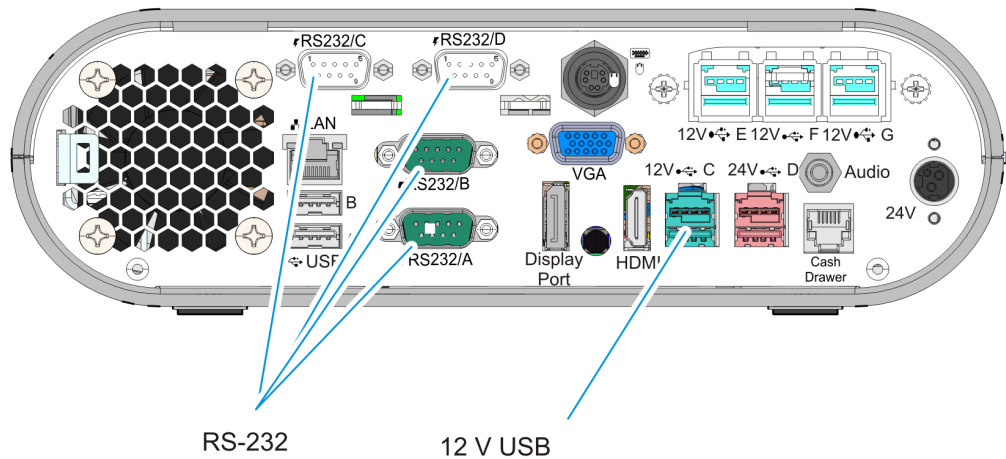
2. Route the display cable down through the Customer Display Post and through the cable routing slot on the front of the Tray Support Bracket.



CCP-80637

3. Insert the display into the Customer Display Base.
4. Connect the Display Cable to the terminal. For more information, refer to [Connecting the Customer Display Cable](#) on the next page

Connecting the Customer Display Cable



RS-232 Interface

Connect the I/F cable to a powered RS-232 connector on the terminal.



Note: The factory default settings for the COM1 and COM2 ports are powered by default. To change a port to non-powered, refer to *Powered Serial Port Settings* in the *NCR RealPOS XR6 (7603) User Guide (B005-0000-2400)*.

Configure the terminal serial port as follows:

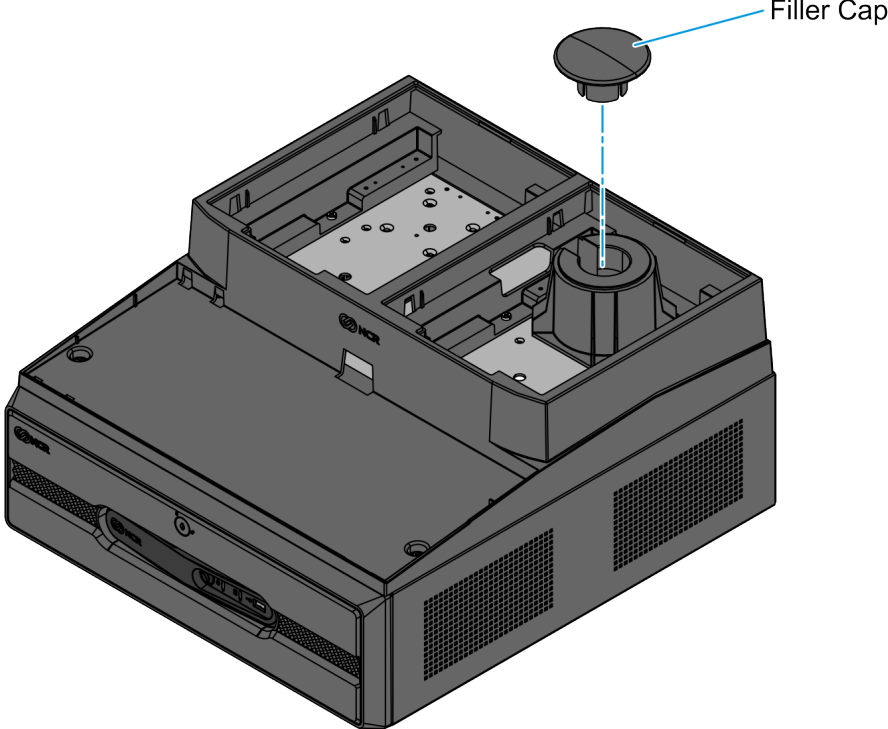
9600 baud, 8 data bits, 1 start bit, 1 stop bit, No parity

USB Interface

Connect the I/F cable to the powered 12V Powered USB connector on the terminal.

No Customer Display

If a customer display is not used, install the Filler Cap onto the Customer Display Post.

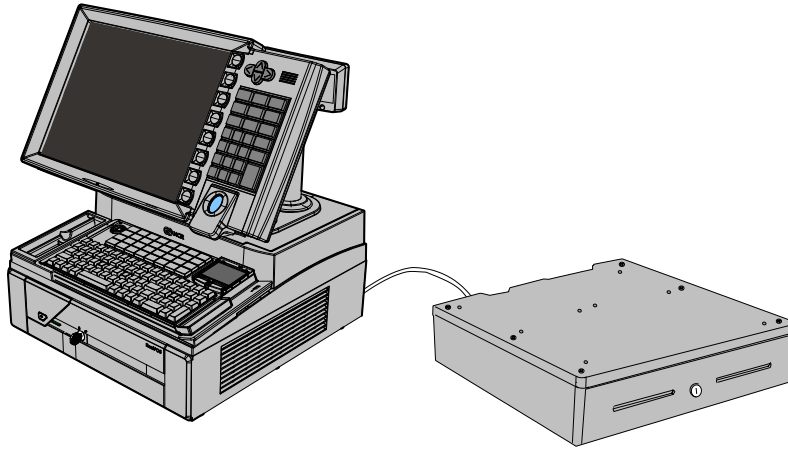


Installing the Cash Drawer

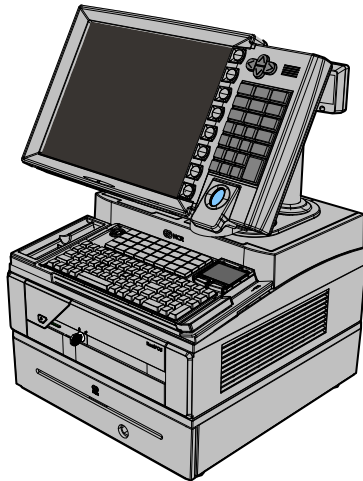
The Cash Drawer can be installed remotely or integrated with the terminal. The Cash Drawer Cable is then connected to the Cash Drawer connector on the terminal.



Note: The NCR 2181 Cash Drawer, with its smaller footprint, is required for the integrated configuration.



Remote Configuration



Integrated Configuration

31279



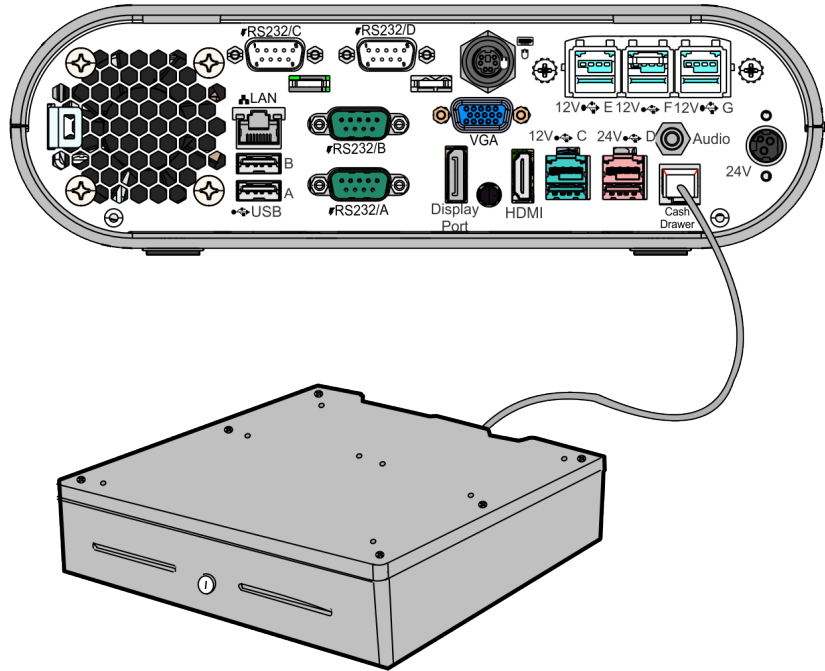
Note: The images above show a different Peripheral Integration Kit, but the concept is still the same.

Connecting the Cash Drawer Cable

The Cash Drawer can be installed remotely or integrated with the terminal. The Cash Drawer Cable is then connected to the Cash Drawer connector on the terminal.

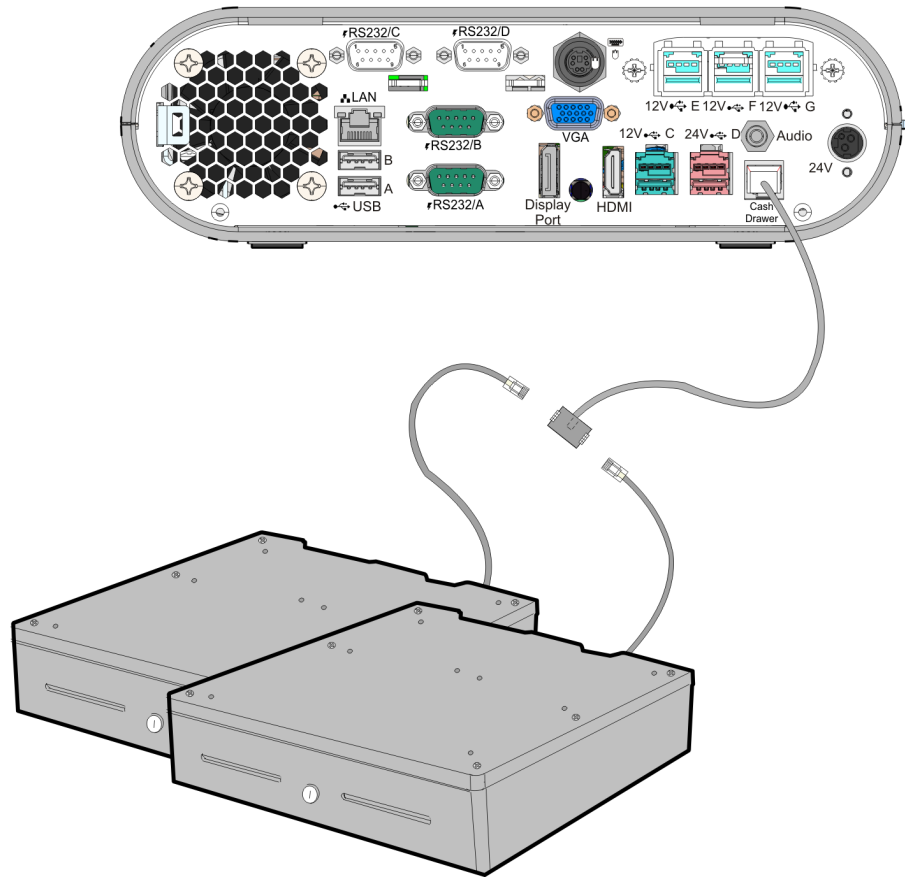


Note: The NCR 2181 Cash Drawer, with its smaller footprint, is required for the integrated configuration.



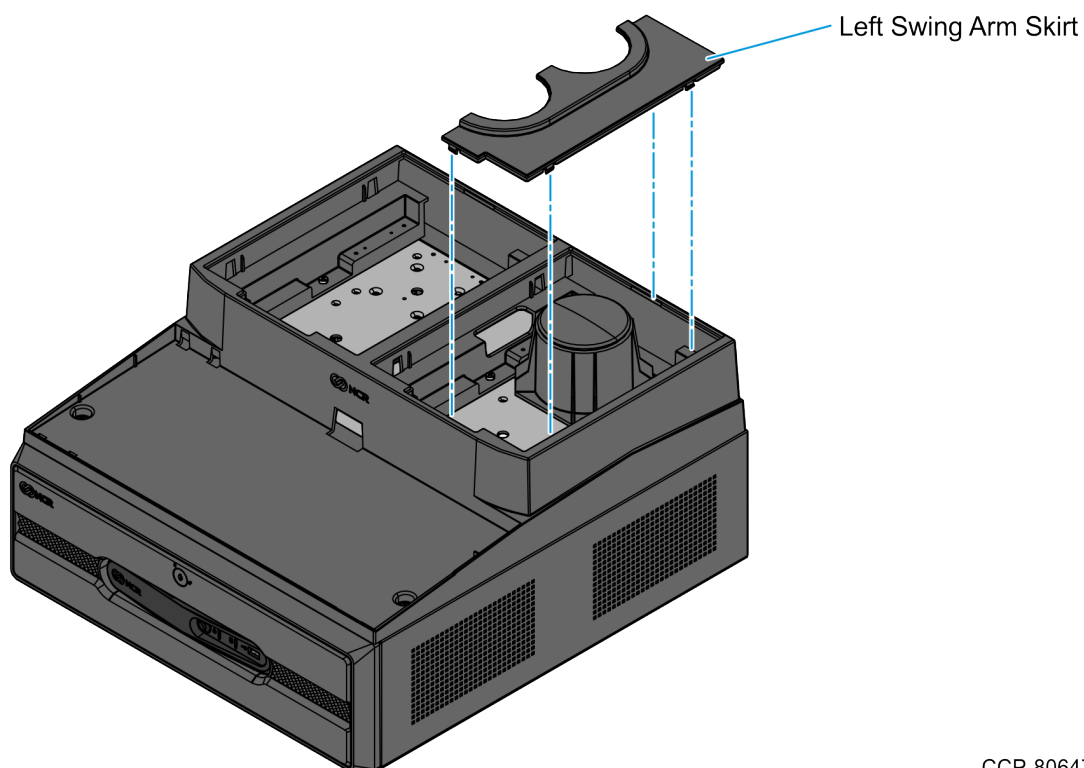
Installing a Second Drawer

The 7603 supports a 2-drawer configuration with a Y-cable (1416 C372 0006).



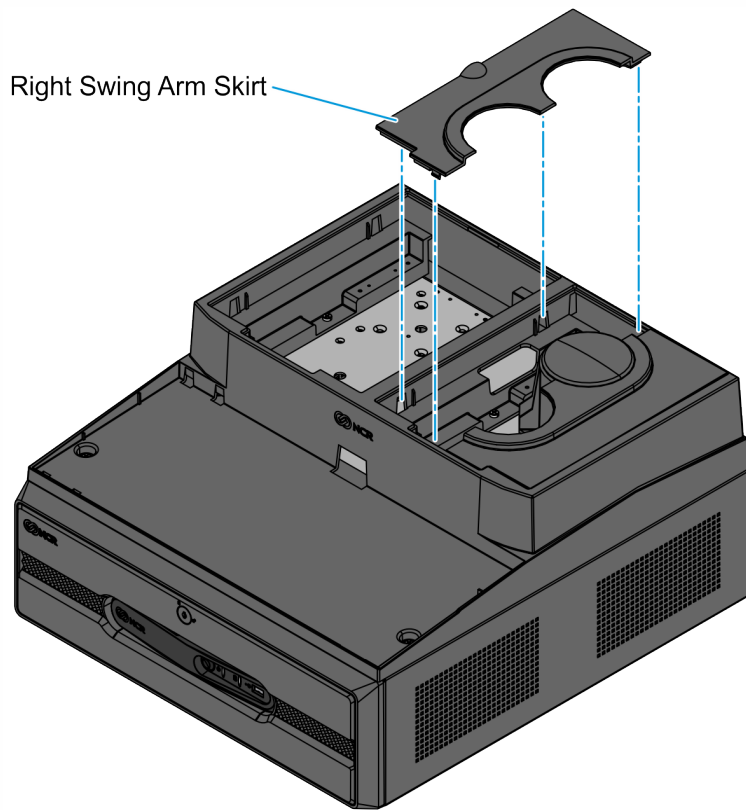
Installing the Swing Arm Skirts

1. Install the Left Swing Arm Skirt and snap it into place.




CCP-80647

2. Align the Right Swing Arm Skirt with the Left and snap it into place.

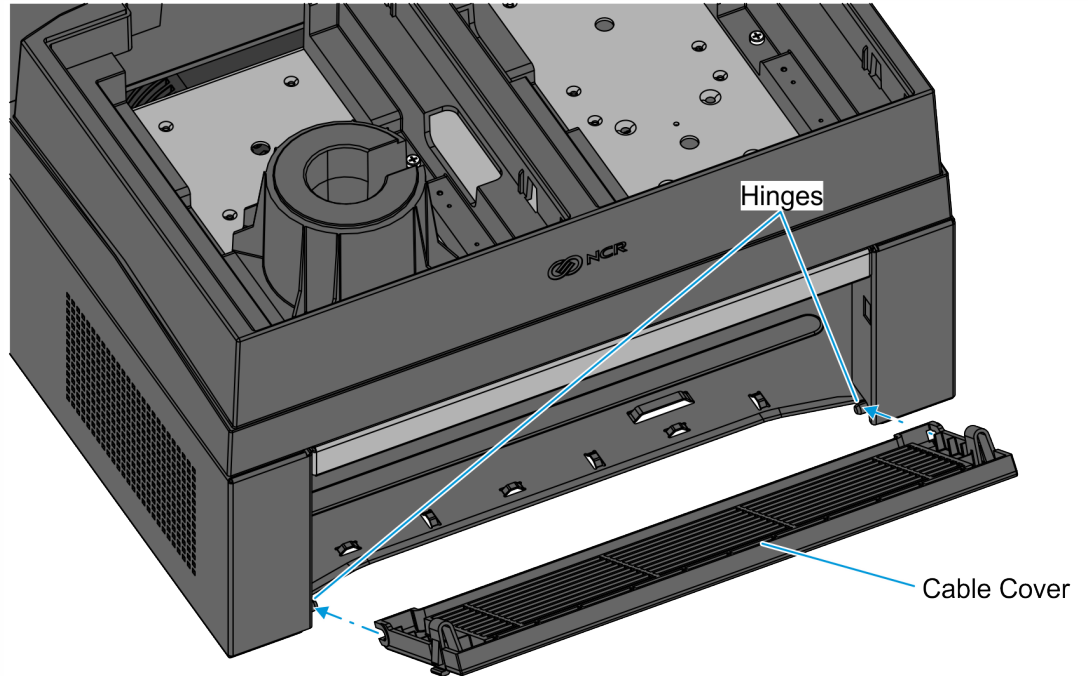


CCP-80648

Installing the Cable Cover

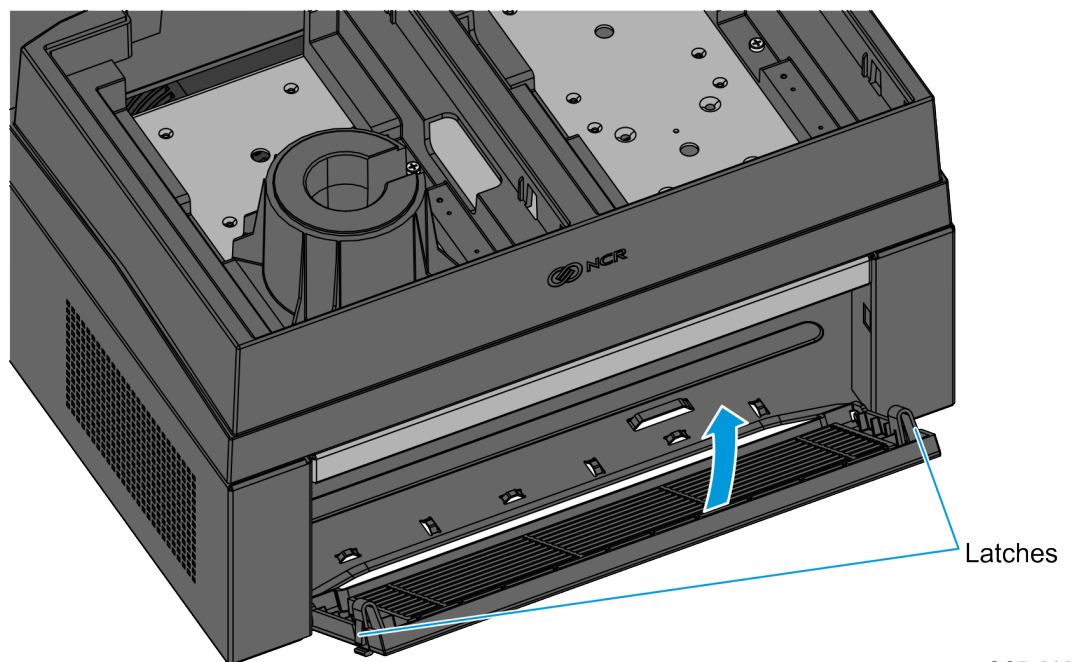
 **Caution:** Ensure that no cables are pinched.

1. Slide the Cable Cover onto the hinges on the back of the chassis.



CCP-80617

2. Pivot the Cable Cover upward until both of its latches have properly engaged.



CCP-80618

