

# KIT INSTRUCTIONS

120GB Solid State Device

7603-K240  
Issue A



---

The product described in this book is a licensed product of NCR Corporation.

NCR is a registered trademark of NCR Corporation. NCR RealPOS is a trademark of NCR Corporation in the United States and/or other countries. Other product names mentioned in this publication may be trademarks or registered trademarks of their respective companies and are hereby acknowledged.

The terms HDMI and HDMI High-Definition Multimedia Interface, and the HDMI Logo are trademarks or registered trademarks of HDMI Licensing LLC in the United States and other countries.

Where creation of derivative works, modifications or copies of this NCR copyrighted documentation is permitted under the terms and conditions of an agreement you have with NCR, NCR's copyright notice must be included.

It is the policy of NCR Corporation (NCR) to improve products as new technology, components, software, and firmware become available. NCR, therefore, reserves the right to change specifications without prior notice.

All features, functions, and operations described herein may not be marketed by NCR in all parts of the world. In some instances, photographs are of equipment prototypes. Therefore, before using this document, consult with your NCR representative or NCR office for information that is applicable and current.

To maintain the quality of our publications, we need your comments on the accuracy, clarity, organization, and value of this book. Please use the link below to send your comments.

*Email:* [FD230036@ncr.com](mailto:FD230036@ncr.com)

Copyright © 2015  
By NCR Corporation  
Duluth, GA U.S.A.  
All Rights Reserved

## Revision Record

Issue	Date	Remarks
A	Aug 2015	First Issue

---

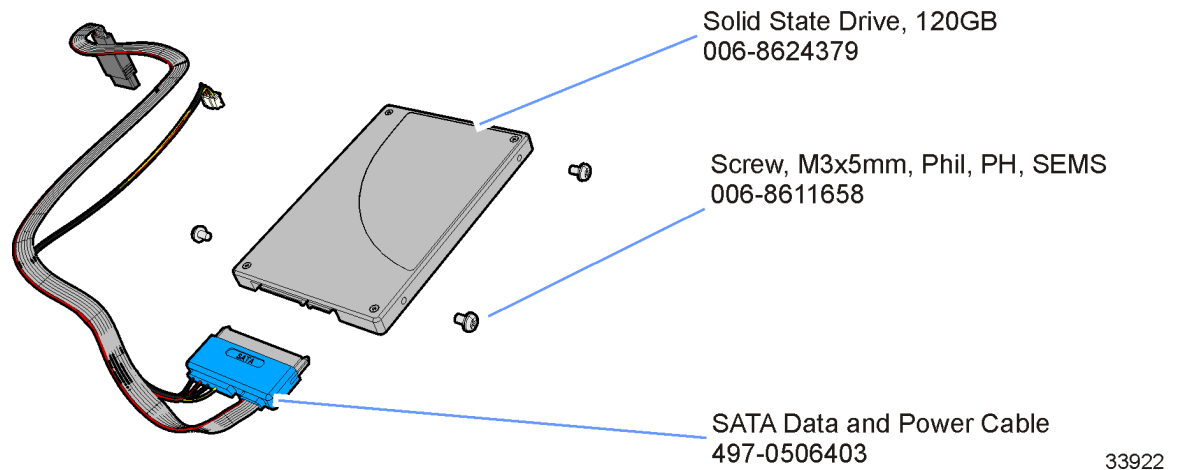
# 120GB Solid State Device

---

## Introduction

This kit provides the components to add a solid state device to the RealPOS XR5 POS.

## Kit Contents



## Installation Procedure

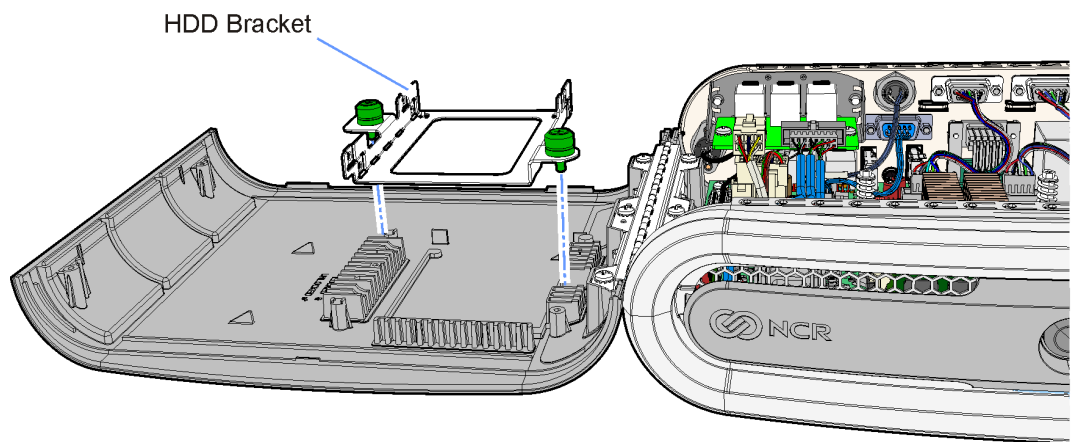


**Warning:** Disconnect the AC power cord before disassembling the Terminal.

**Caution:** Static Electricity Discharge may permanently damage your system.

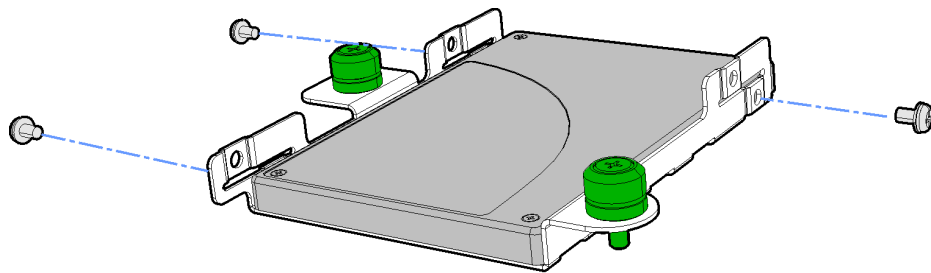
Discharge any static electricity build up in your body by touching your computer's case for a few seconds. Avoid any contact with internal parts and handle cards only by their external edges.

1. Unplug the terminal's power cord.
2. Open the Top Cover.
3. Remove the HDD Bracket from from the Top Cover (2 thumbscrews).



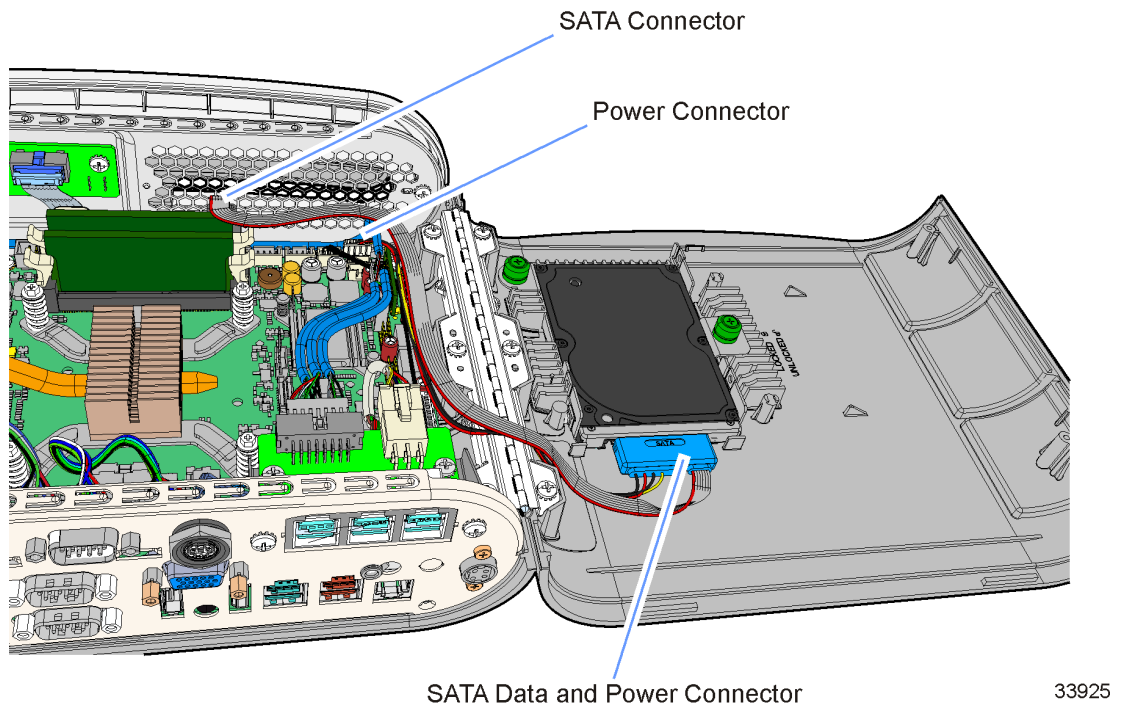
33923

4. Install the SSD on the HDD Bracket (3 screws).

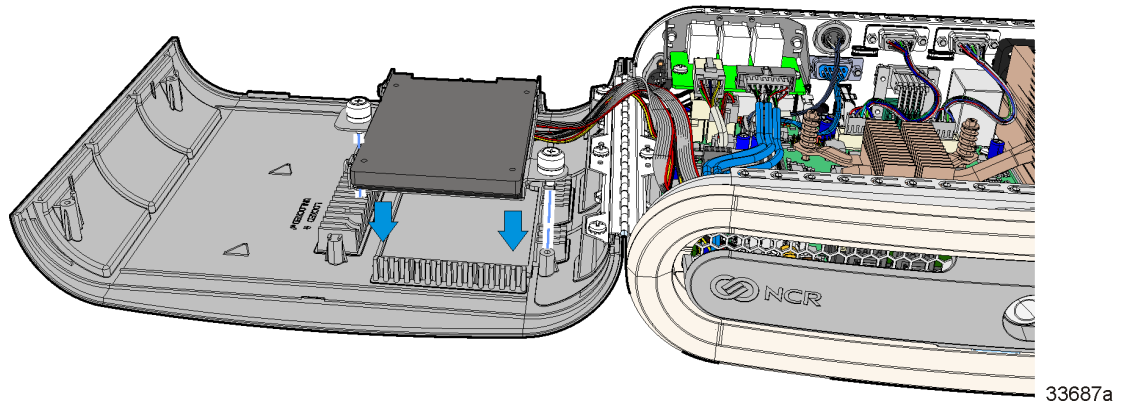


33924

5. Connect the SATA Data and Power Cable to the SSD and to the Motherboard.



6. Install the SSD Assembly on the Top Cover (2 thumbscrews).



7. Close the Top Cover.

