

7600-K320

Vertical Stand

Kit Instructions



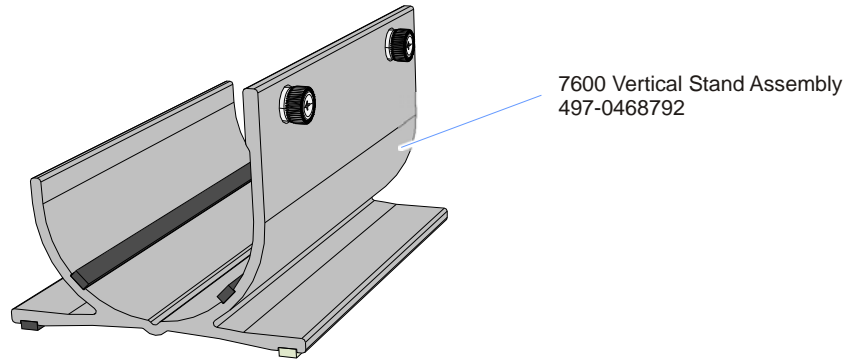
Issue A

Revision Record

Issue	Date	Remarks
A	Aug 2010	First issue

Introduction

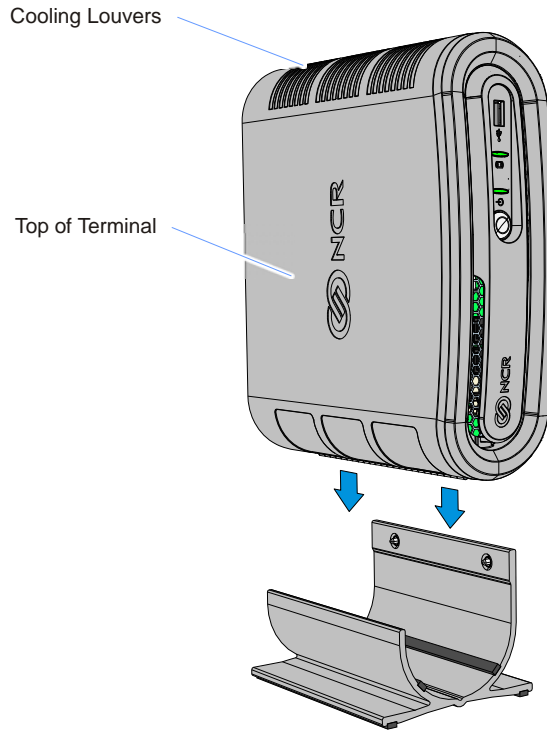
This kit provides a stand to hold the 760x terminal in a vertical position.



28720

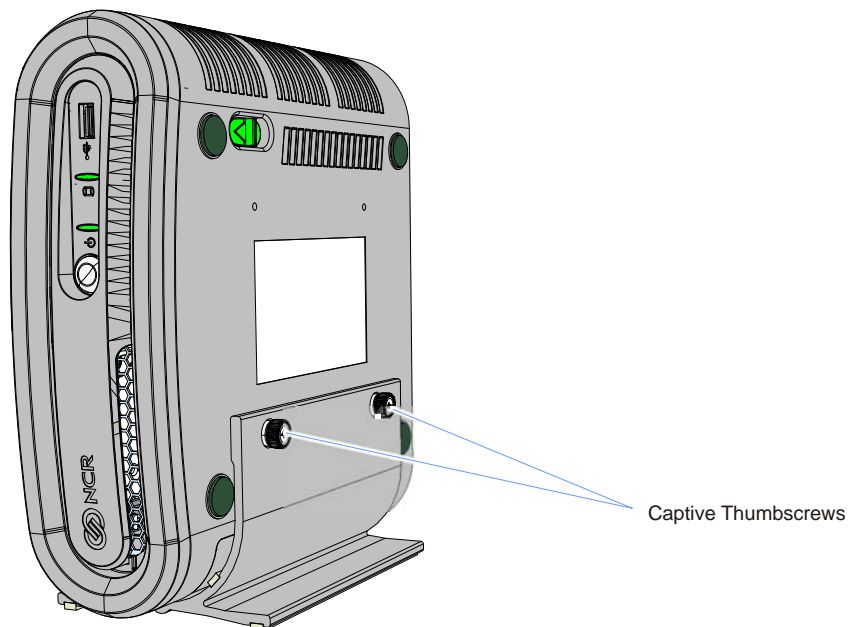
Installation Procedures

1. Insert the terminal into the Vertical Stand until it rests on the foam cushions. Center the terminal in the stand and orient it as shown below, with the cooling louvers up and the top of the terminal away from the stand thumbscrews.



28718

2. Secure the stand connection by applying firm downward pressure on the unit into the stand and then by tightening the captive thumbscrews (2).



28719