

7600-K310

Wall Mount Power Supply Bracket

Kit Instructions



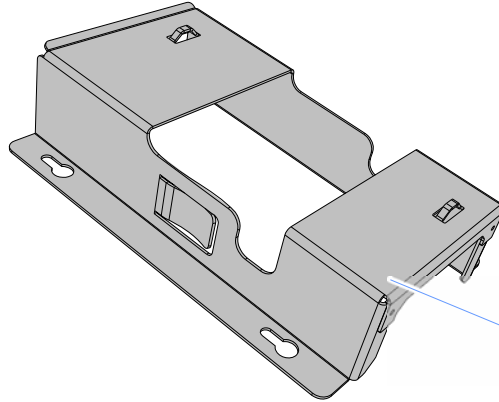
Issue A

Revision Record

Issue	Date	Remarks
A	Nov 2010	First issue

Introduction

This kit provides a bracket to mount a 7600/7601/7610/7611 power supply on a vertical surface or under a table top.



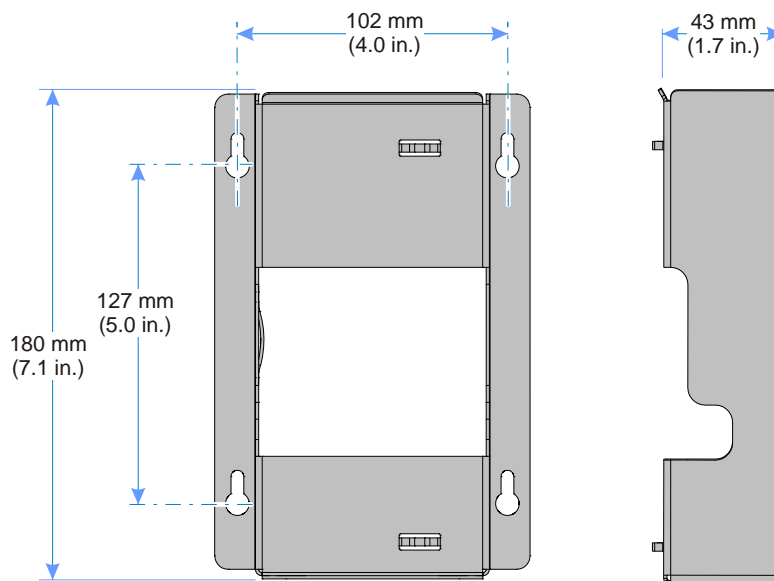
7600 Wall Mount Power Supply Bracket
497-0469772

28772

Installation Procedure

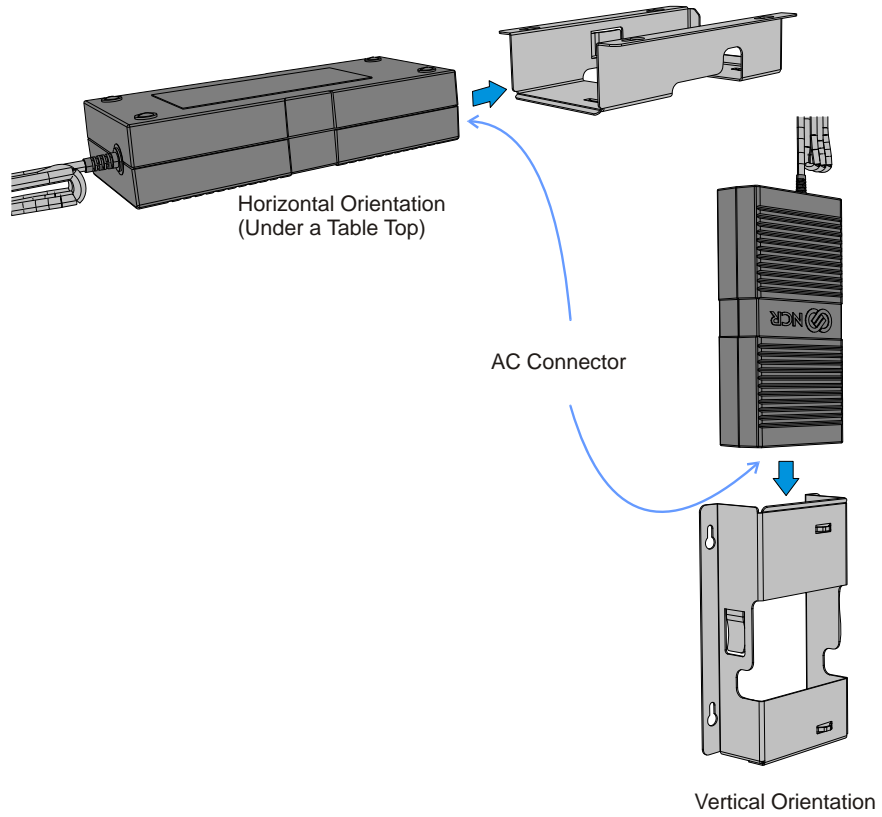
1. Secure the Wall Mount Bracket under a table top or vertical surface with the proper type of screws (4) for the surface type. Use the dimensions shown below or use the bracket as a template to mark the location of the holes.

Note: If you are installing the bracket in a vertical position be sure to orient the bracket as shown below (eyelets in the screw holes pointing up).



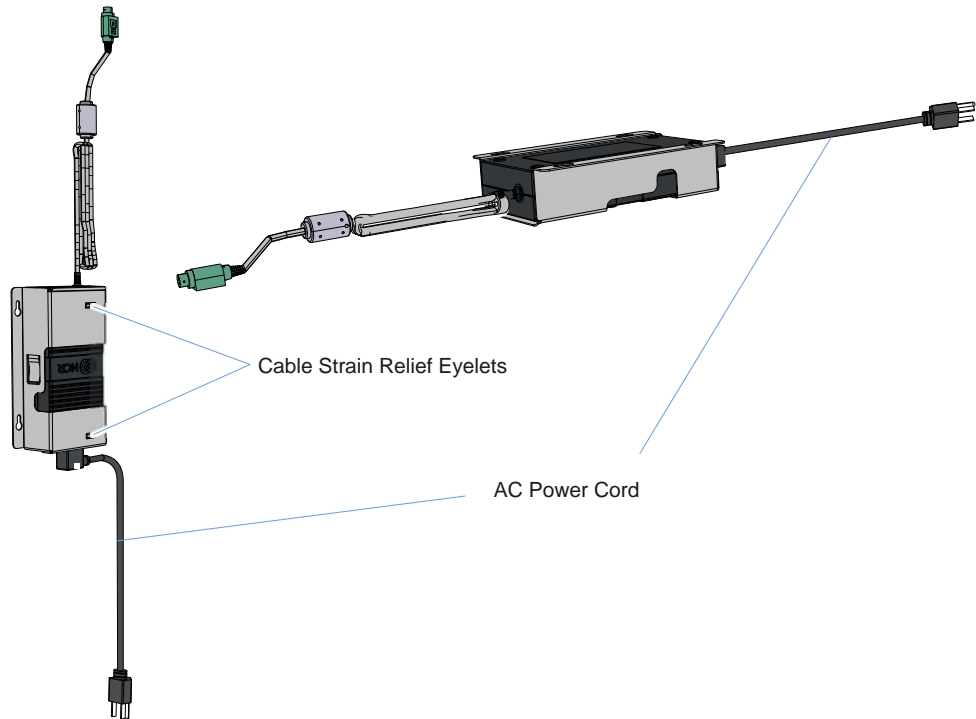
28774

2. Insert the Power Supply into the Bracket (AC connector end in first).



28775

3. Connect the AC Power Cord to the Power Supply.



28776

4. Secure the cables to the Cable Strain Relief Eyelets with tie wraps.