



NCR 7199 Series i to 7199 Series ii Thermal Receipt Station Printer Migration Guide



Publication ID: BCC5-0000-5672

Publication Issue: C

Copyright and Trademark Information

The product described in this document is a licensed product of NCR Voyix Corporation.

NCR Voyix is a registered trademark of NCR Voyix Corporation. Product names mentioned in this publication may be trademarks or registered trademarks of their respective companies and are hereby acknowledged.

Where creation of derivative works, modifications or copies of this NCR Voyix copyrighted documentation is permitted under the terms and conditions of an agreement you have with NCR Voyix, NCR Voyix's copyright notice must be included.

It is the policy of NCR Voyix Corporation to improve products as new technology, components, software, and firmware become available. NCR Voyix, therefore, reserves the right to change specifications without prior notice.

All features, functions, and operations described herein may not be marketed by NCR Voyix in all parts of the world. In some instances, photographs are of equipment prototypes. Therefore, before using this document, consult with your NCR Voyix representative or NCR Voyix office for information that is applicable and current.

Copyright © 2023–2024

By NCR Voyix Corporation

Atlanta, Georgia, USA

All Rights Reserved

Preface

Audience

This book is written for hardware installer/service personnel, system integrators, and field engineers.

Note

This document is NCR Voyix proprietary information and is not to be disclosed or reproduced without consent.

Table of Contents

NCR 7199 Series i to Series ii Printer Migration	1
Migration Considerations	2
USB connection	3
NHPI	3
ION(Epic)	3
PRTR	4
Power supply	5
Paper low sensor	6
Paper specifications	6
Character sets and Asian fonts	7
Barcode types	7
Top cover	8
Notes	9
Performance	9
ESC/POS Emulation support	9

Revision Record

Issue	Date	Remarks
A	Sep 2023	First Issue
B	Mar 2024	Updated printer dimensions
C	Jul 2024	<ul style="list-style-type: none">• Added information on new features and USB connection• Removed features that are the same for both Series i and Series ii• Converted to Voyix template

NCR 7199 Series i to Series ii Printer Migration

The information provided in this publication is a summary of important points to consider when transitioning from the NCR 7199 Series i to NCR 7199 Series ii ("7199ii") Receipt Printer.

The NCR 7199 Series ii is a new thermal receipt printer, replacing the NCR 7199 Series i. The NCR 7199 Series ii printer includes the following new features:

- Prints at faster thermal speeds. Depending on the application software, its printing speed can reach up to 120 lines per second.
- Supports all Asian fonts
- Supports new character sets
- Supports new barcode types
- Supports new Emulation commands
- Includes lock features on the top cover

For more information, refer to the *NCR 7199 Series Thermal Receipt Station Printer User Guide* (BCC5-0000-5172), which is available online through the Information Products Publishing website at <https://onlinehelp.ncrvoyix.com/>.

Migration Considerations

For some customers who would use the NCR 7199 Series ii printer, no additional development may be required and the printer may be deployed as a drop-in replacement for the existing NCR 7199 Series i printer.

But for all customers, a thorough review of the documentation and testing of the printer in their application environments should be planned before any assumptions are made with respect to integration effort.

This section contains information about the major migration considerations identified when transitioning from the NCR 7199 Series i to Series ii printer.

USB connection

Note

NCR 7199 printers has the following default factory settings for the USB Type:

- NCR 7199 Series i – ION(Epic) mode
- NCR 7199 Series ii – NHPI mode

NHPI is the mode recommended by NCR Voyix moving forward.

Important

The mode selected on the printer must match the mode configured in the POS application's OPOS/JavaPOS printer profile.

For NCR 7199 Series ii printers, opening the printer cover, and then continuously pressing the feed key for 5 or 15 seconds trigger the printer application to process USB Type setting change. This process repeats if the feed key is released and then pressed again while the printer cover is still open. Closing the printer cover triggers the printer application to print the diagnostic form and reboot the printer to apply the new USB Type setting.

NHPI

If the current USB Type setting is PRTR or ION(Epic), opening the printer cover and continuously pressing the feed key for 5 seconds change the USB Type setting to NHPI mode. The printer emits one beep to indicate that the setting is changed.

ION(Epic)

If the current USB Type setting is NHPI, opening the printer cover and continuously pressing the feed key for 5 seconds change the USB Type setting to ION(Epic) mode. The printer emits two beeps to indicate that the setting is changed.

PRTR

Regardless of current USB Type setting, opening the printer cover and continuously pressing the feed key for 15 seconds change the USB Type setting to PRTR mode. After continuously pressing the feed key for 5 seconds, the USB Type setting still changes to NHPI or ION(Epic) and the printer still emits one or two beeps. However, if the feed key is not released and is pressed for another 10 seconds, the printer emits three beeps to indicate that the printer is now in PRTR mode.

Power supply

The NCR 7199 Series printers support the following power modes:

- Terminal Power Low
- Terminal Power High
- External Power Supply (60W)
- External Power Supply (75W) — for NCR 7199 Series i only

The external power supplies are available as kits. To use the full print speed capability of the printer, the following power supply options are needed:

- 75W for NCR 7199 Series i
- 60W for NCR 7199 Series ii

Note

The 60W power supply for NCR 7199 Series ii has the same performance with the 75W power supply for NCR 7199 Series i.

All power modes support full-speed printing at normal graphic density. The terminal power can be used, but with reduced print speed capability when printing dense graphics. The printer must be configured through the 7199 Series resident firmware setup menu or by using a configuration utility that identifies the type of power supply being used.

Paper low sensor

Both NCR 7199 Series i and Series ii printers use an Optical sensor and have a Paper Low default setting of 15 feet.

For proper Paper Low detection, the NCR 7199 Series i printer requires the Receipt Direction configuration setting to match the physical orientation of the printer Front Exit and Top Exit.

The NCR 7199 Series ii printer does not have and does not require the Receipt Direction setting. For NCR 7199 Series ii, Paper Low detection functions properly regardless of the physical orientation of the printer Front Exit and Top Exit.

Paper specifications

The following table provides the guidelines in selecting the thermal receipt paper for NCR 7199 Series printers:

Requirement	NCR 7199 Series i	NCR 7199 Series ii
Core Inner Diameter	8 to 15 mm, 12.7 mm (Typical)	8 to 21 mm, 12.7 mm (Typical)
Paper weight	44 to 70 gsm	42 to 75 gsm
Paper caliper thickness	44 to 70 um	48 to 82 um

Character sets and Asian fonts

The NCR 7199 Series ii printer supports the following new characters sets:

- Windows Turkish
- Windows Hebrew

The NCR 7199 Series i printer supports the following Asian fonts:

- Japanese
- Korean
- Traditional Chinese
- Simplified Chinese

The NCR 7199 Series ii printer supports the following Asian fonts:

- Japanese
- Extended Korean
- Traditional Chinese + Hong Kong Supplementary Character Set (HKSCS)
- Simplified Chinese

Both NCR 7199 Series i and Series ii printers use a configuration utility to set Asian font mode. Because of this new feature, an application needs to send a new parameter to specify the Asian font to use when the printer is in Asian font mode.

Barcode types

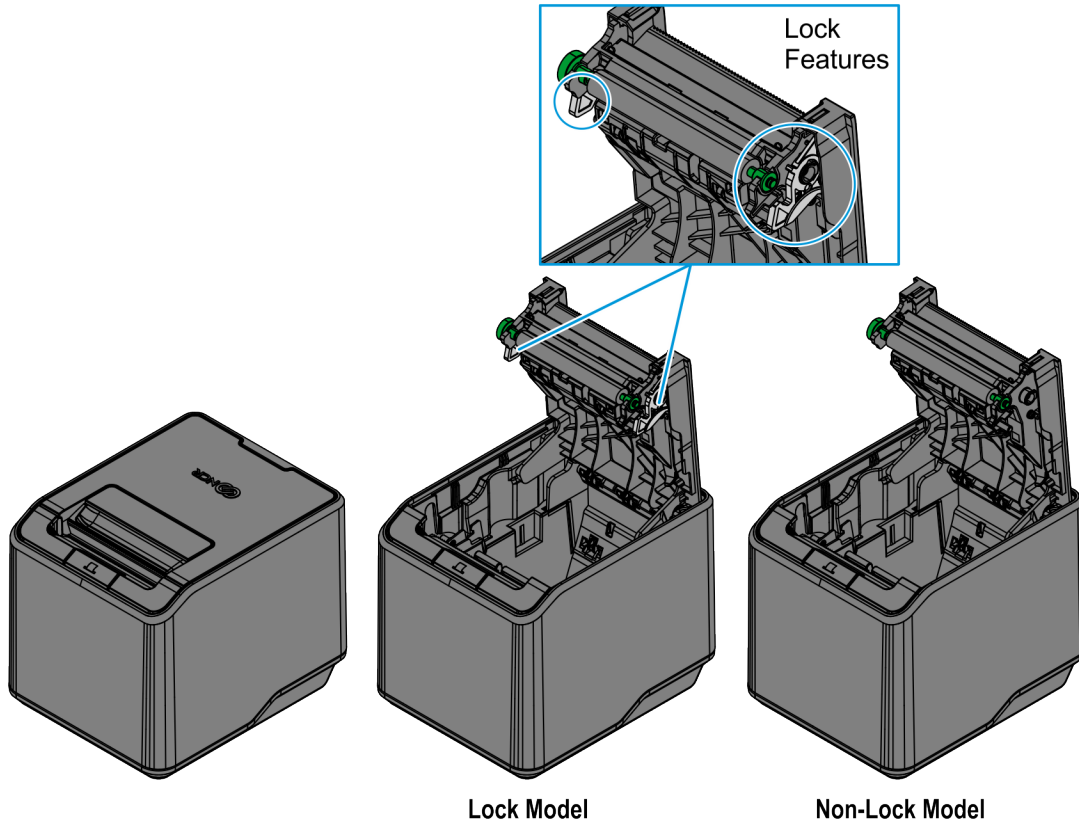
The following are new barcode types supported in NCR 7199 Series ii only:

- Datamatrix
- MaxiCode
- Aztec Code
- Composite Symbology

Top cover

The NCR 7199 Series printers have latches that are located at the middle of the top cover, almost near the printer mouth. The top cover may be opened using one hand.

The NCR 7199 Series ii printer includes lock features on the top cover to prevent accidental opening when pulling the paper.



CCP-83537

Notes

This section contains additional notes about the NCR 7199 Series ii printer components.

Performance

The NCR 7199 Series ii printer has an improved performance with a faster thermal print mechanism. The following are the printing speed specifications:

- Series i: 355 mm (14 in.) per second
- Series ii: 406.4 mm (16 in.) per second

The NCR 7199 Series ii printer is capable of printing text at up to 120 lines per second, which is 14 percent faster than the NCR 7199 Series i printer.

ESC/POS Emulation support

The NCR 7199 Series printers support ESC/POS emulation mode. The following are new commands supported in NCR 7199 Series ii only:

- Specify Batch Print
- Specify the process ID response
- Draw line
- Draw rectangle
- Select UTF-8 encoding
- Set print position to the beginning of the print line
- Enable/Disable extended ASB
- 2D code - Aztec Code
- 2D code - MaxiCode
- 2D code - Composite Symbology
- 2D code - Datamatrix
- Real-time retrieve sensor value

- Paper Type setting
- Buffered Printing
- Top margin by backfeed
- Legacy LF + CR