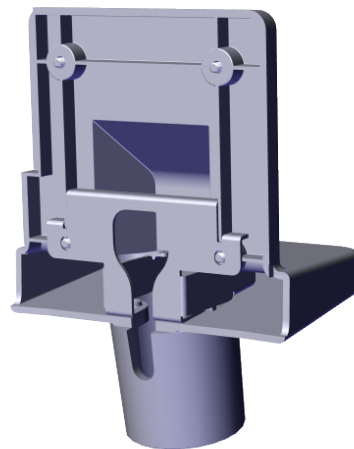


# Kit Instructions

## XD10 Pole Mount Head and Bracket



5985-K300  
Issue A



---

The product described in this document is a licensed product of NCR Corporation.

NCR is a registered trademark of NCR Corporation. NCR RealPOS is a trademark of NCR Corporation in the United States and/or other countries. Other product names mentioned in this publication may be trademarks or registered trademarks of their respective companies and are hereby acknowledged.

The terms HDMI and HDMI High-Definition Multimedia Interface, and the HDMI Logo are trademarks or registered trademarks of HDMI Licensing LLC in the United States and other countries.

Where creation of derivative works, modifications or copies of this NCR copyrighted documentation is permitted under the terms and conditions of an agreement you have with NCR, NCR's copyright notice must be included.

It is the policy of NCR Corporation (NCR) to improve products as new technology, components, software, and firmware become available. NCR, therefore, reserves the right to change specifications without prior notice.

All features, functions, and operations described herein may not be marketed by NCR in all parts of the world. In some instances, photographs are of equipment prototypes. Therefore, before using this document, consult with your NCR representative or NCR office for information that is applicable and current.

To maintain the quality of our publications, we need your comments on the accuracy, clarity, organization, and value of this book. Please use the link below to send your comments.

Email: [FD230036@ncr.com](mailto:FD230036@ncr.com)

Copyright © 2019  
By NCR Corporation  
Global Headquarters  
864 Spring St NW  
Atlanta, GA 30308  
U.S.A.  
All Rights Reserved

## Revision Record

Issue	Date	Remarks
A	Mar 2019	First Issue

---

# XD10 Pole Mount Head and Bracket

---

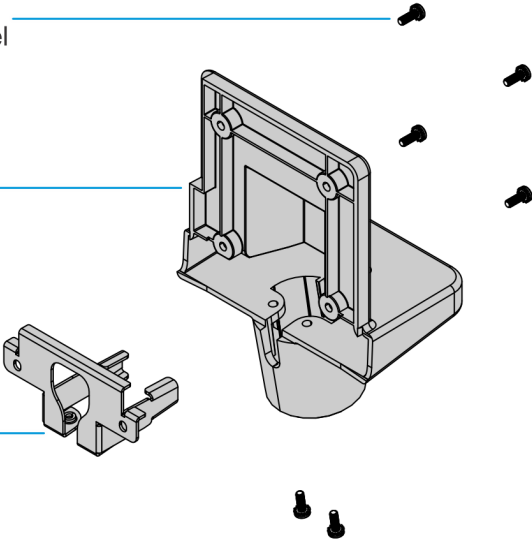
This kit provides a Pole Mount Head and Bracket for the 10.4" 5985 RealPOS X-Series Display (XD10).

## Kit Contents

Screw, SEMS, M4x12,  
Pan Head, Phillips, Steel  
006-8622686

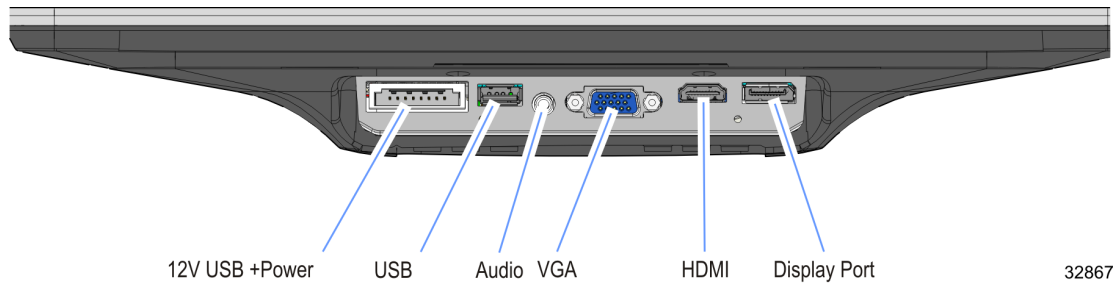
Display Pole Mount  
497-0512407

Bracket, 10" Display  
Pole Mount  
497-0512409

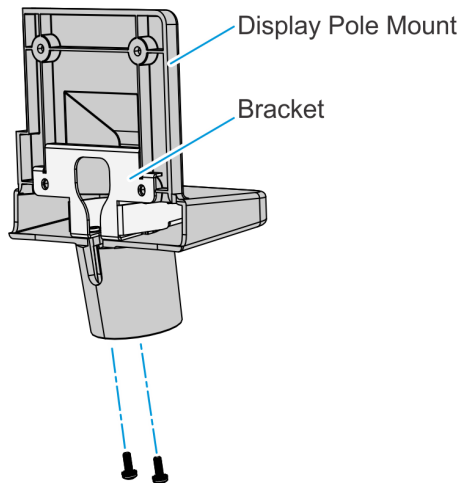


# Installation Procedure

1. Connect the cables on the back of the Display.

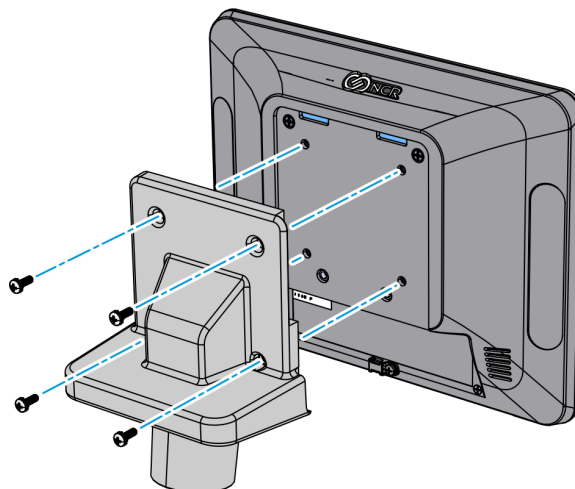


2. Install the Bracket on the Display Pole Mount using two (2) screws.



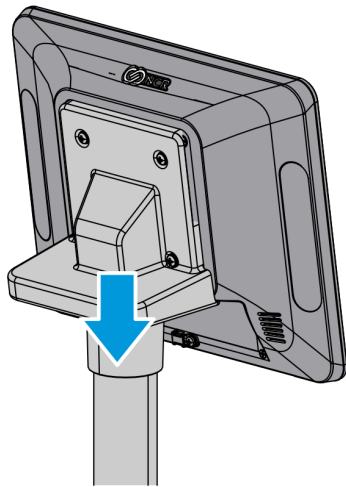
CCP-76570

3. Install the Display Pole Mount on the back of the Display using four (4) screws.



CCP-76571

4. Mount the Display on the Pole.



CCP-76572

5. Connect the Display Cables to the host terminal.

