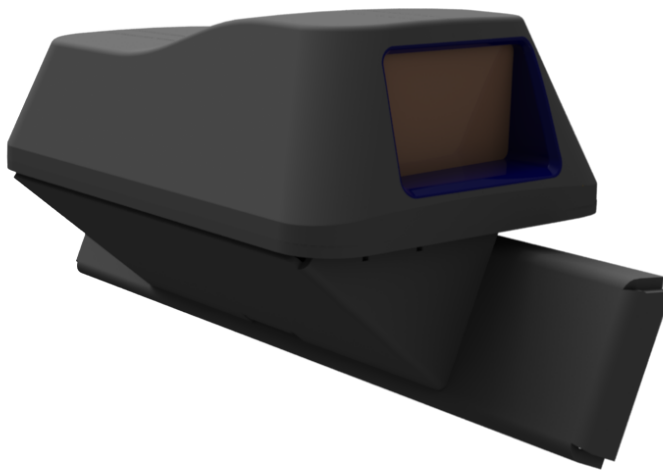


KIT INSTRUCTIONS

90 DEG SIDE MOUNT IMAGER



5968-K973
Issue B



The product described in this document is a licensed product of NCR Corporation.

NCR is a registered trademark of NCR Corporation. NCR RealPOS is a trademark of NCR Corporation in the United States and/or other countries. Other product names mentioned in this publication may be trademarks or registered trademarks of their respective companies and are hereby acknowledged.

The terms HDMI and HDMI High-Definition Multimedia Interface, and the HDMI Logo are trademarks or registered trademarks of HDMI Licensing LLC in the United States and other countries.

Where creation of derivative works, modifications or copies of this NCR copyrighted documentation is permitted under the terms and conditions of an agreement you have with NCR, NCR's copyright notice must be included.

It is the policy of NCR Corporation (NCR) to improve products as new technology, components, software, and firmware become available. NCR, therefore, reserves the right to change specifications without prior notice.

All features, functions, and operations described herein may not be marketed by NCR in all parts of the world. In some instances, photographs are of equipment prototypes. Therefore, before using this document, consult with your NCR representative or NCR office for information that is applicable and current.

To maintain the quality of our publications, we need your comments on the accuracy, clarity, organization, and value of this book. Please use the link below to send your comments.

EMail: FD230036@ncr.com

Copyright © 2017-2020
By NCR Corporation
Global Headquarters
864 Spring St NW
Atlanta, GA 30308
U.S.A.
All Rights Reserved

Revision Record

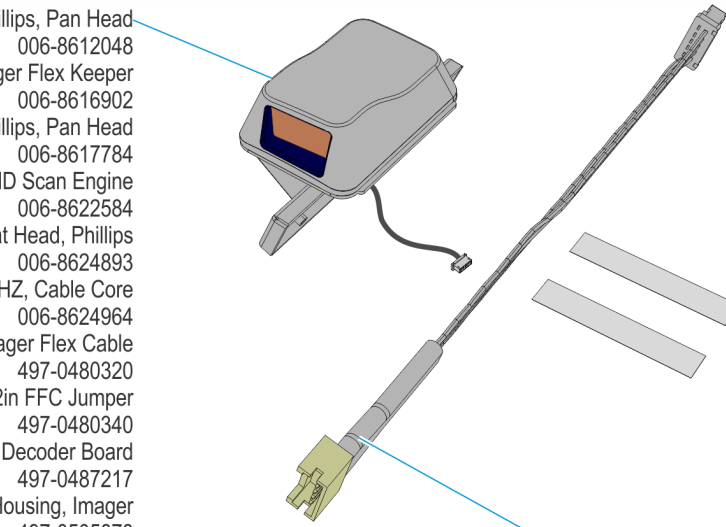
Issue	Date	Remarks
A	Mar 2017	First Issue
B	May 2020	Added "Programming the Imager" section

90 Deg Side Mount Imager

Introduction

This kit provides a 90 Deg. Side Mount Imager for a 5968 Display.

Kit Contents

- 
- (2) Screw, M3 x 8, SEMS, Phillips, Pan Head
006-8612048
Imager Flex Keeper
006-8616902
 - (6) Screw, M2 x 5 mm, Phillips, Pan Head
006-8617784
Honeywell N5680HD Scan Engine
006-8622584
 - (5) Screw, M3 x 5, Steel, Flat Head, Phillips
006-8624893
Ferrite Bead - 104 Ohms @ 100 MHZ, Cable Core
006-8624964
Honeywell Imager Flex Cable
497-0480320
12 Circuit 2in FFC Jumper
497-0480340
Honeywell N56XX Decoder Board
497-0487217
Housing, Imager
497-0505878
PCBA, Interface, Imager
497-0506220
Window, Imager
497-0506432
Cable, Imager and UV Light
497-0510413
Cover Bracker, UV and Imager, 5968
497-0514676
Support Bracket, UV and Imager, 5968
497-0514677
Plate Bracket, UV and Imager, 5968
497-0514678
- Extension Cable, MSR
497-0501312
- (2) Cable Management Tape
497-0480073

70646

Tool Required

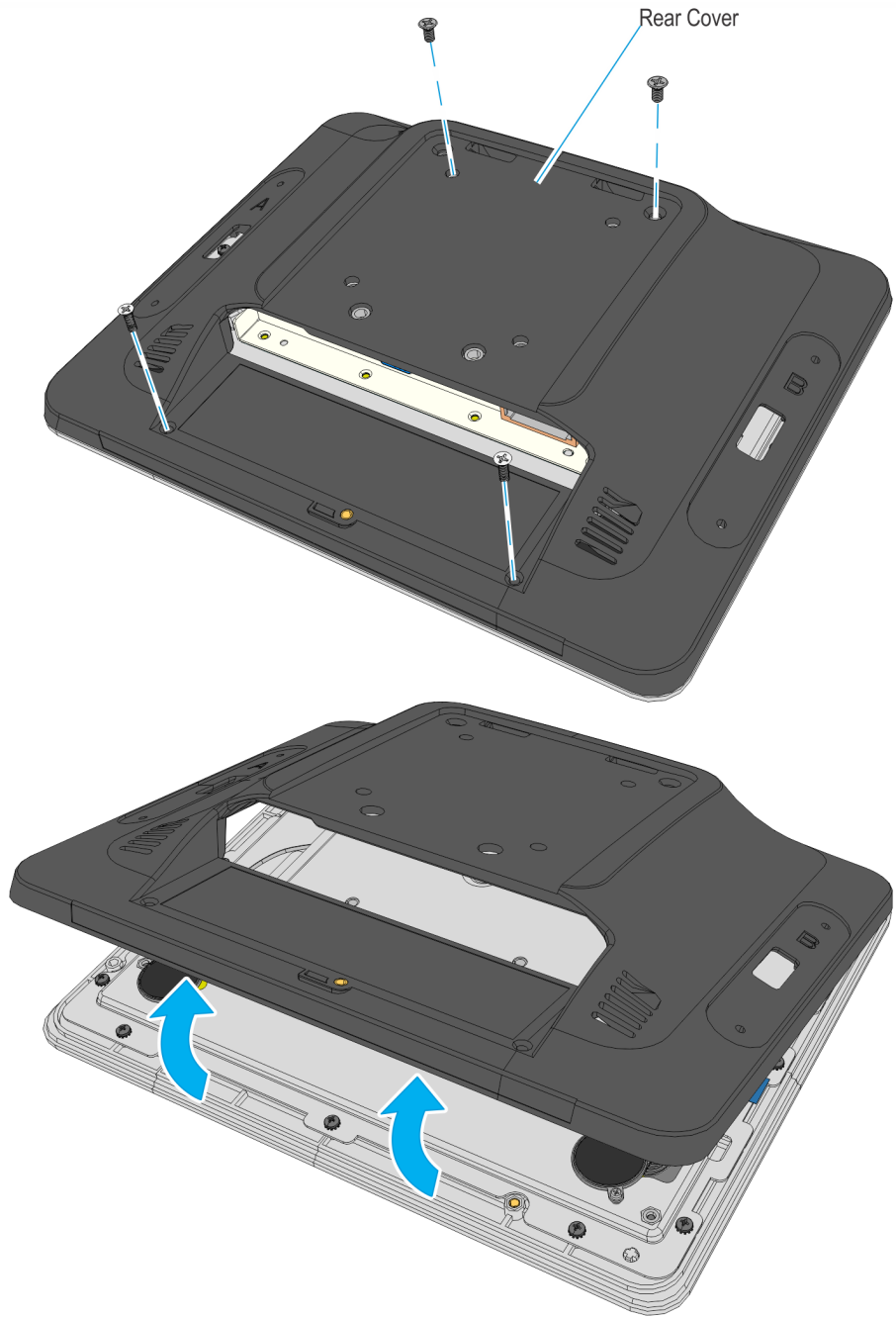
- #1 Phillips Screwdriver



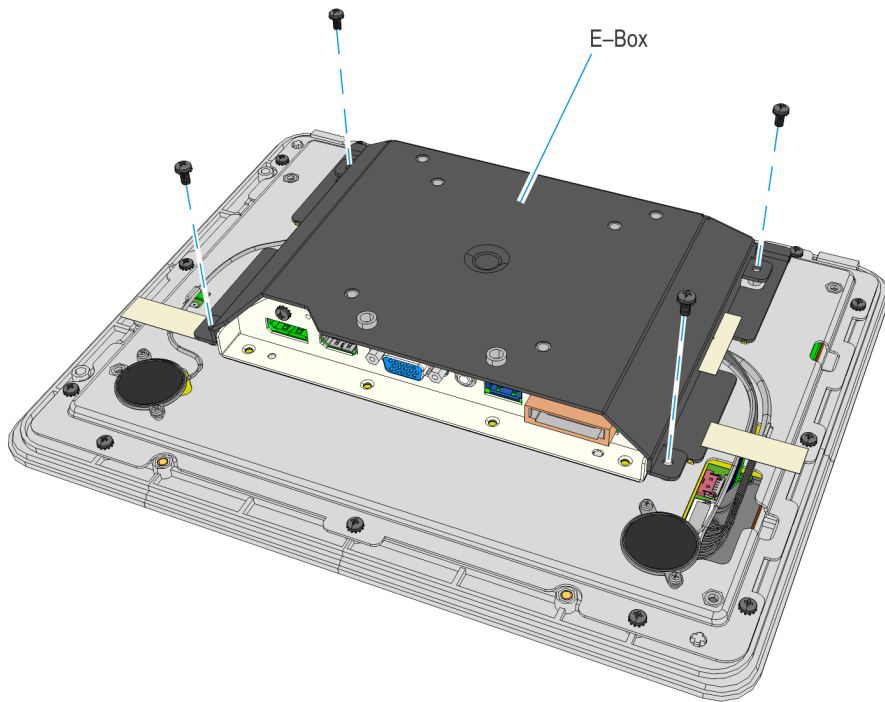
Note: It is highly recommended to use magnetic screwdrivers to handle the screws easily.

Installation Procedure

1. Remove the Rear Cover.

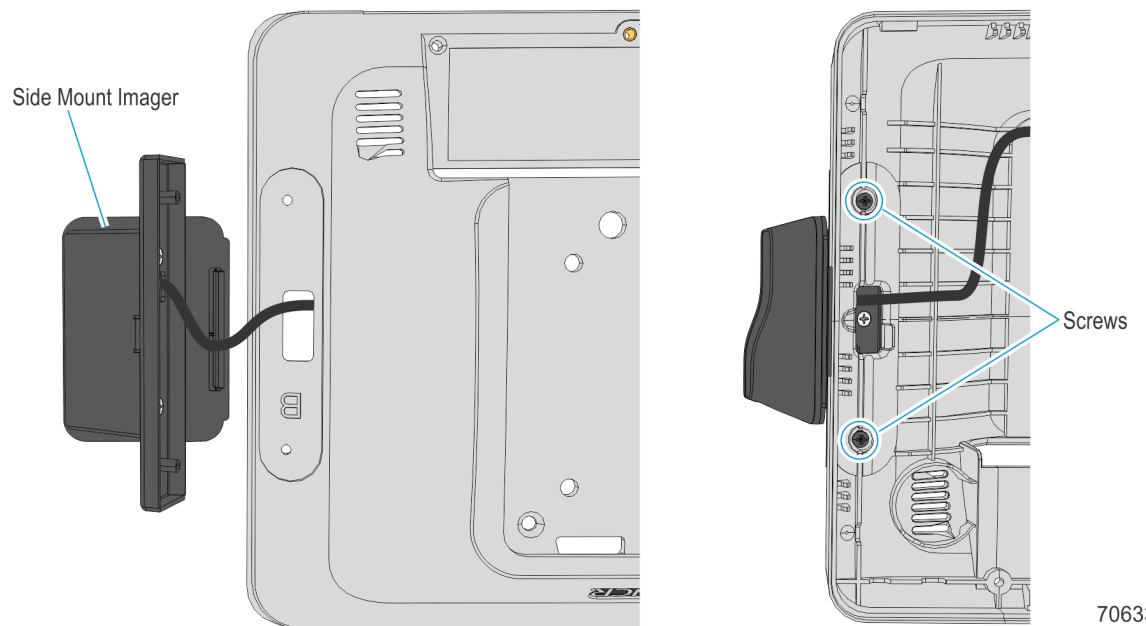


2. Remove the E-Box.



70632

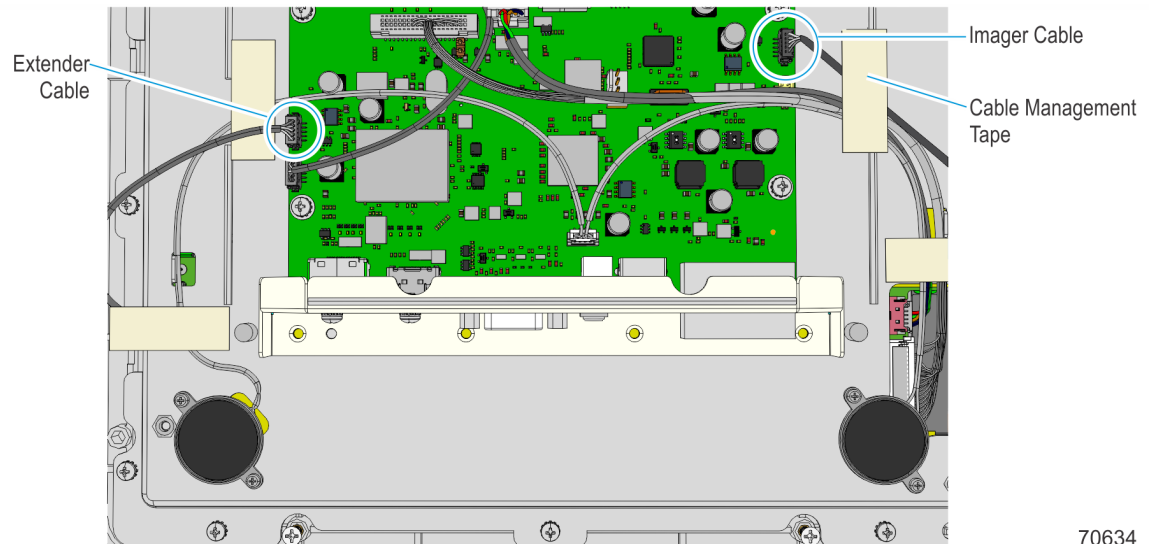
3. Feed the cable through the Rear Cover slot on Port B. Secure the Side Mount Imager assembly with screws (2).



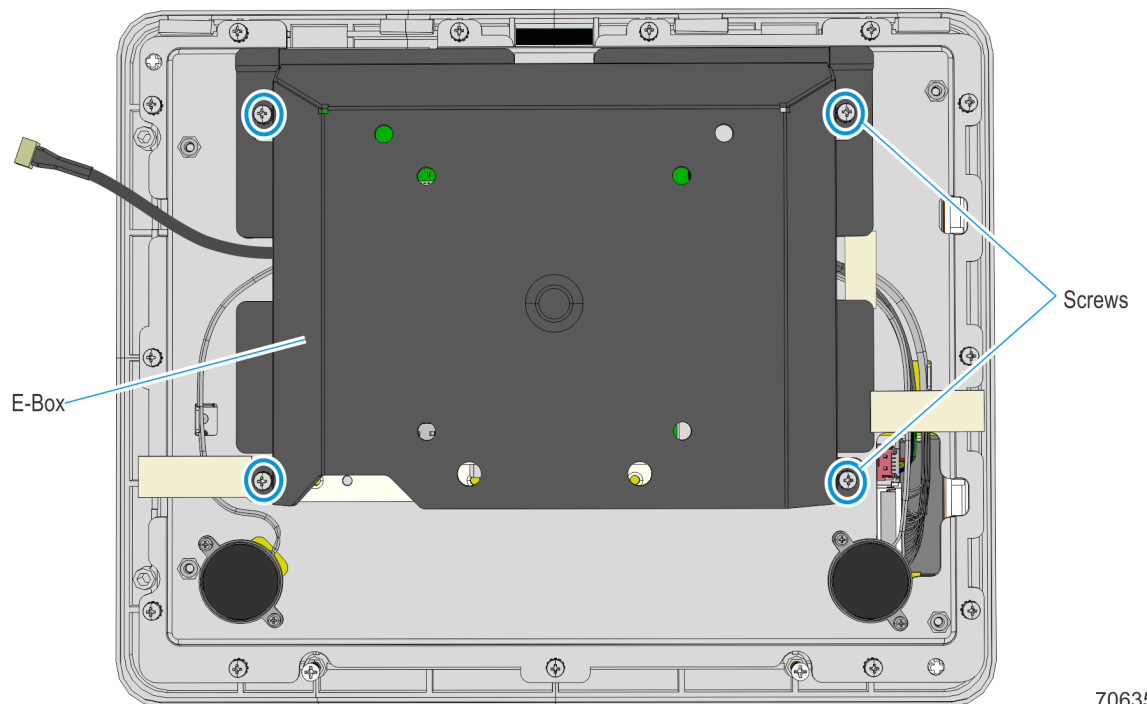
70633

4. Connect the cables to the display board. Secure the Imager Cable and other cables with cable management tape.

- Imager Cable — **J15**
- Extension Cable — **J14**



5. Install E-Box and secure with screws (4).



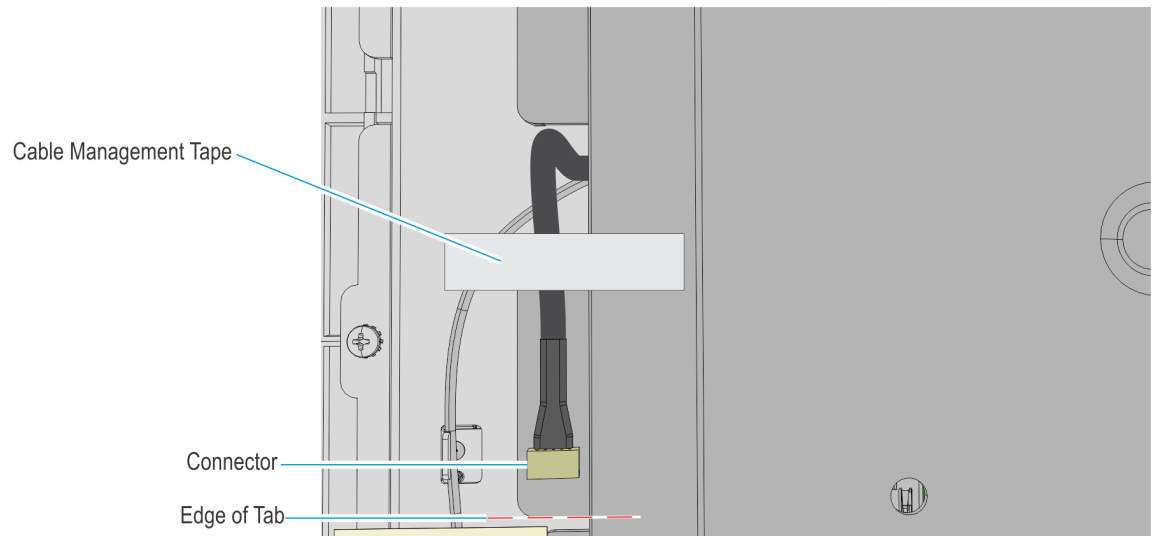
- Secure the extension cable to E-Box cover with cable management tape.



Note: Ensure that the extension cable connector will not hang past the edge of tab.

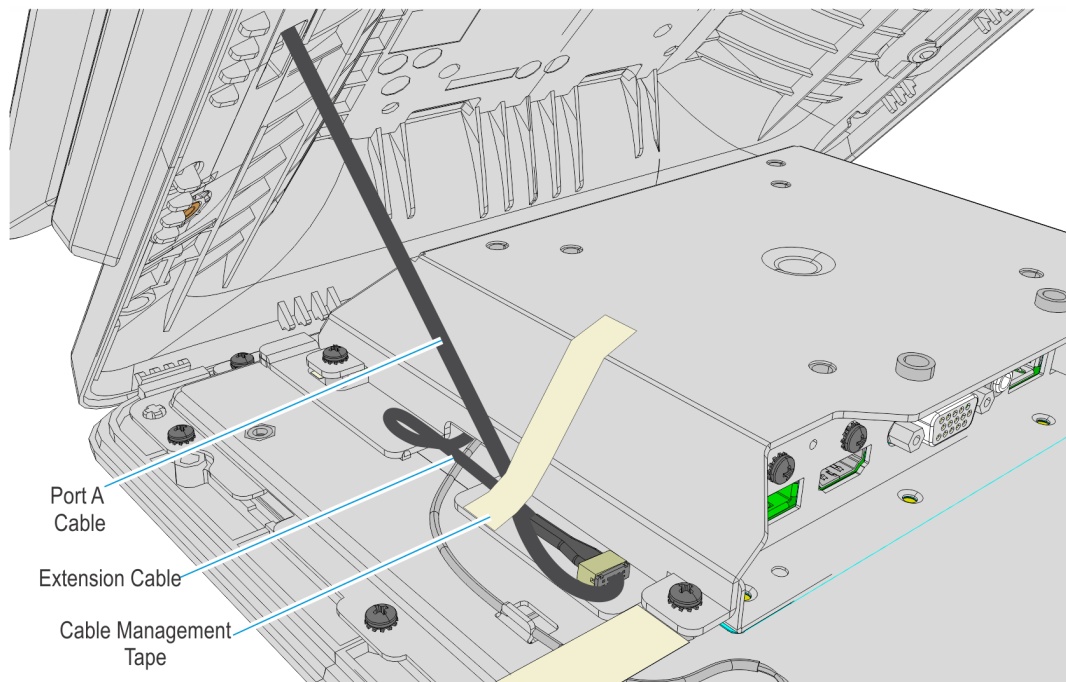


Note: An extension table is present if there is a Port B peripheral even without a Port A peripheral.



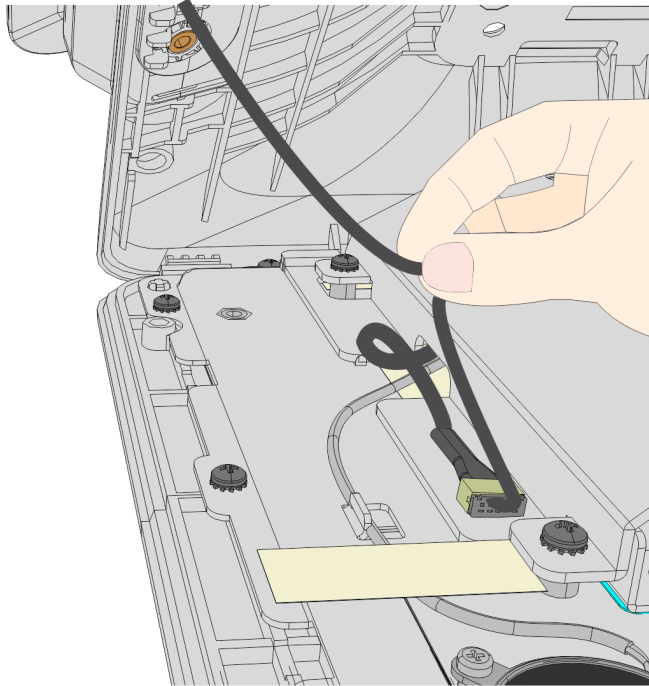
70636

- If a Port A peripheral is installed, connect the Port A cable to the extension cable. Secure both extension and Port A cables to the side of the E-Box cover with cable management tape.



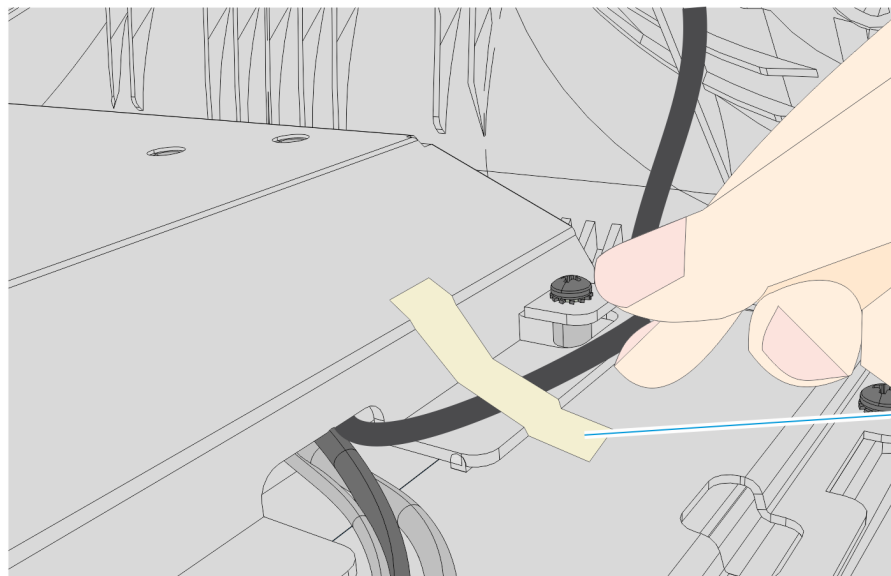
70637

8. Crease the Port A cable to help cable lay at the side of the E-Box cover.



70638

9. Secure the Side Mount Imager cable to the side of the E-Box cover.



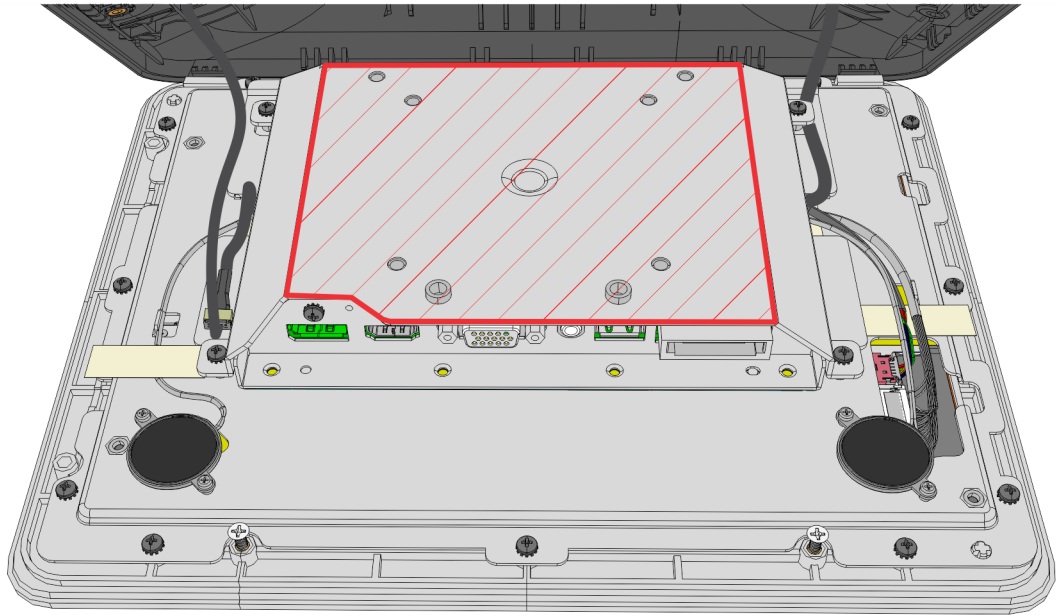
Cable Management Tape

70639

10. Clear the top of the E-Box Cover and Back Housing of cables.

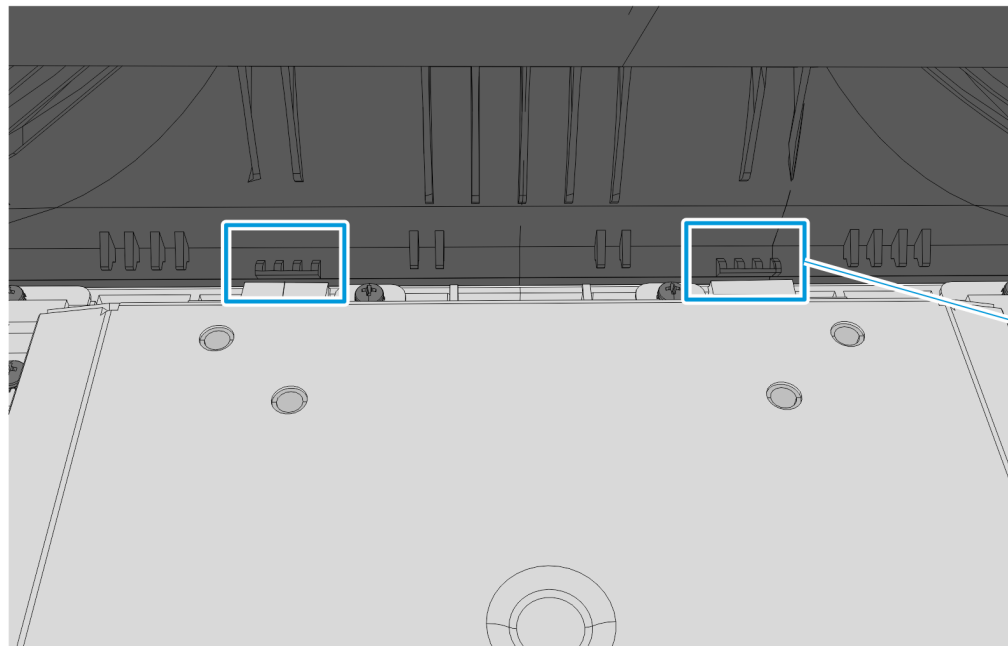


Note: Cables will be pinched if placed on top of E-Box cover.



70640

11. Hook the Rear Cover to the LCD assembly.

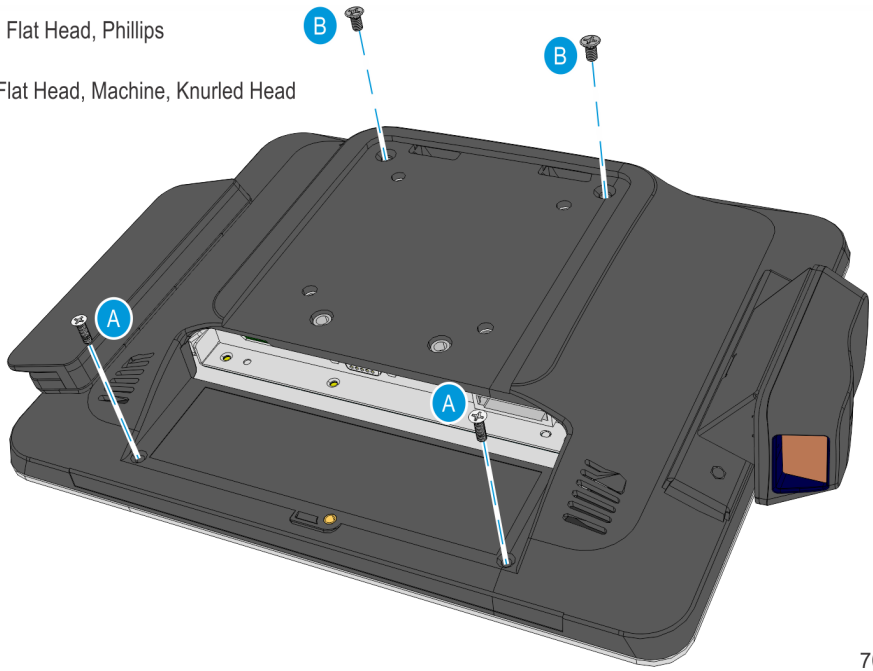


Hook

70641

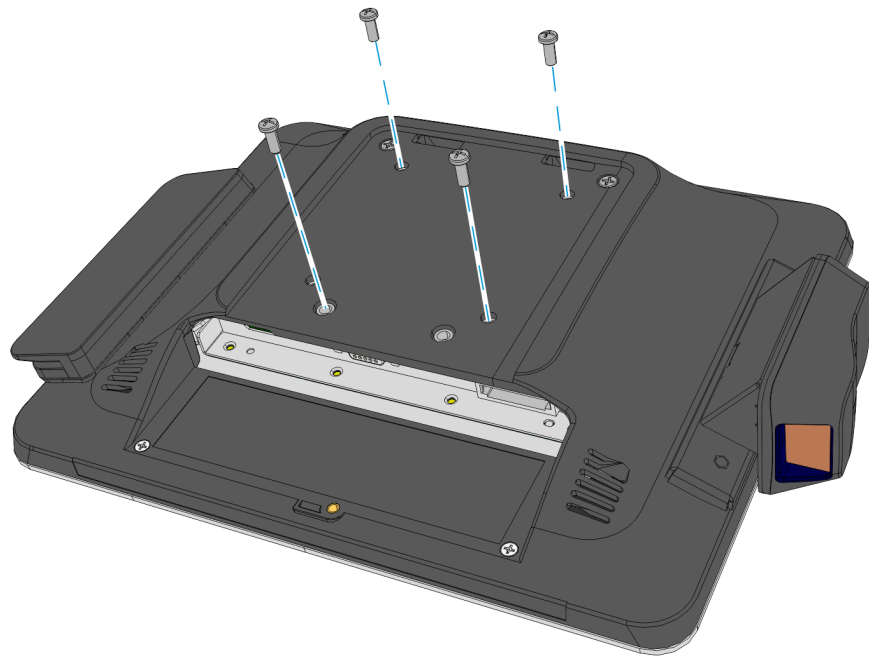
12. Install Rear Cover and secure with screws (4).

- A Screw, M3 x 10mm, Flat Head, Phillips
9 – 12 in-lbs torque
- B Screw, M4 x 8mm, Flat Head, Machine, Knurled Head
9 – 12 in-lbs torque



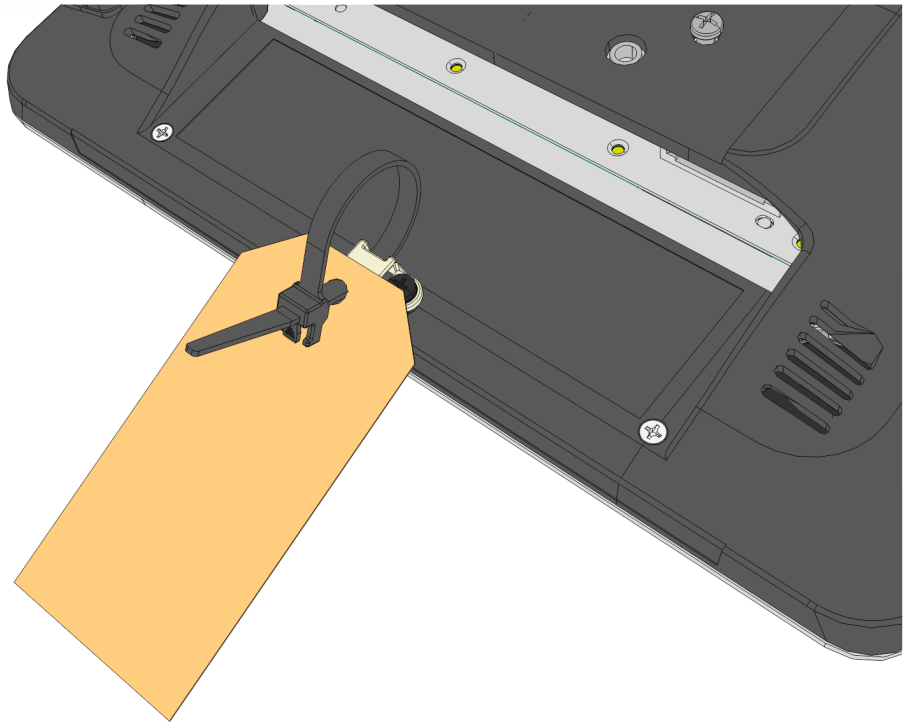
70642

13. Install VESA Screws (4).



70643

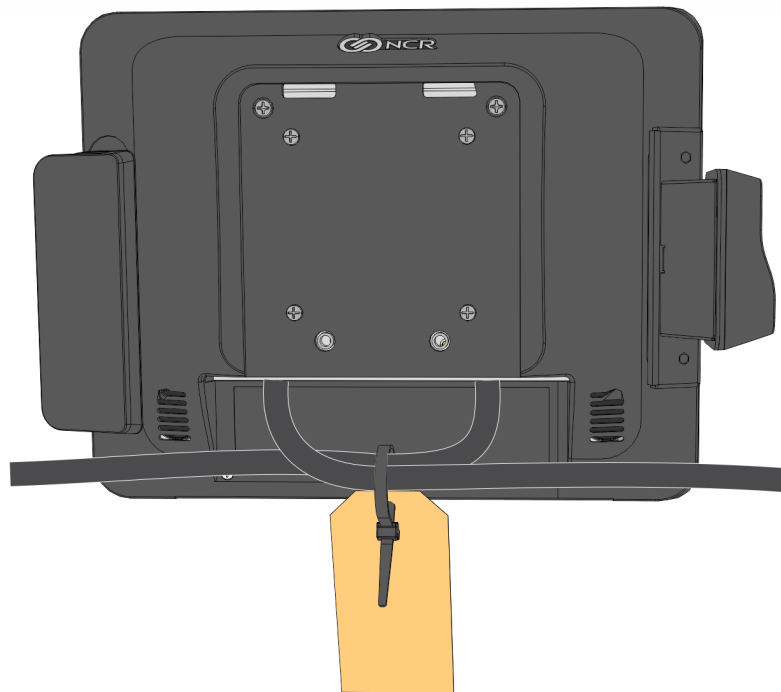
14. Install Anchor and Cable Tie. Secure the cable anchor into the display cover with screw (1).



70644



Note: The example below shows how the display cables are constrained by the zip tie and cable anchor.



70645

Programming the Imager

To program the imager to work on a Retail or Hospitality (Aloha) POS, refer to the following sections in the Imager Setup Sheets document (BCC5-0000-5470):

<https://onlinehelp.ncr.com/Retail/Scanners/ImagerSetup/HTML/FrontMatter-HTML/Home.htm>

- **Retail**
 - Honeywell N5680 Retail Quick Imager Setup
- **Hospitality (Aloha)**
 - Honeywell N5680 Aloha Programming Sheet