

# KIT INSTRUCTIONS

## X-Series Display Extension Arm Mount



5968-K453  
Issue A



---

The product described in this book is a licensed product of NCR Corporation.

NCR is a registered trademark of NCR Corporation. NCR RealPOS is a trademark of NCR Corporation in the United States and/or other countries. Other product names mentioned in this publication may be trademarks or registered trademarks of their respective companies and are hereby acknowledged.

The terms HDMI and HDMI High-Definition Multimedia Interface, and the HDMI Logo are trademarks or registered trademarks of HDMI Licensing LLC in the United States and other countries.

Where creation of derivative works, modifications or copies of this NCR copyrighted documentation is permitted under the terms and conditions of an agreement you have with NCR, NCR's copyright notice must be included.

It is the policy of NCR Corporation (NCR) to improve products as new technology, components, software, and firmware become available. NCR, therefore, reserves the right to change specifications without prior notice.

All features, functions, and operations described herein may not be marketed by NCR in all parts of the world. In some instances, photographs are of equipment prototypes. Therefore, before using this document, consult with your NCR representative or NCR office for information that is applicable and current.

To maintain the quality of our publications, we need your comments on the accuracy, clarity, organization, and value of this book. Please use the link below to send your comments.

[Documentation Feedback](#)

Copyright © 2015  
By NCR Corporation  
Duluth, GA U.S.A.  
All Rights Reserved

## Revision Record

Issue	Date	Remarks
A	Jul 2015	First Issue

---

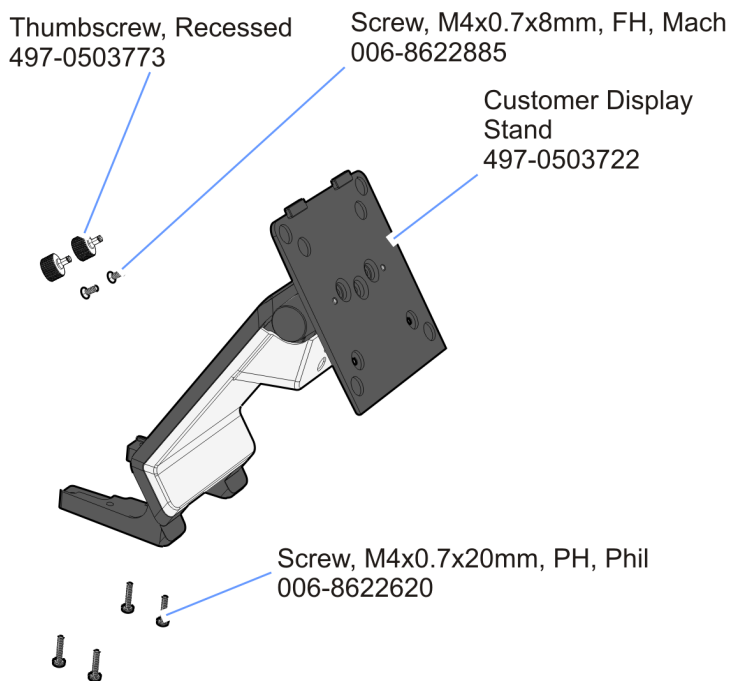
# X-Series Display Extension Arm Mount

---

## Introduction

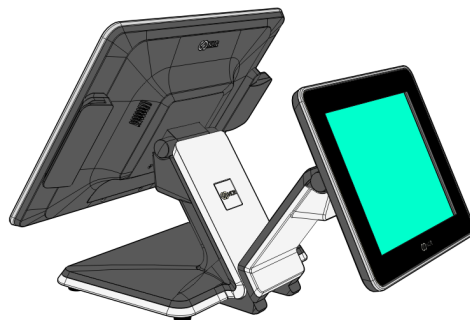
This kit contains the components to combine two X-Series Displays on a 7702-K030 POS Stand. The second display is mounted on an Extension Arm that is connected to the bottom of the stand. The 7702-K030 and the interface cables are not included and must be ordered separately.

## Components

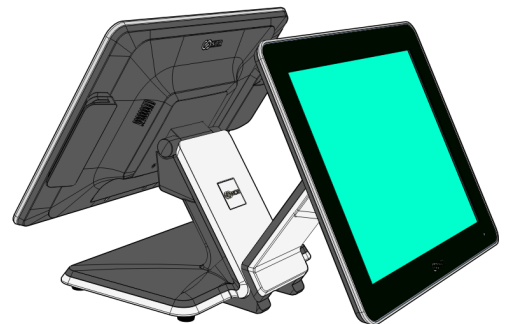


33900

The Customer Display Stand supports either a 10" or 15" X-Series Display.



15" Operator Display/10" Customer Display



15" Operator Display/15" Customer Display

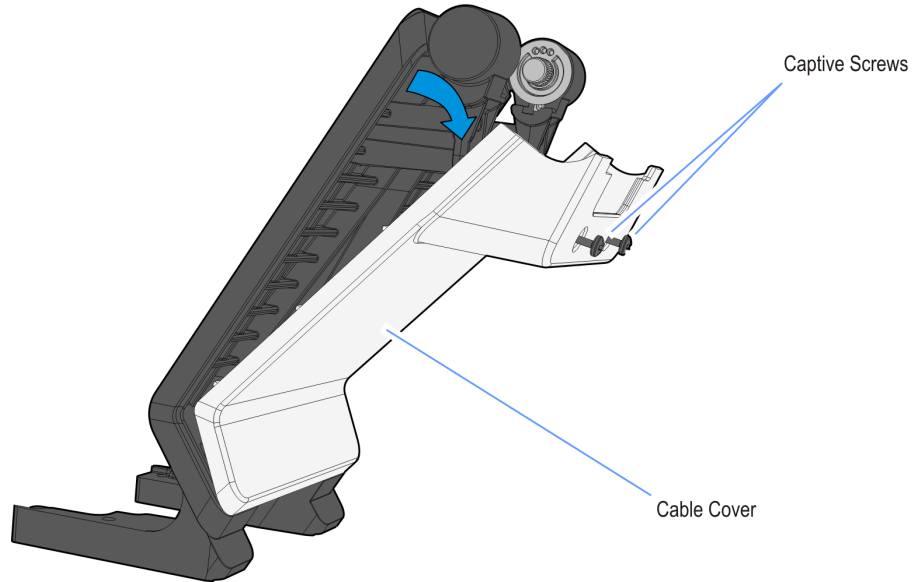
33901

## Installation Procedures



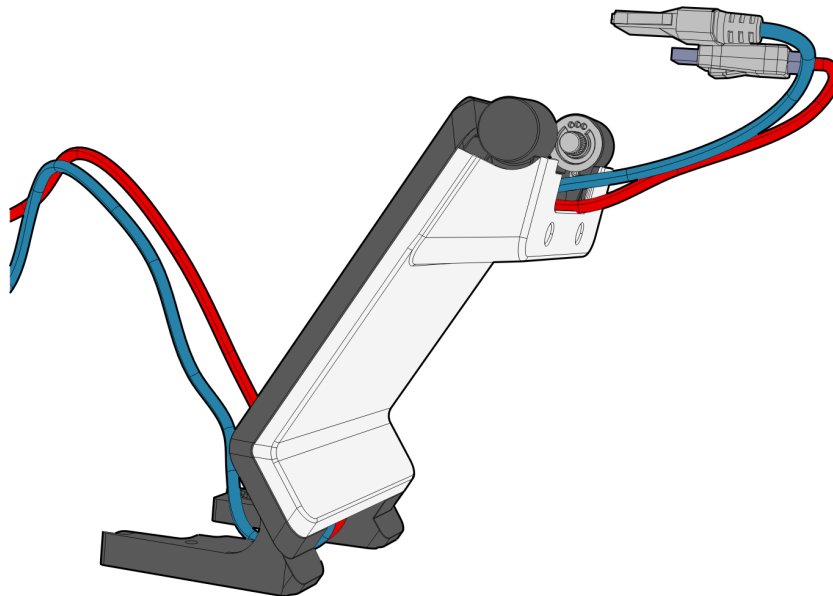
**Note:** This procedure assumes the Operator Display is already installed on the 7702-K030 Stand. The cables shown are for reference only.

1. Remove the Cable Cover from the Extension Arm.
  - a. Loosen the Captive Screws (2) in the Cable Cover.
  - b. Pivot the cover from the Extension Arm as shown.



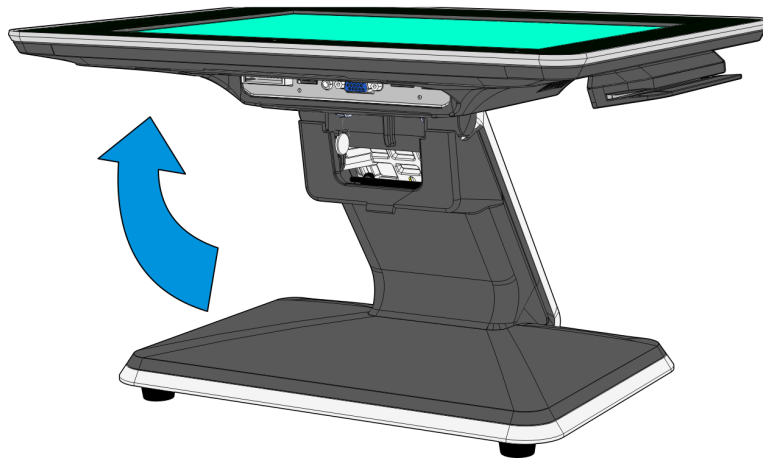
33566

2. Insert the cables into the Extension Arm
3. Reinstall the Cable Cover.



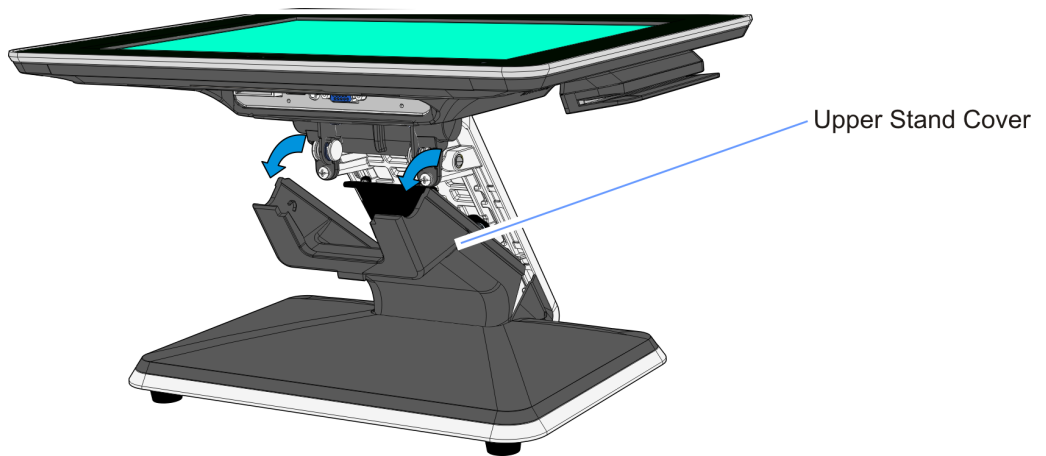
33567

- Pivot the Operator Display to a horizontal position.



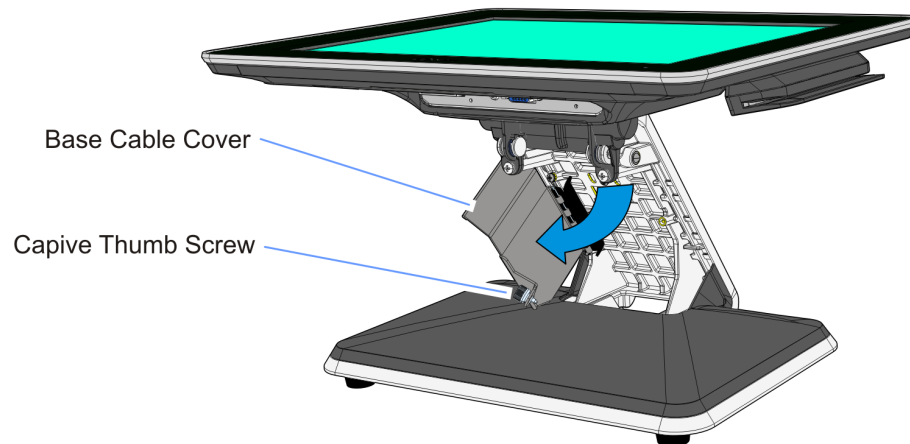
33902

- Remove the Upper Stand Cover by pivoting it away from the stand. The cover has a snap fit connection at the top.




33903

- Loosen the captive thumb screw on the Base Cable Cover and pivot it open.

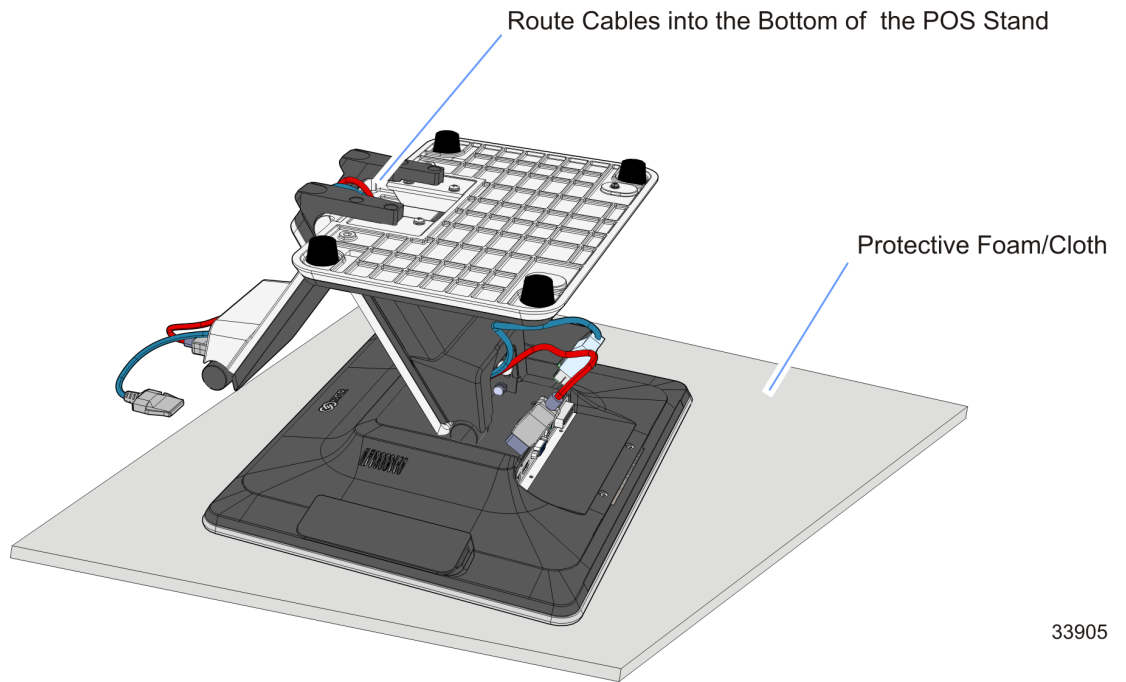


33904

7. Lay the terminal with the display faced down on a flat surface.

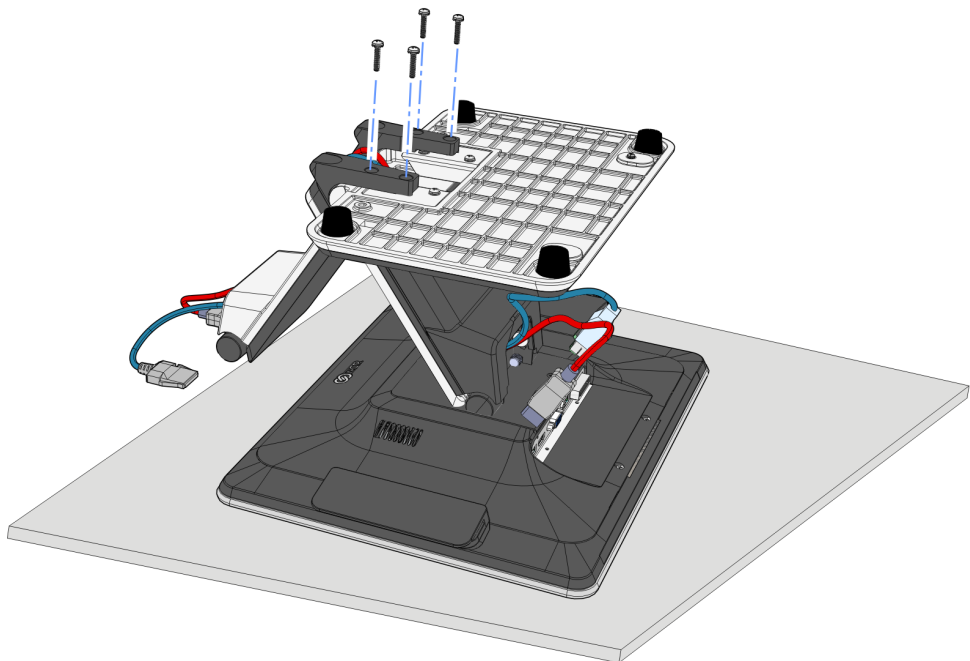
 **Caution:** Always use a soft material (cloth, foam) to protect the display screen when placing the terminal face down.

8. Route the cables through the opening in the bottom of the stand.



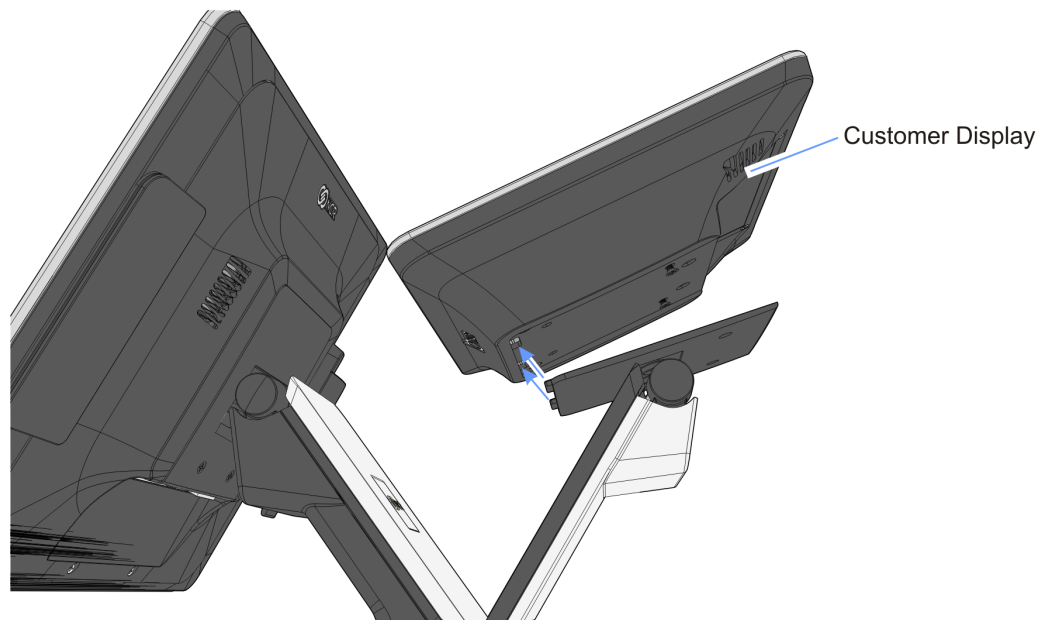
33905

9. Secure the Extension Arm to the stand (4 screws).



33906

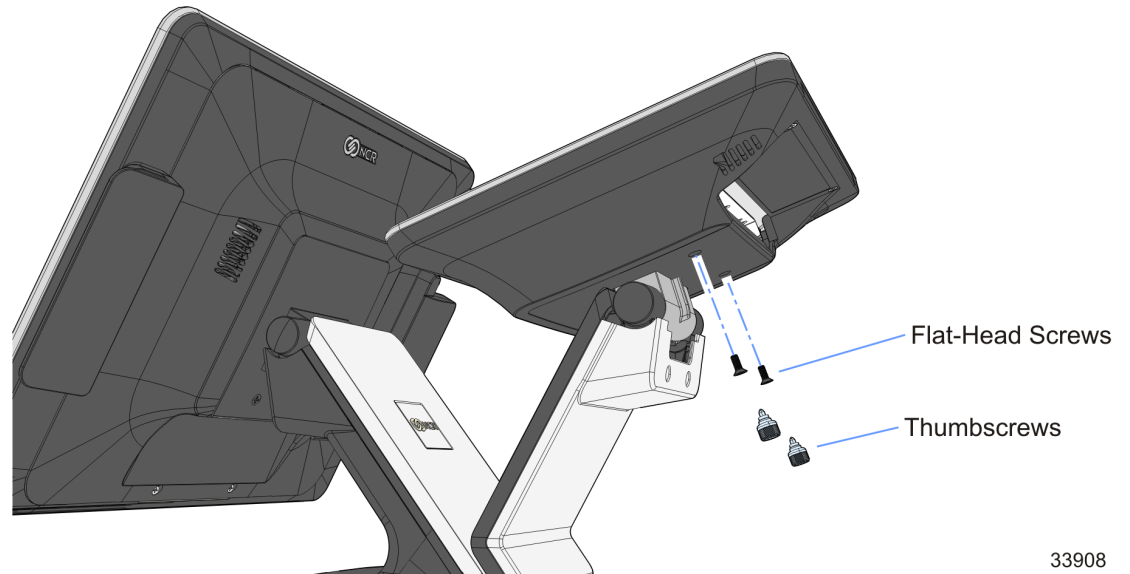
10. Connect the interface cables to Operator Display.
11. Place the terminal upright on it's stand.
12. Close the Base Cable Cover over the cables and secure it (thumbscrew).
13. Reinstall the Upper Stand Cover.
14. Install the customer display on the Customer Display Mount.
  - a. Tilt the operator display to a vertical position.
  - b. Tilt the Customer Display Mounting Plate fully forward.
  - c. Insert the tabs (2) on the top edge of the Mounting Plate into the slots in the back of the customer display.



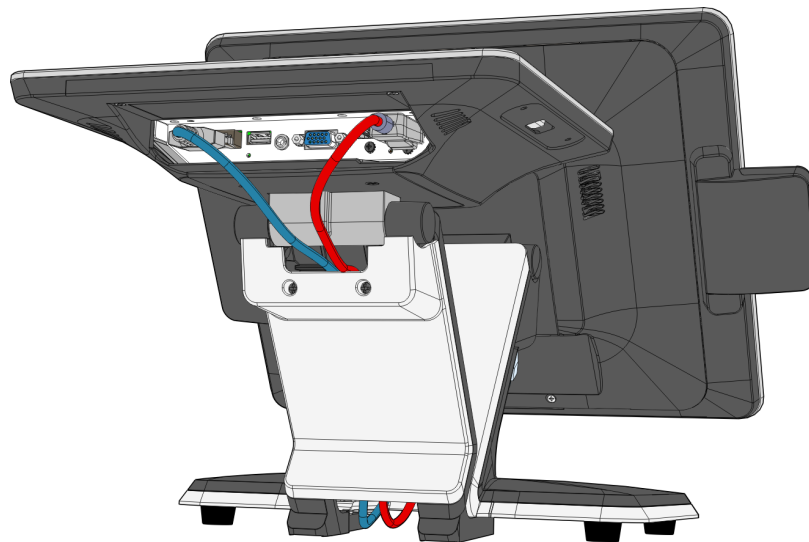
- d. Secure the display with screws(2).



**Note:** There are two sets of screws included in the kit. You can use the flat-head Phillips screws or the recessed thumbscrews.



15. Connect the USB+12V Cable and Display Port Cable to the Customer Display.



16. Connect the display interface cables to the host terminal.