

Kit Instructions

Capacitive Biometric Reader



5968-K154
Issue A



The product described in this document is a licensed product of NCR Corporation.

NCR is a registered trademark of NCR Corporation. NCR RealPOS is a trademark of NCR Corporation in the United States and/or other countries. Other product names mentioned in this publication may be trademarks or registered trademarks of their respective companies and are hereby acknowledged.

The terms HDMI and HDMI High-Definition Multimedia Interface, and the HDMI Logo are trademarks or registered trademarks of HDMI Licensing LLC in the United States and other countries.

Where creation of derivative works, modifications or copies of this NCR copyrighted documentation is permitted under the terms and conditions of an agreement you have with NCR, NCR's copyright notice must be included.

It is the policy of NCR Corporation (NCR) to improve products as new technology, components, software, and firmware become available. NCR, therefore, reserves the right to change specifications without prior notice.

All features, functions, and operations described herein may not be marketed by NCR in all parts of the world. In some instances, photographs are of equipment prototypes. Therefore, before using this document, consult with your NCR representative or NCR office for information that is applicable and current.

To maintain the quality of our publications, we need your comments on the accuracy, clarity, organization, and value of this book. Please use the link below to send your comments.

Email: FD230036@ncr.com

Copyright © 2019
By NCR Corporation
Global Headquarters
864 Spring St NW
Atlanta, GA 30308
U.S.A.
All Rights Reserved

Revision Record

Issue	Date	Remarks
A	Jan 2019	First Issue

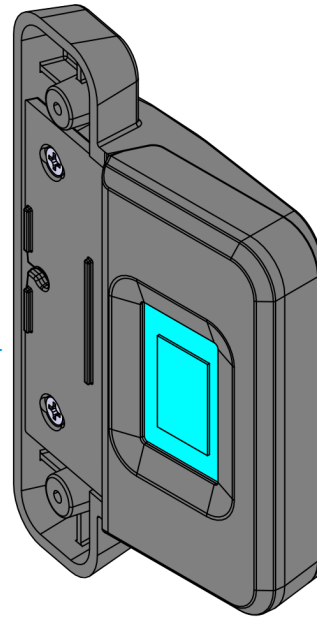
Capacitive Biometric Reader

This kit provides a Capacitive Biometric Reader for the 15" or 18.5" 5968 RealPOS X-Series Display.

Kit Contents

Screw, M3x5, Steel, Flat Head, Phillips, Clear Zinc, with ND Nylon Patch
006-8624893

Capacitive Biometric Reader
497-0522703



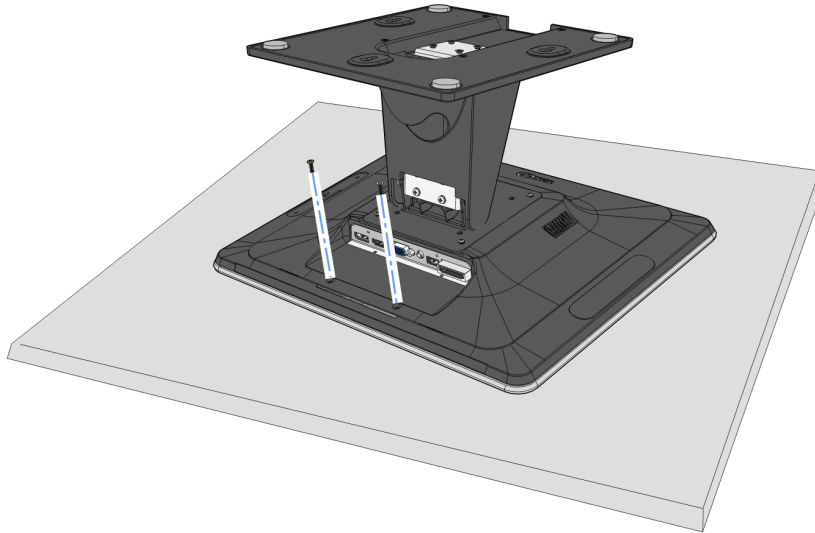
CCP-75442

Installation Procedure

1. Remove the screws (2) that secure the Stand and Rear Cover to the display.

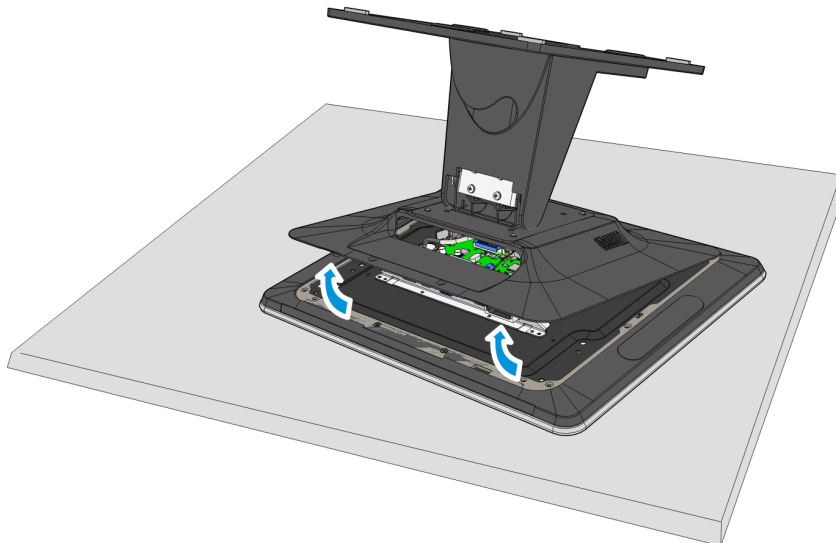


Caution: Always use a soft material (cloth, foam) to protect the display screen when placing the terminal face down.



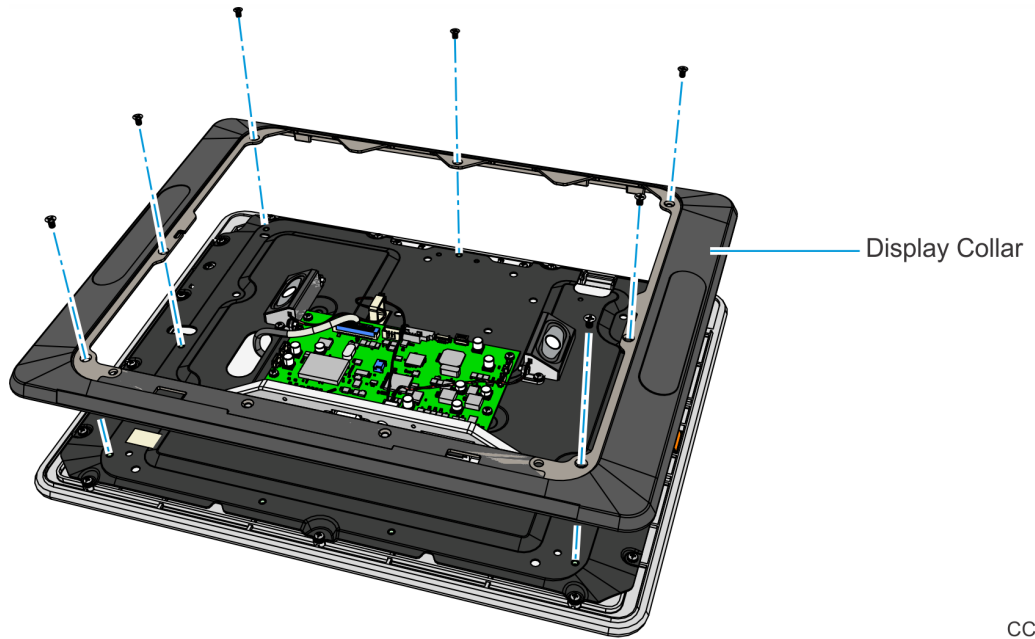
33867

2. Pivot the Stand and Rear Cover assembly as shown to remove it.



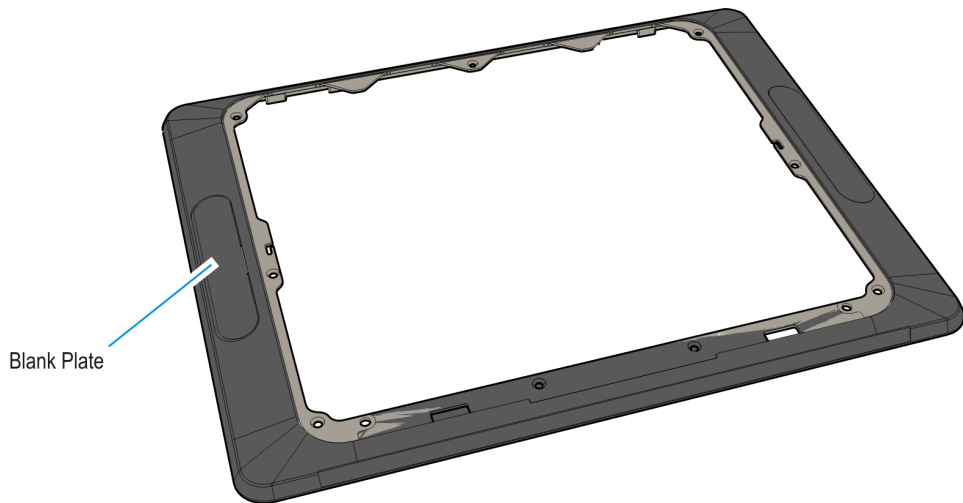
33868

3. Remove the Display Collar (7 screws).



CCP-75443

4. Remove the Blank Plate from Port A of the Display Collar. The plate is connected to the Display Collar with a strong adhesive. Use care when removing it to avoid damage to the Display Collar.

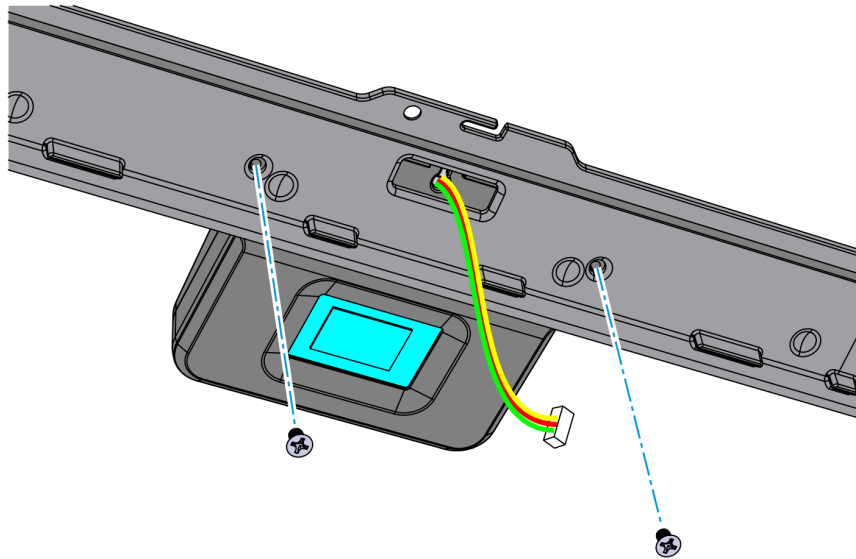


33309c

5. Mount the Capacitive Biometric Reader on the Display Collar.
 - a. Route the Capacitive Biometric Reader Cable through the cable access of the Display Collar.
 - b. Install the Capacitive Biometric Reader on the Display Collar (2 screws included in the kit).

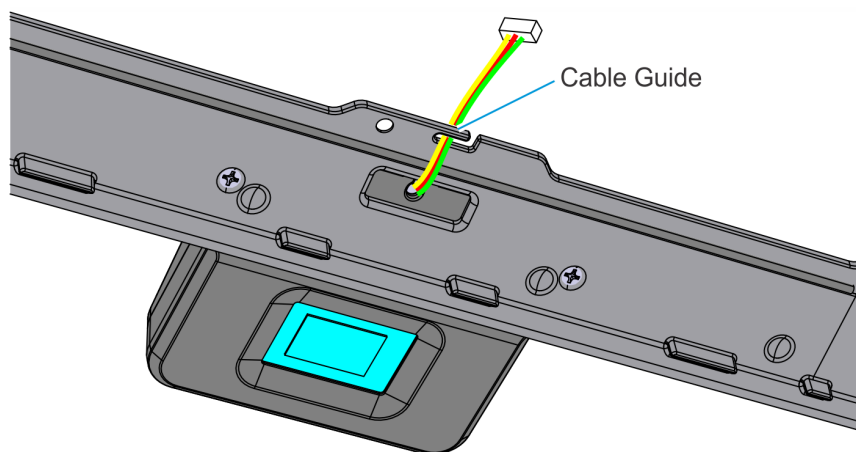


Note: Do not overtighten the screws.



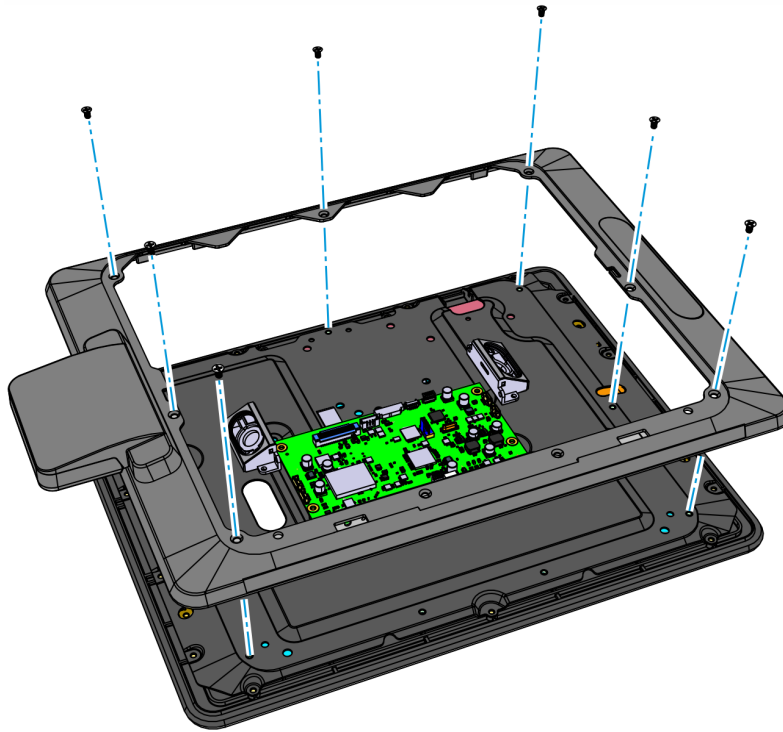
CCP-75445

6. Route the Capacitive Biometric Reader Cable through the Cable Guide on the Display Collar.



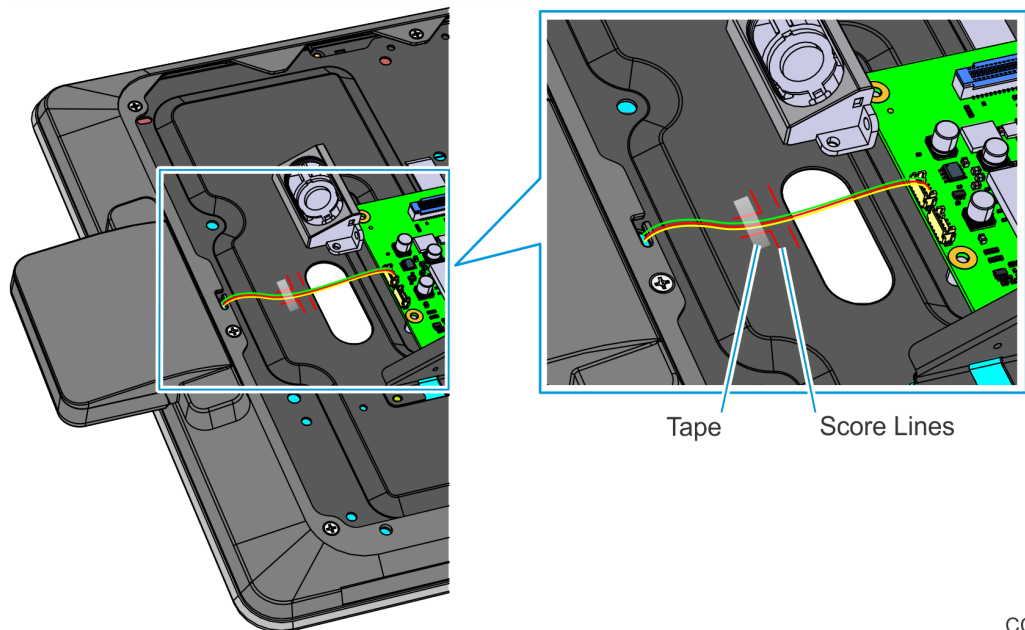
CCP-75446

7. Install the Display Collar on the terminal (7 screws).



CCP-75447

8. Connect the Capacitive Biometric Reader Cable to the Motherboard.
9. Tape the Capacitive Biometric Reader Cable to the Display Sled between the score lines as shown below. This locates the cable so it does not get pinched when the Rear Cover is installed.



CCP-75448

10. Reinstall the Rear Cover and Stand.

Cleaning and Using the Biometrics Reader

Sensor Cleaning Procedures

Daily Cleaning

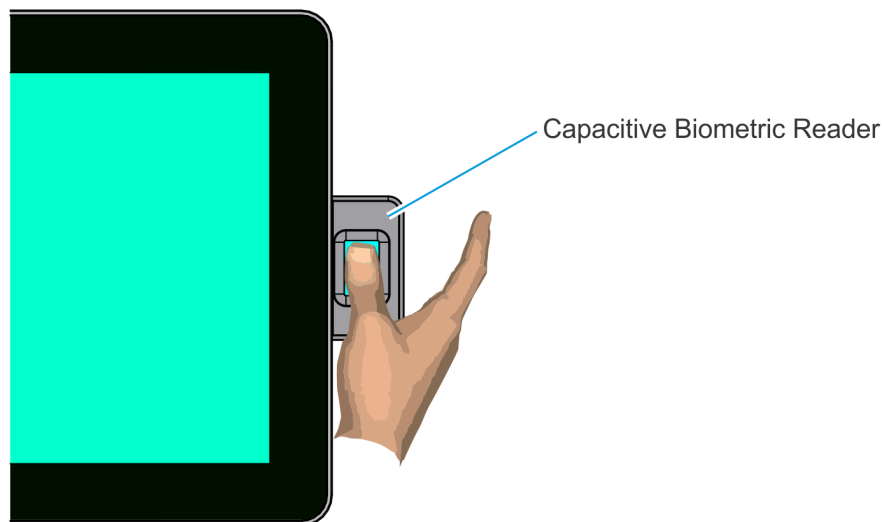
Before each authentication, it is recommended that the user first clean the sensor. Place adhesive tape onto the sensor and then pull it off. This assures that residue from previous usage is removed.



Caution: Do not use abrasive materials to clean the sensor, including paper products. Only adhesive tape should be used.

Using the Biometrics Reader

Place thumb/finger flat and straight on the sensor. If this is not possible, try to place thumb/finger on the sensor in the same angle every time.



CCP-75444

Under normal usage conditions dirt, residue, oils, and other materials can collect on users' fingers. This can possibly cause poor collection of fingerprint data, which can cause performance degradation. For the best results, it is recommended that the user keeps their fingers relatively clean and free of residues that may alter the sensor performance.

Scotch tape can be used to clean fingers. Adhere the tape to the finger and then pull it off.

Software Drivers

The RealPOS Capacitive Biometrics Reader is a TouchChip TCET Silicon Module utilizing sensor TCETD1FG022. Please visit the Crossmatch website for drivers and application developer tools.

<https://www.crossmatch.com/company/support/request/>

