

Kit Instructions

Magnetic Stripe Reader (MSR) for 18.5" 5968 Display



5968-K144
Issue A



The product described in this document is a licensed product of NCR Corporation.

NCR is a registered trademark of NCR Corporation. NCR RealPOS is a trademark of NCR Corporation in the United States and/or other countries. Other product names mentioned in this publication may be trademarks or registered trademarks of their respective companies and are hereby acknowledged.

The terms HDMI and HDMI High-Definition Multimedia Interface, and the HDMI Logo are trademarks or registered trademarks of HDMI Licensing LLC in the United States and other countries.

Where creation of derivative works, modifications or copies of this NCR copyrighted documentation is permitted under the terms and conditions of an agreement you have with NCR, NCR's copyright notice must be included.

It is the policy of NCR Corporation (NCR) to improve products as new technology, components, software, and firmware become available. NCR, therefore, reserves the right to change specifications without prior notice.

All features, functions, and operations described herein may not be marketed by NCR in all parts of the world. In some instances, photographs are of equipment prototypes. Therefore, before using this document, consult with your NCR representative or NCR office for information that is applicable and current.

To maintain the quality of our publications, we need your comments on the accuracy, clarity, organization, and value of this book. Please use the link below to send your comments.

Email: FD230036@ncr.com

Copyright © 2019
By NCR Corporation
Global Headquarters
864 Spring St NW
Atlanta, GA 30308
U.S.A.
All Rights Reserved

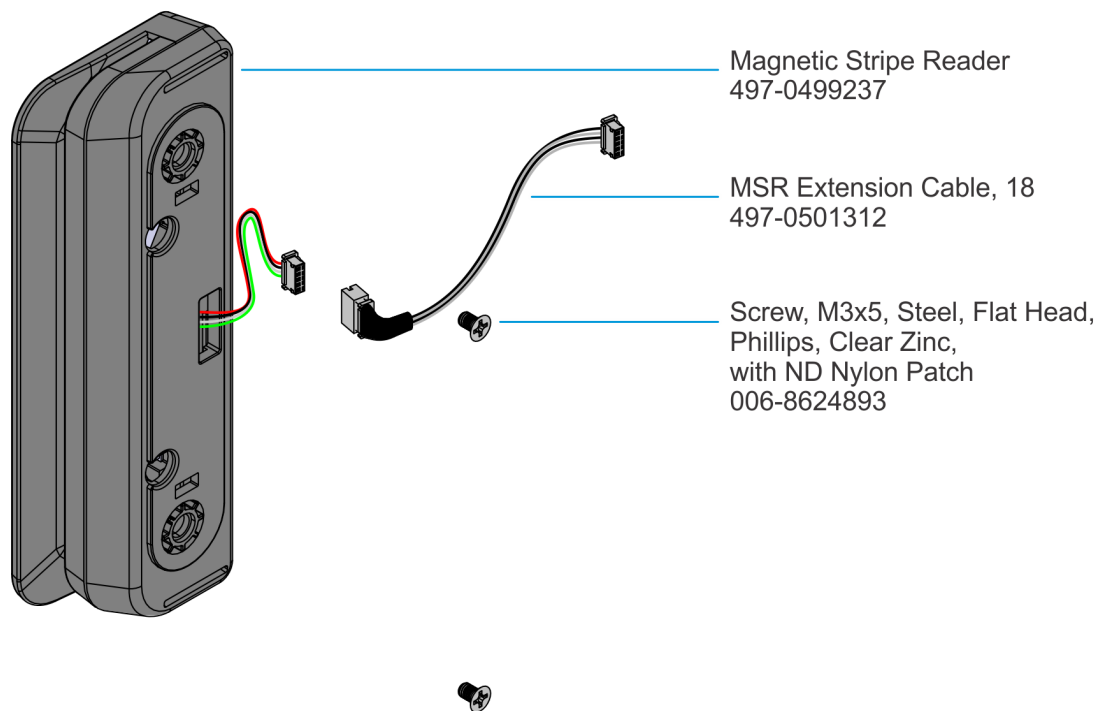
Revision Record

Issue	Date	Remarks
A	Jan 2019	First Issue

MSR for 18.5" 5968 Display

This kit provides a Magnetic Stripe Reader (MSR) for the 18.5" 5968 RealPOS X-Series Display.

Kit Contents

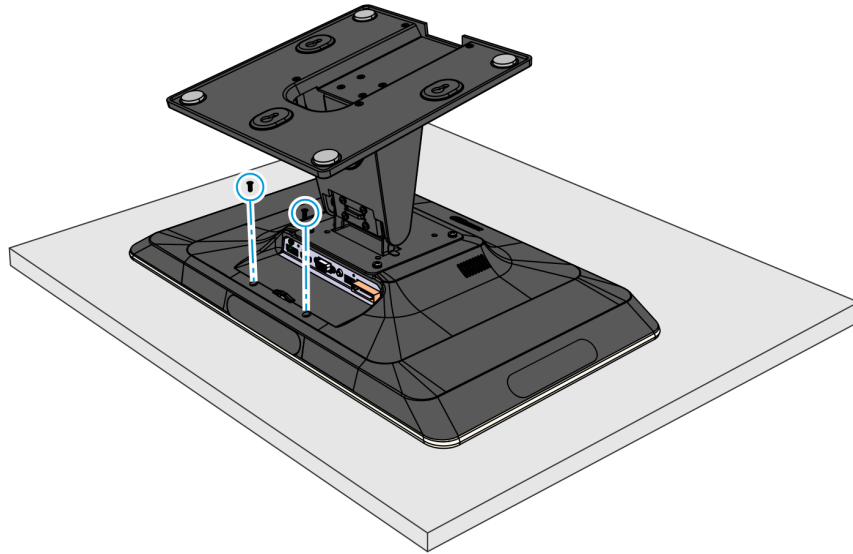


Installation Procedure

1. Remove the screws (2) that secure the Stand and Rear Cover to the display.

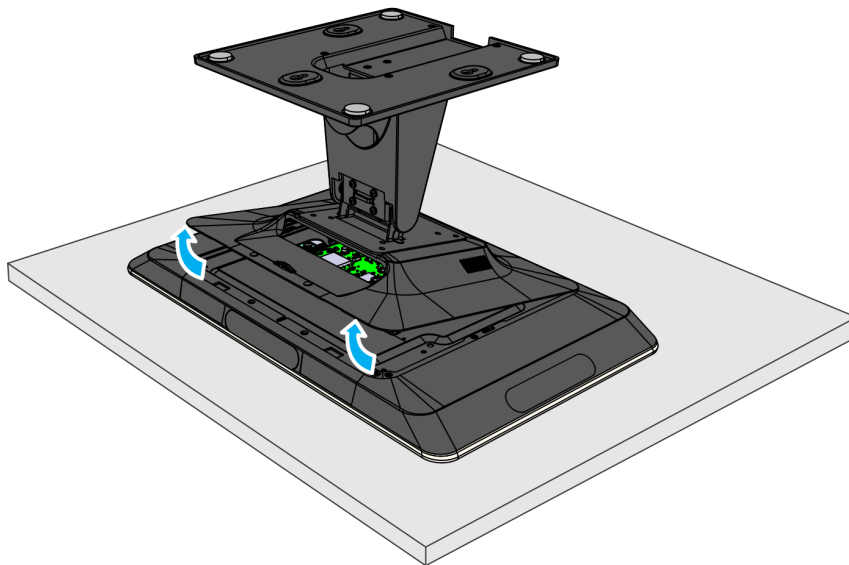


Caution: Always use a soft material (cloth, foam) to protect the display screen when placing the terminal face down.



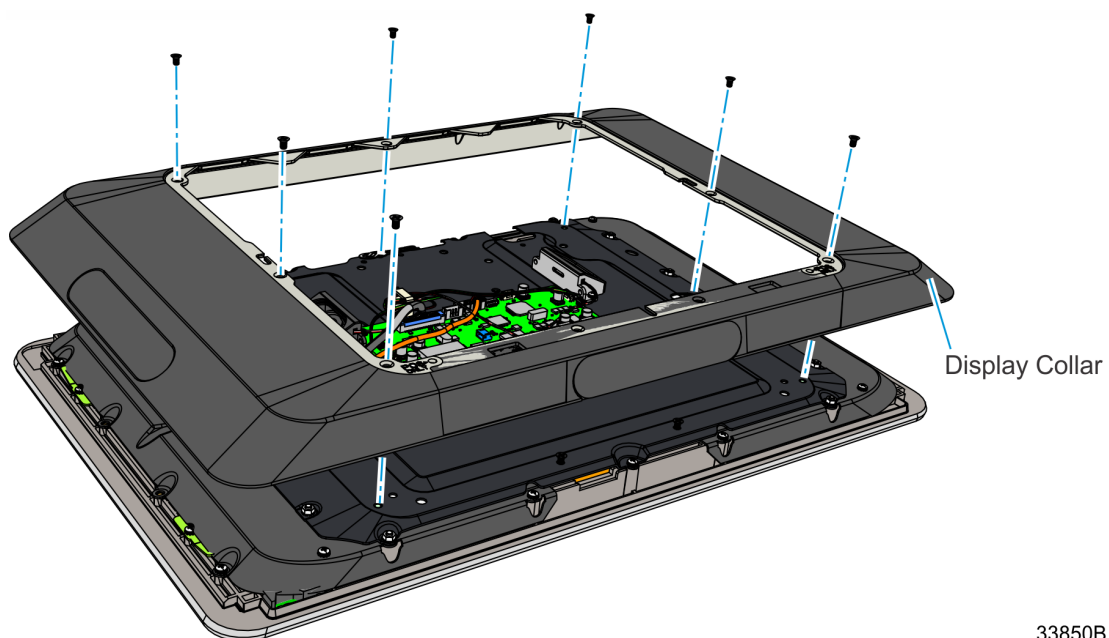
CCP-75467

2. Pivot the Stand and Rear Cover assembly as shown to remove it.



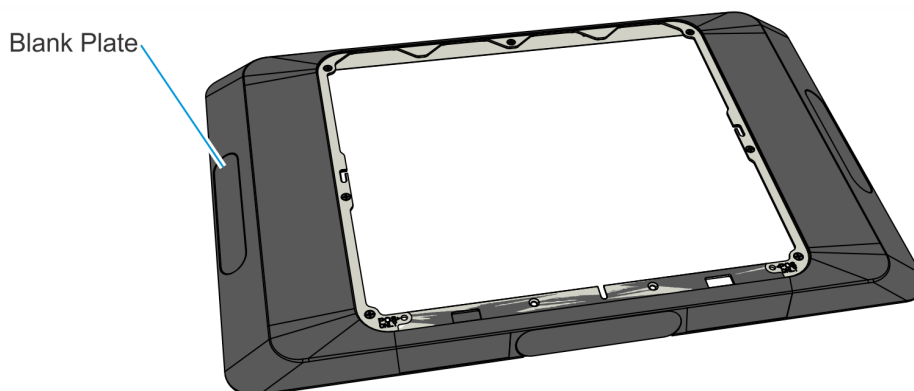
CCP-75468

3. Remove the Display Collar (7 screws).




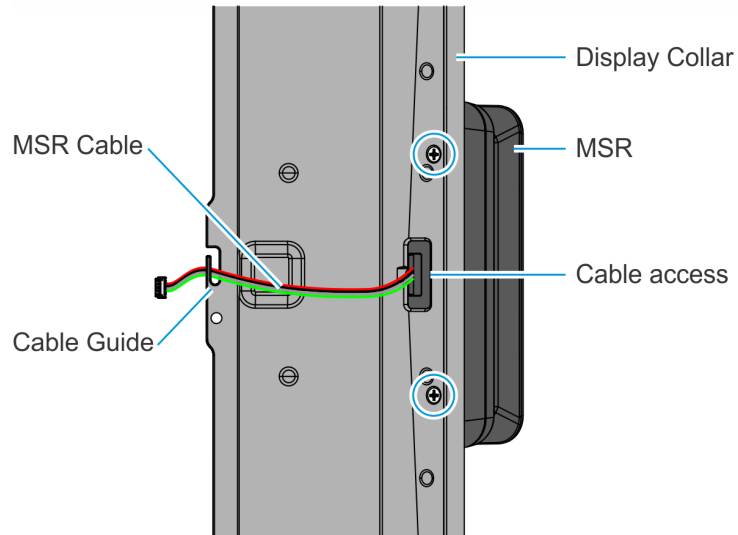
33850B

4. Remove the Blank Plate from Port A of the Display Collar. The plate is connected to the Display Collar with a strong adhesive. Use care when removing it to avoid damage to the Display Collar.



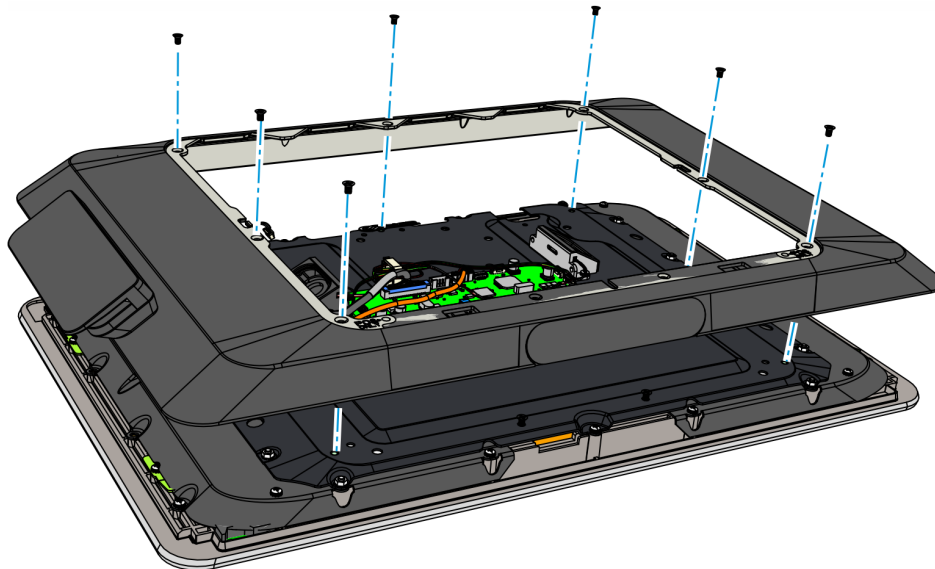
33851B

5. Mount the Magnetic Stripe Reader (MSR) on the Display Collar.
 - a. Route the MSR Cable through the cable access of the Display Collar.
 - b. Install the MSR on the Display Collar (2 screws included in the kit).
-  **Note:** Do not overtighten the screws.
- c. Route the MSR Cable through the Cable Guide on the Display Collar.



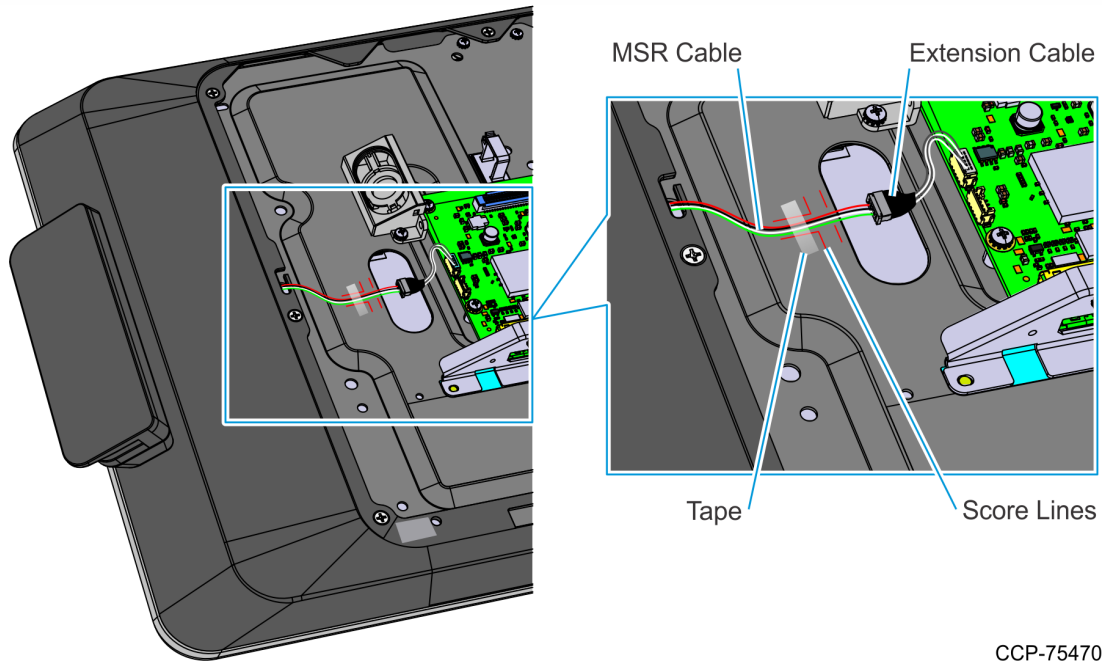
CCP-75469

6. Install the Display Collar on the terminal (7 screws).



33854B

7. Connect the MSR to the Motherboard.
 - a. Connect the MSR Cable to the Extension Cable.
 - b. Connect the Extension Cable to the Motherboard.
 - c. Tape the MSR Cable to the Display Sled between the score lines as shown below. This locates the cable so it does not get pinched when the Rear Cover is installed.



8. Reinstall the Rear Cover and Stand.

