

KIT INSTRUCTIONS

Checkstand Display Mount

5968-K039
Issue C



The product described in this book is a licensed product of NCR Corporation.

NCR is a registered trademark of NCR Corporation. NCR RealPOS is a trademark of NCR Corporation in the United States and/or other countries. Other product names mentioned in this publication may be trademarks or registered trademarks of their respective companies and are hereby acknowledged.

The terms HDMI and HDMI High-Definition Multimedia Interface, and the HDMI Logo are trademarks or registered trademarks of HDMI Licensing LLC in the United States and other countries.

Where creation of derivative works, modifications or copies of this NCR copyrighted documentation is permitted under the terms and conditions of an agreement you have with NCR, NCR's copyright notice must be included.

It is the policy of NCR Corporation (NCR) to improve products as new technology, components, software, and firmware become available. NCR, therefore, reserves the right to change specifications without prior notice.

All features, functions, and operations described herein may not be marketed by NCR in all parts of the world. In some instances, photographs are of equipment prototypes. Therefore, before using this document, consult with your NCR representative or NCR office for information that is applicable and current.

To maintain the quality of our publications, we need your comments on the accuracy, clarity, organization, and value of this book. Please use the link below to send your comments.

EMail: FD230036@ncr.com

Copyright © 2015, 2017

By NCR Corporation

Duluth, GA U.S.A.

All Rights Reserved

Revision Record

Issue	Date	Remarks
A	Oct 2015	First Issue
B	Feb 2017	Added screws for XL15 Display (5915)
C	July 2017	Added XL10 Display (5910)

Checkstand Display Mount

The Checkstand Display Mount is installed on a counter top to provide a fixed installation. It has vertical (height) and horizontal (reach) adjustments, as well as tilt and swivel.

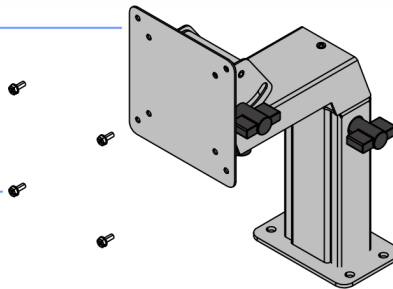
The kit can be used with the following displays:

- 5968 RealPOS X-Series Display
- 5985 RealPOS X-Series Display
- XL10 Display (5910)
- XL15 Display (5915)

Kit Contents

Checkstand Display Mount
497-0509476

Screw, M4 x 12,
Phillips, Pan Head
006-8622686

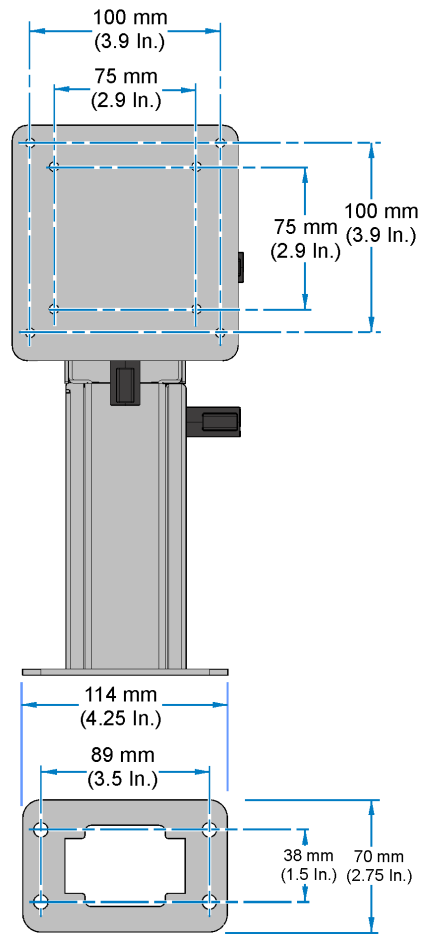


33940



Note: The screws in the kit are for XL Displays (5910/5915). For X-Series Displays (5968/5985), use screws included with the display.

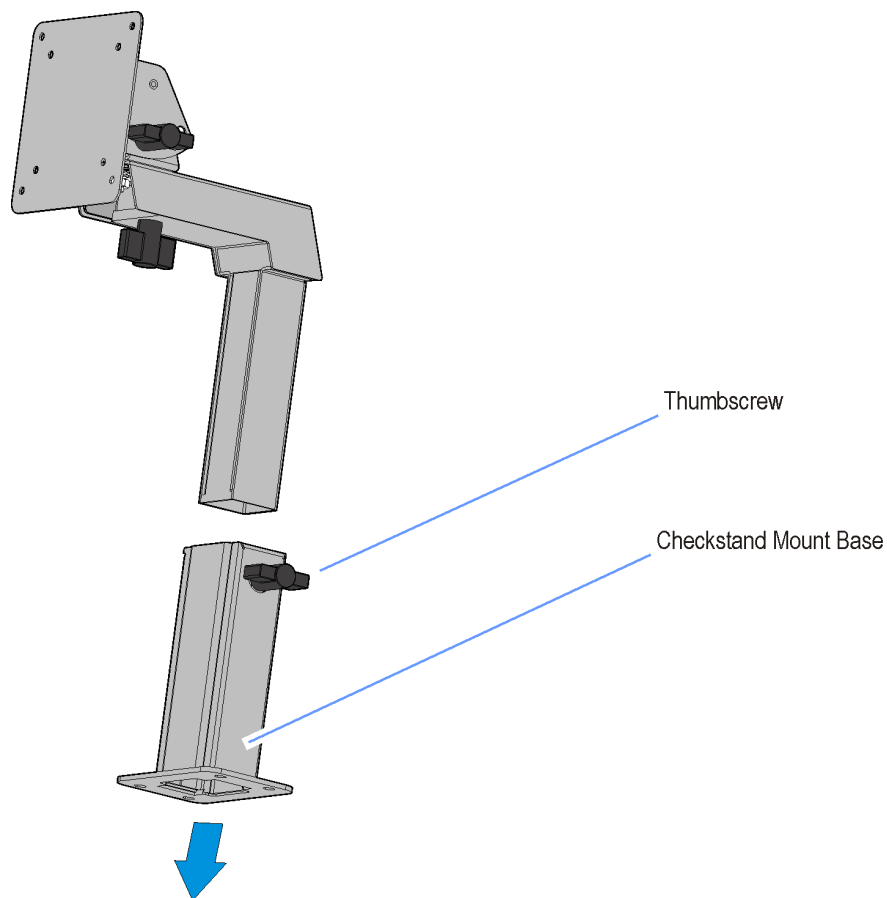
Plate Dimensions



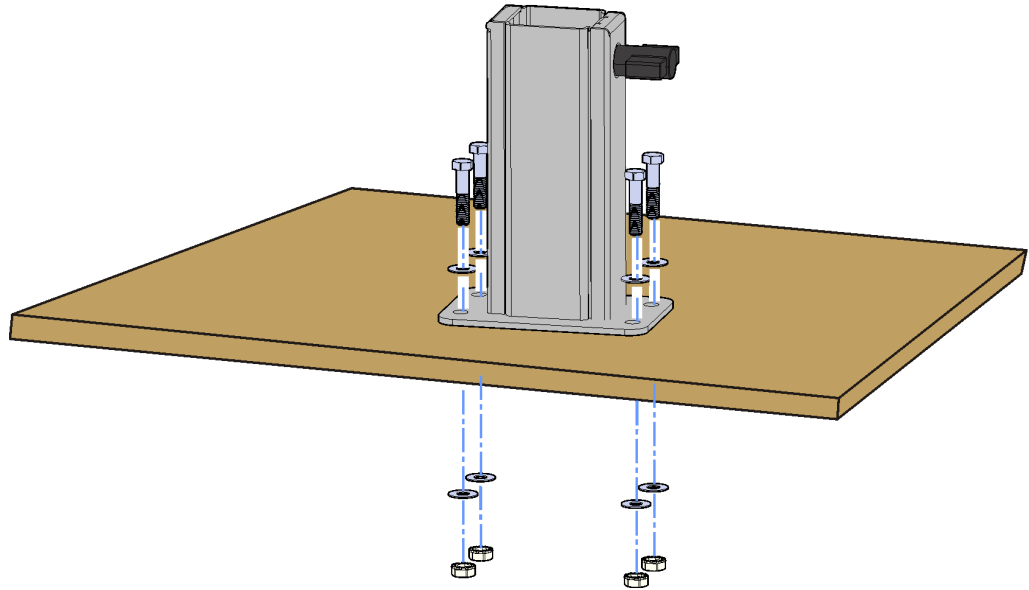
33941

Installation Procedure

1. Loosen the Thumbscrew and separate the upper and lower halves of the Checkstand Base.

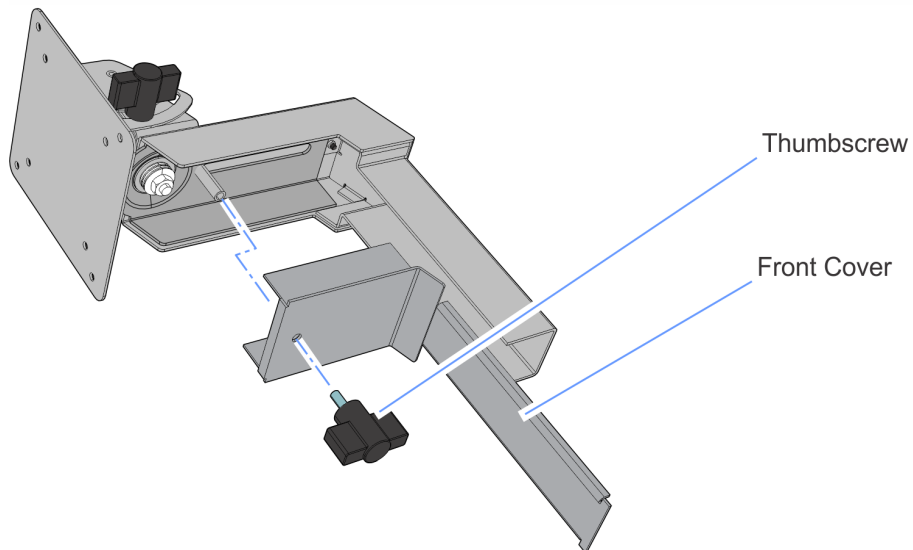


2. Drill four 6 mm (0.25 in.) holes for the mounting bolts and one 38 mm (1.5 in.) hole for the DynaKey cable(s) in the desired location on the countertop. Use the Checkstand Mount Base as a template for locating the holes.
3. Bolt the Checkstand Mount Base to the counter top.



33943

4. Remove the Thumbscrew and the Front Cover from the Checkstand Mount.

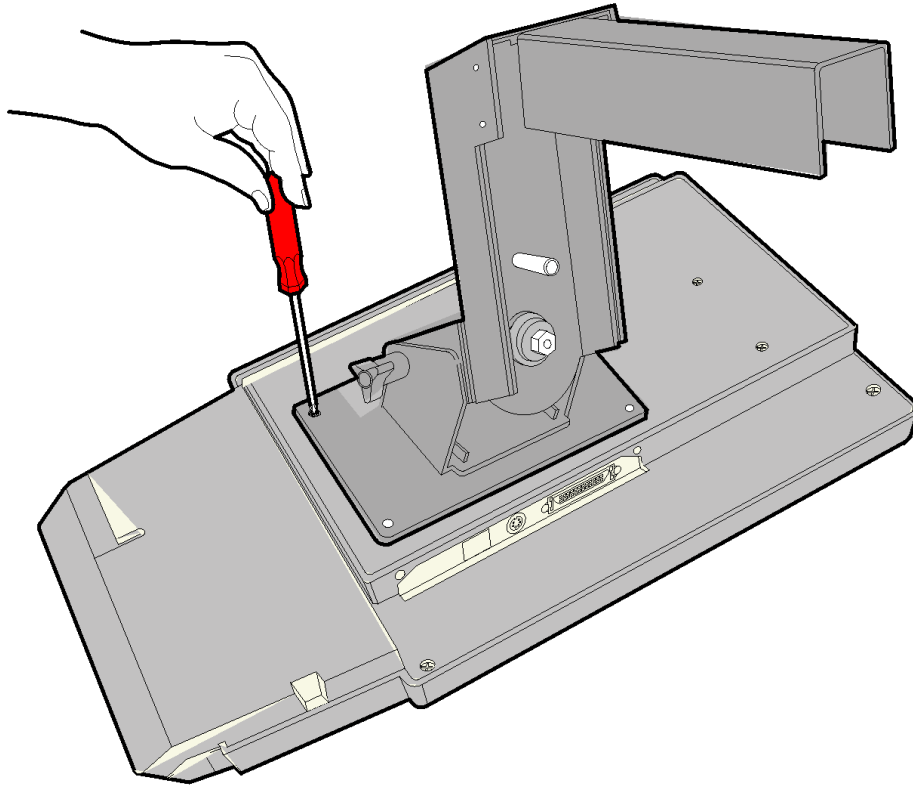


33944

5. Install the Checkstand Mount on the back of the display.



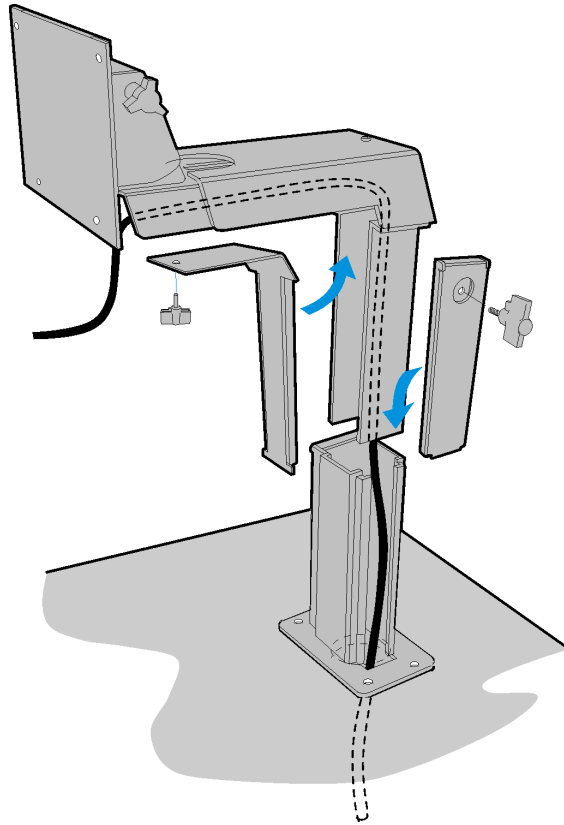
Note: For 5968/5985 RealPOS X-Series Displays, use the screws included with the display. For 5910/5915 XL Displays, use the screws included in the kit (006-8622686).



17323a

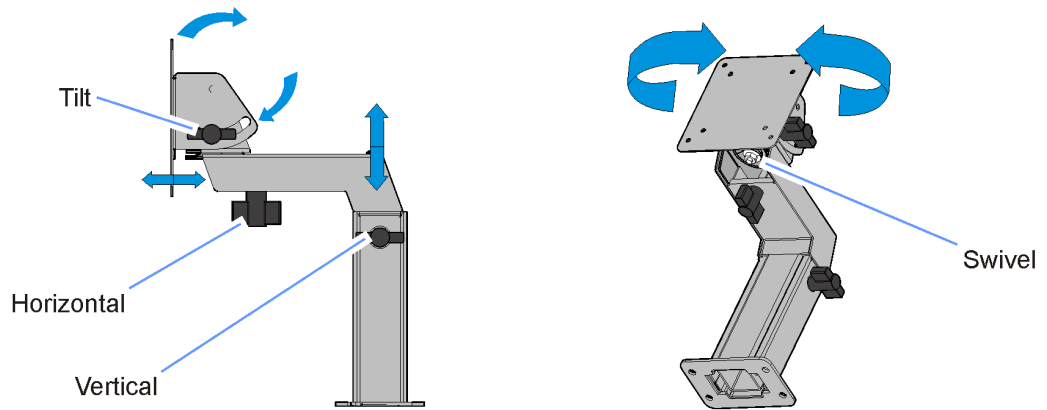
6. Connect the cable(s) to the display.
7. Route the cable(s) through the Checkstand Mount and down through the hole in the counter top. Leave enough slack in the cable(s) to permit easy tilting of the display.
8. Install the Front Cover and secure it with the Thumbscrew.

- Slide the Checkstand Mount onto the Checkstand Display Base.



17449a

- Adjust the vertical (height), horizontal (reach), tilt, and swivel adjustments for the display as desired.



33945