

KIT INSTRUCTIONS

Black Integration Tray Display Mount

5968-K024
Issue C



The product described in this book is a licensed product of NCR Corporation.

NCR is a registered trademark of NCR Corporation. NCR RealPOS is a trademark of NCR Corporation in the United States and/or other countries. Other product names mentioned in this publication may be trademarks or registered trademarks of their respective companies and are hereby acknowledged.

The terms HDMI and HDMI High-Definition Multimedia Interface, and the HDMI Logo are trademarks or registered trademarks of HDMI Licensing LLC in the United States and other countries.

Where creation of derivative works, modifications or copies of this NCR copyrighted documentation is permitted under the terms and conditions of an agreement you have with NCR, NCR's copyright notice must be included.

It is the policy of NCR Corporation (NCR) to improve products as new technology, components, software, and firmware become available. NCR, therefore, reserves the right to change specifications without prior notice.

All features, functions, and operations described herein may not be marketed by NCR in all parts of the world. In some instances, photographs are of equipment prototypes. Therefore, before using this document, consult with your NCR representative or NCR office for information that is applicable and current.

To maintain the quality of our publications, we need your comments on the accuracy, clarity, organization, and value of this book. Please use the link below to send your comments.

EMail: FD230036@ncr.com

Copyright © 2016-2017
By NCR Corporation
Duluth, GA U.S.A.
All Rights Reserved

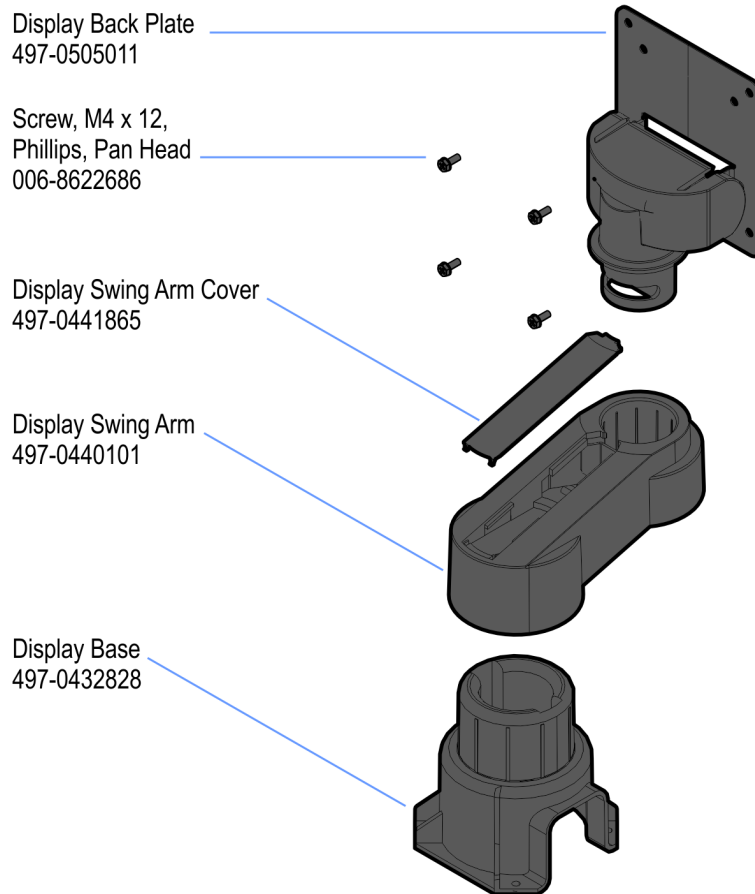
Revision Record

Issue	Date	Remarks
A	Dec 2016	First Issue
B	Feb 2017	Added screws for XL15 Display (5915)
C	July 2017	Added XL10 Display (5910)

Black Integration Tray Display Mount

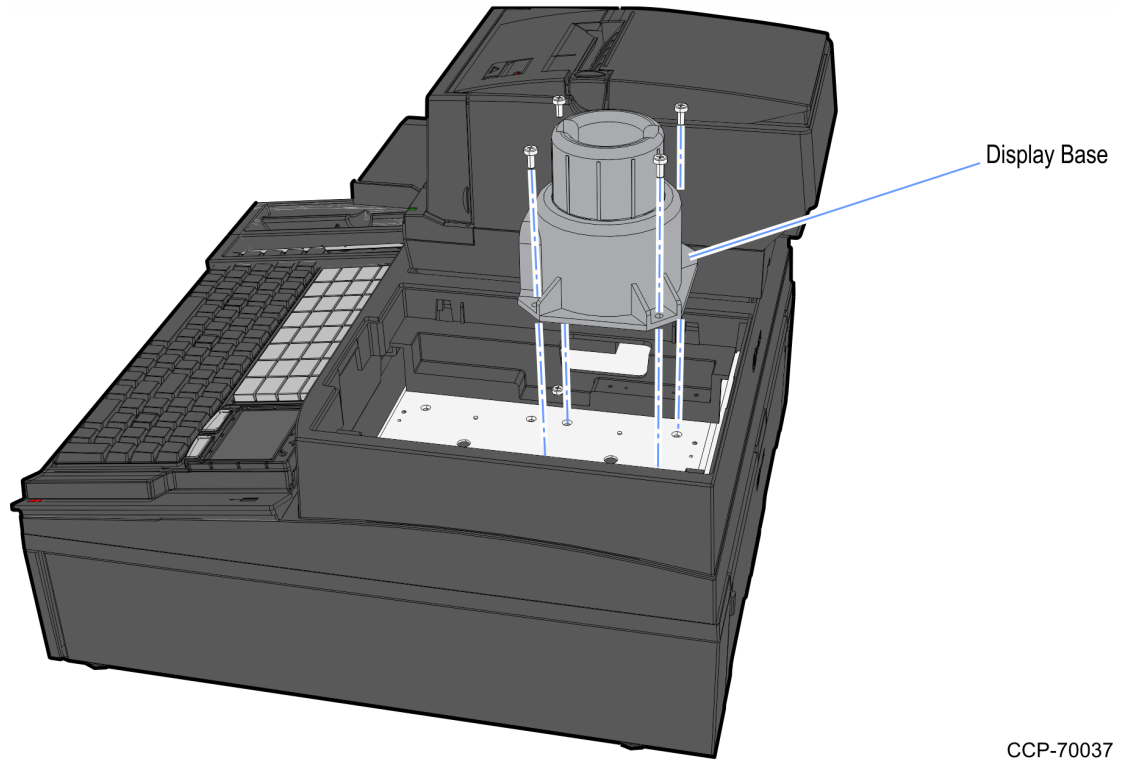
This kit provides a display mount for integrating the 5968/5985 RealPOS X-Series Display or the 5910/5915 XL Display on various NCR POS terminals.

Kit Contents



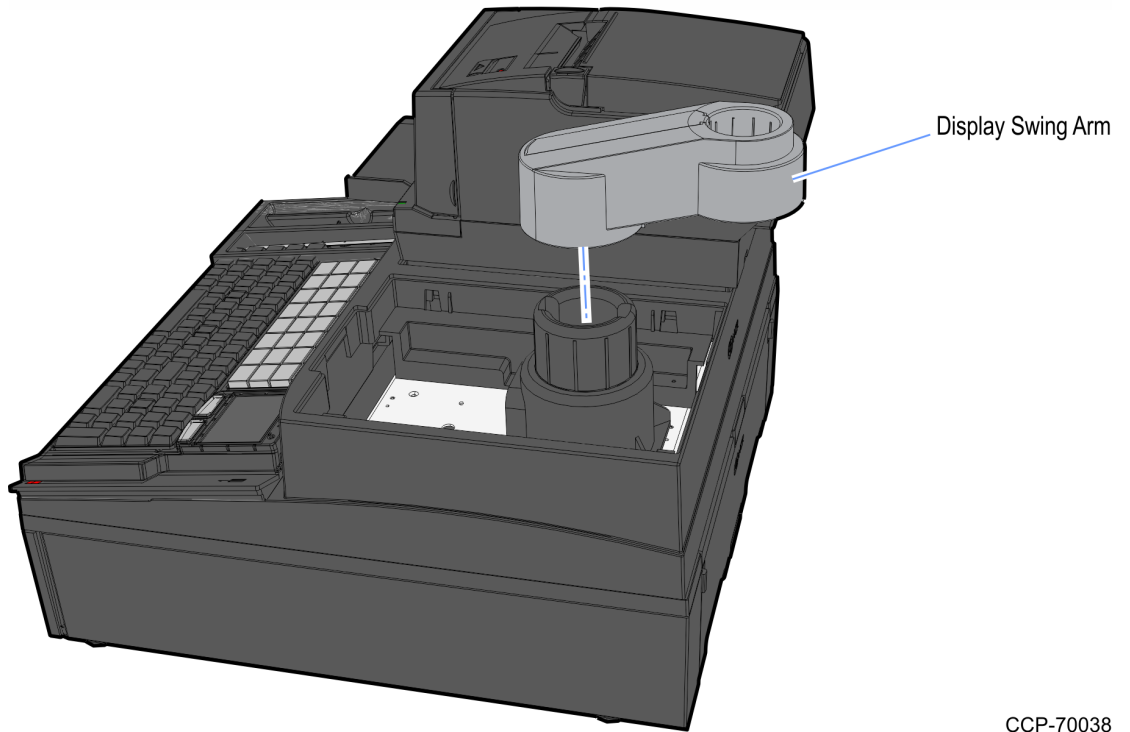
Installation Procedure

1. Secure the Display Base to the Tray Support Bracket of the Integration Tray (4 screws).



CCP-70037

2. Install the Display Swing Arm onto the Display Base.

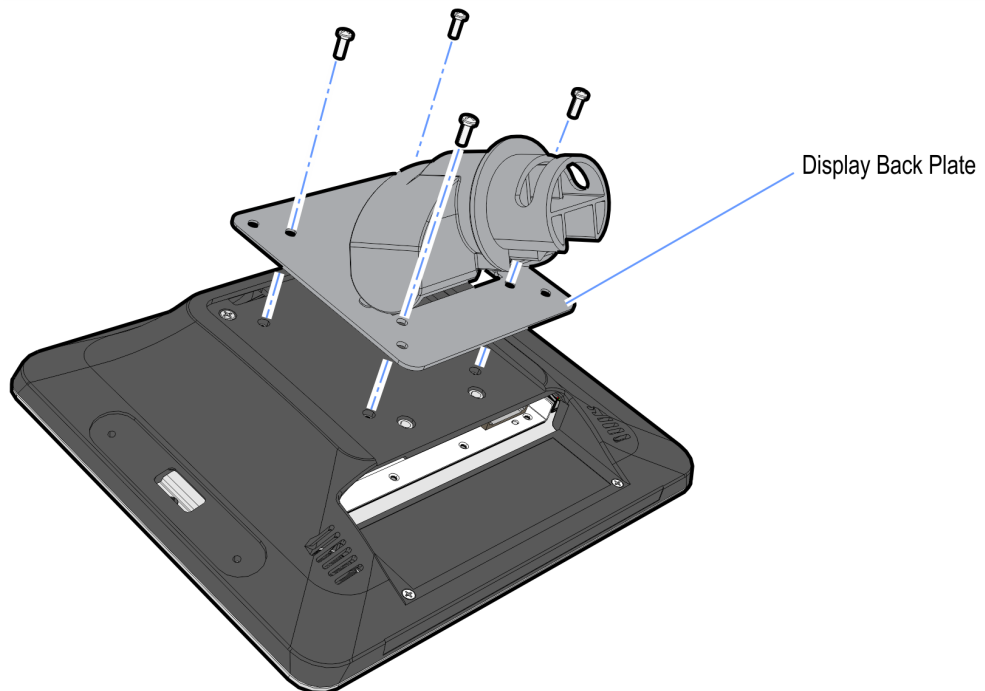


CCP-70038

3. Install the Display Back Plate onto the back of the display (4 screws).

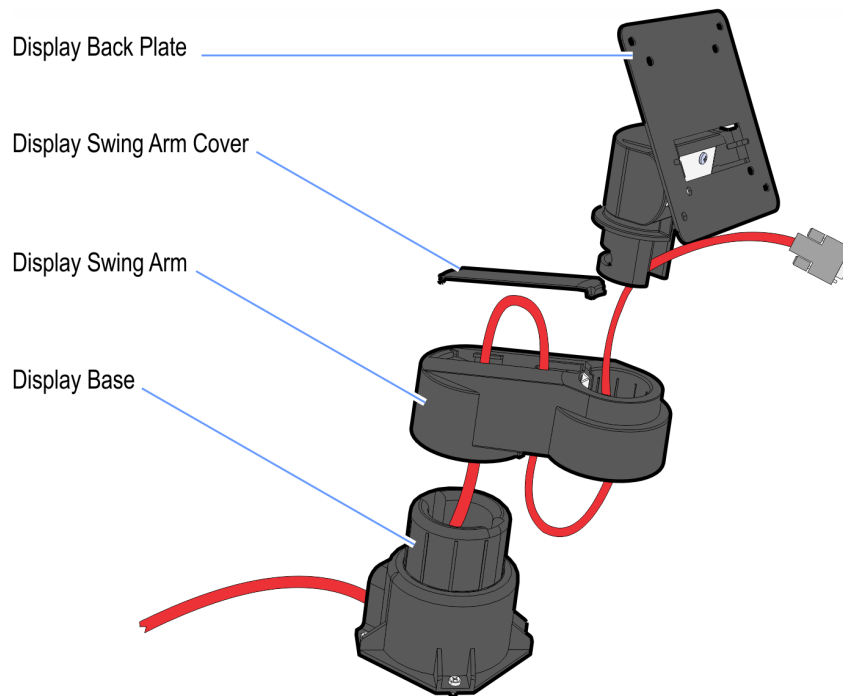


Note: For 5968/5985 RealPOS X-Series Displays, use the screws included with the display. For 5910/5915 XL Displays, use the screws included in the kit (006-8622686).



CCP-70039

4. Route the cable through the Display Mount as shown in the exploded view below.

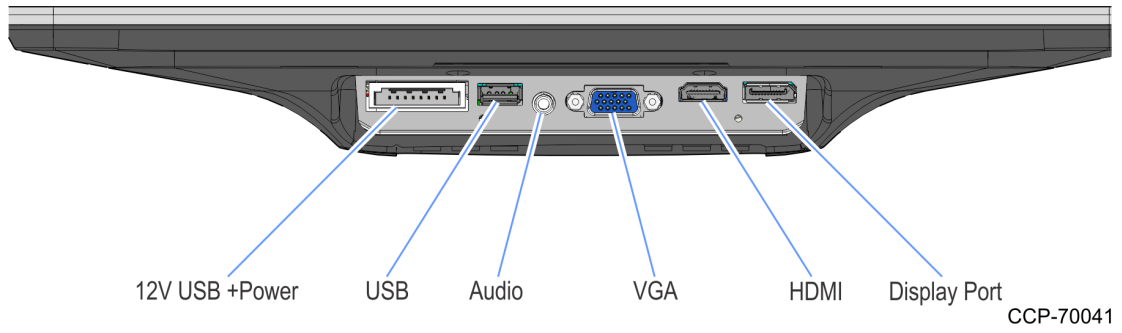


CCP-70040

5. Insert the Display Back Plate into the Display Swing Arm.
6. Remove the excess slack in the cable and then install the Display Swing Arm Cover onto the Display Swing Arm.

7. Connect the cable to the display.

5968/5985 RealPOS X-Series Display



5910/5915 XL Display

