

Kit Instructions

RFID



5916-K180
Issue A



The product described in this document is a licensed product of NCR Corporation.

NCR is a registered trademark of NCR Corporation. NCR RealPOS is a trademark of NCR Corporation in the United States and/or other countries. Other product names mentioned in this publication may be trademarks or registered trademarks of their respective companies and are hereby acknowledged.

The terms HDMI and HDMI High-Definition Multimedia Interface, and the HDMI Logo are trademarks or registered trademarks of HDMI Licensing LLC in the United States and other countries.

Where creation of derivative works, modifications or copies of this NCR copyrighted documentation is permitted under the terms and conditions of an agreement you have with NCR, NCR's copyright notice must be included.

It is the policy of NCR Corporation (NCR) to improve products as new technology, components, software, and firmware become available. NCR, therefore, reserves the right to change specifications without prior notice.

All features, functions, and operations described herein may not be marketed by NCR in all parts of the world. In some instances, photographs are of equipment prototypes. Therefore, before using this document, consult with your NCR representative or NCR office for information that is applicable and current.

To maintain the quality of our publications, we need your comments on the accuracy, clarity, organization, and value of this book. Please use the link below to send your comments.

Email: FD230036@ncr.com

Copyright © 2018
By NCR Corporation
Global Headquarters
864 Spring St NW
Atlanta, GA 30308
U.S.A.
All Rights Reserved

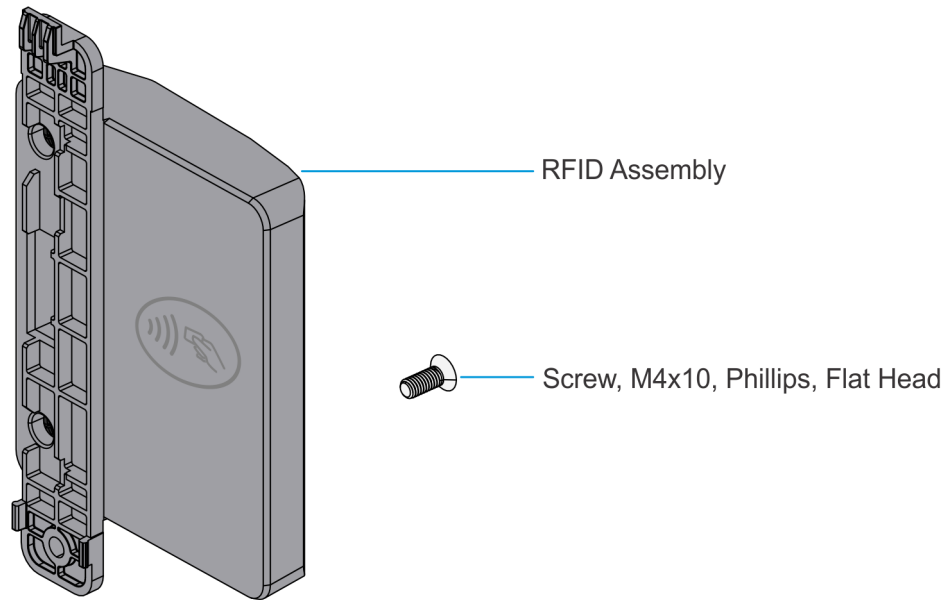
Revision Record

Issue	Date	Remarks
A	Dec 2018	First Issue

RFID

This kit provides a RFID for the XL15 Wide Display (5916).

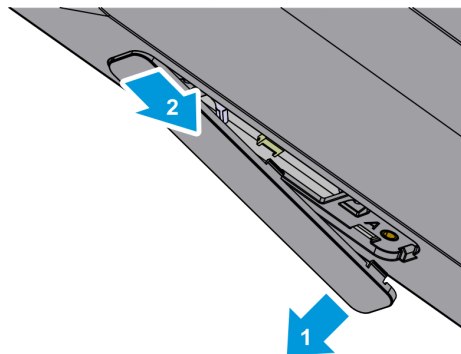
Kit Contents



CCP-74953

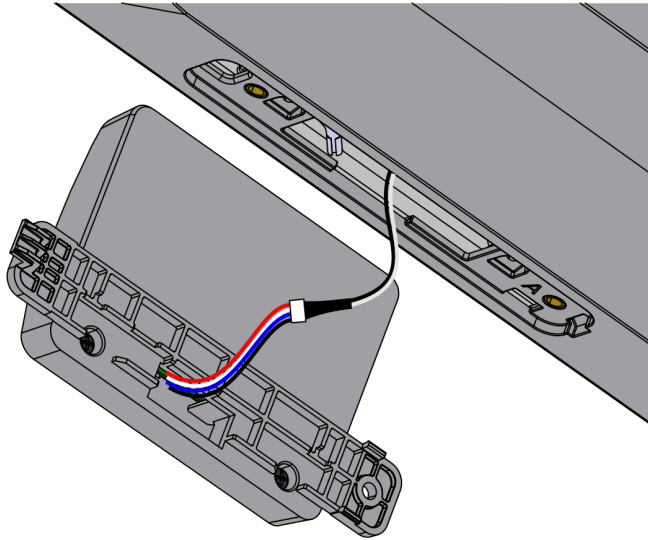
Installation Procedure

1. Remove the Blank Plate.
 - a. Detach the bottom side first using a flat screwdriver.
 - b. Unlatch the top side of the blank plate.



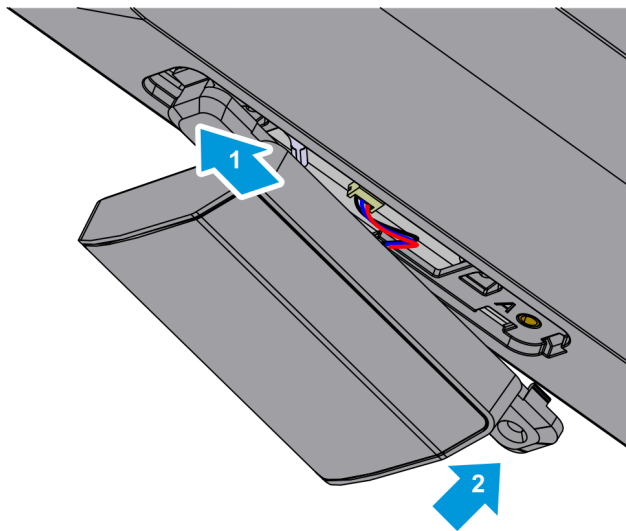
CCP-74954

2. Connect the RFID cable connector to the USB extension cable of the display.



CCP-74955

3. Tuck the excess cable into the Port recess then hook the RFID to the Back Housing and snap into place.



CCP-74956

4. Secure the RFID with a screw.

