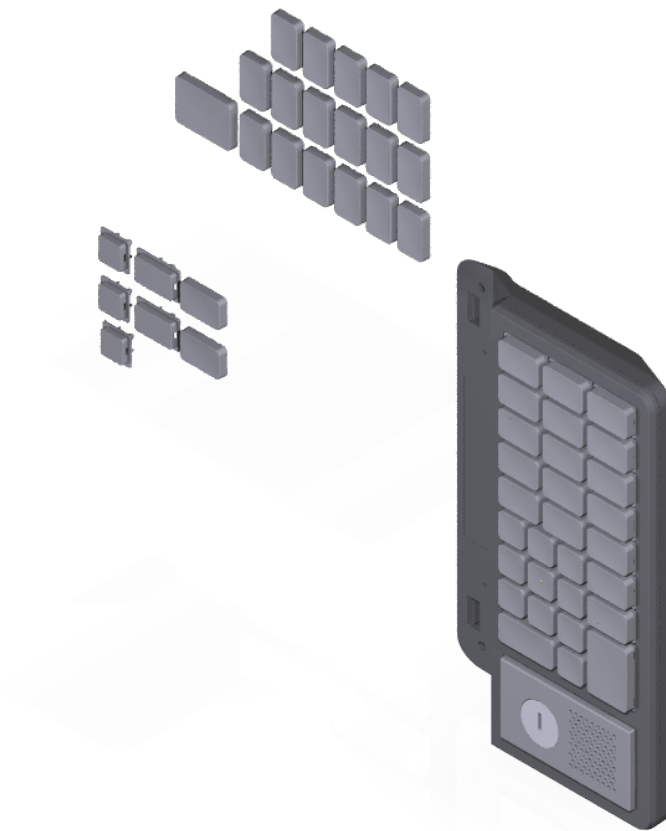


Installation Instructions

Enhanced Keypad with No MSR Filler Plate, Keylock



9700-0064/0065-5915
Issue B



The product described in this document is a licensed product of NCR Corporation.

NCR is a registered trademark of NCR Corporation. NCR RealPOS is a trademark of NCR Corporation in the United States and/or other countries. Other product names mentioned in this publication may be trademarks or registered trademarks of their respective companies and are hereby acknowledged.

The terms HDMI and HDMI High-Definition Multimedia Interface, and the HDMI Logo are trademarks or registered trademarks of HDMI Licensing LLC in the United States and other countries.

Where creation of derivative works, modifications or copies of this NCR copyrighted documentation is permitted under the terms and conditions of an agreement you have with NCR, NCR's copyright notice must be included.

It is the policy of NCR Corporation (NCR) to improve products as new technology, components, software, and firmware become available. NCR, therefore, reserves the right to change specifications without prior notice.

All features, functions, and operations described herein may not be marketed by NCR in all parts of the world. In some instances, photographs are of equipment prototypes. Therefore, before using this document, consult with your NCR representative or NCR office for information that is applicable and current.

To maintain the quality of our publications, we need your comments on the accuracy, clarity, organization, and value of this book. Please use the link below to send your comments.

Email: FD230036@ncr.com

Copyright © 2019–2021

By NCR Corporation

Global Headquarters

864 Spring St NW

Atlanta, GA 30308

U.S.A.

All Rights Reserved

Table of Contents

Enhanced Keypad with No MSR Filler Plate, Keylock

Contents	1
Procedure	2
Enhanced Keypad	2
Installing the Enhanced Keypad	2
Key Tip	4
Installing a Key Tip	4
Removing a Key Tip	4
Key Lens	5
Installing a Key Lens	5
Removing a Key Lens	5
MSR/JIS MSR	6
Installing the Enhanced Keypad MSR	6
Installing the Enhanced Keypad JIS MSR	9
Keypad Driver	14
Keypad Remap Utility	14

Revision Record

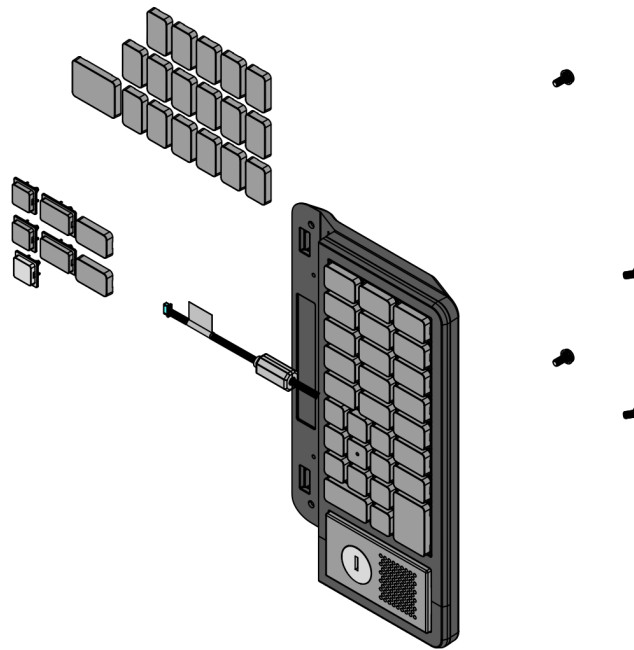
Issue	Date	Remarks
A	Oct 2019	First Issue
B	Apr 2021	Added installation procedures for MSR and JIS MSR

Enhanced Keypad with No MSR Filler Plate, Keylock

This provides an Enhanced Keypad (with No MSR Filler Plate and Keylock) for the XL15 Display (5915).

- 9700-0064-5915 — Enhanced Keypad with No MSR Filler Plate, Keylock, Black
- 9700-0065-5915 — Enhanced Keypad with No MSR Filler Plate, Keylock, White

Contents



CCP-77074

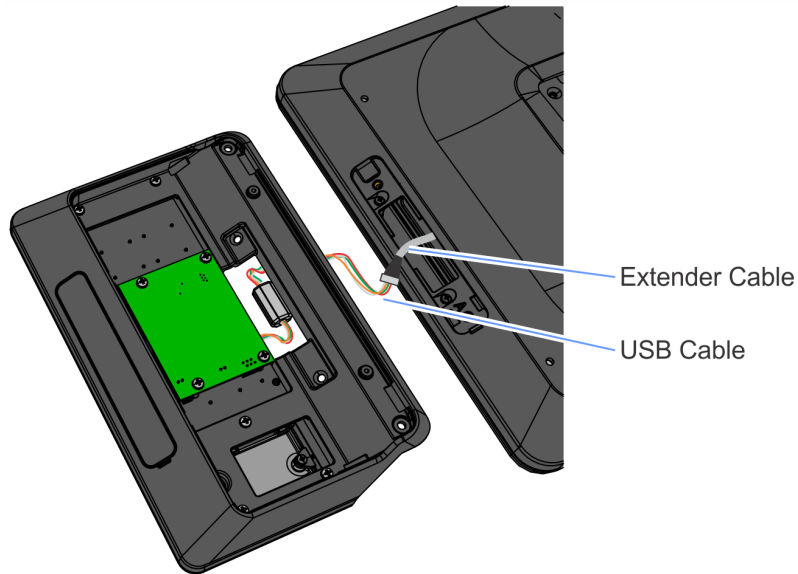
PID	Part Number	Description
9700-0064-5915	497-0526786	Enhanced Keypad with No MSR Filler Plate, Keylock, Black
9700-0065-5915	497-0526787	Enhanced Keypad with No MSR Filler Plate, Keylock, White

Procedure

Enhanced Keypad

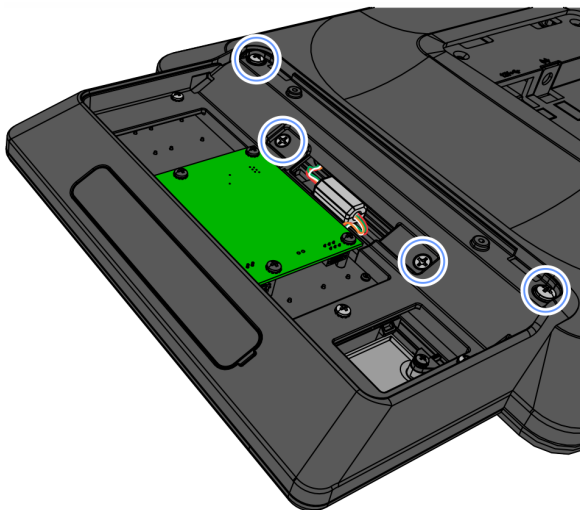
Installing the Enhanced Keypad

1. Connect the USB cable to the extender cable.



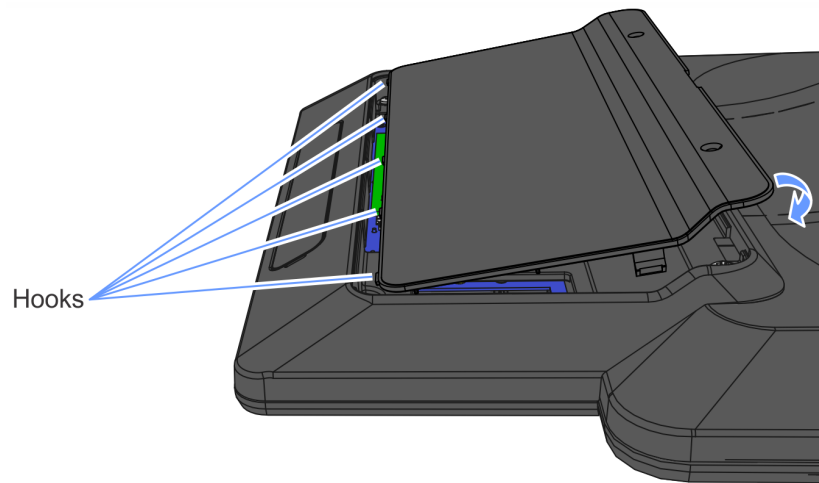
CCP-77037

2. Install the Enhanced Keypad on the Display (4 screws).



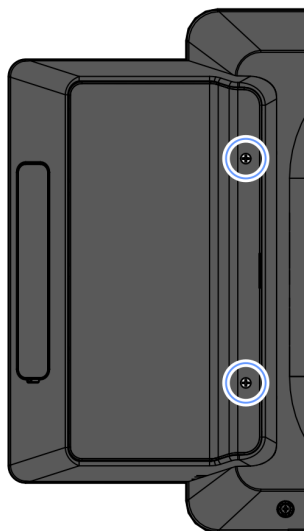
CCP-77036

3. Hook the Rear Cover to the Enhanced Keypad and snap into place.



CCP-77035

4. Secure the Rear Cover with two (2) screws.



CCP-77033

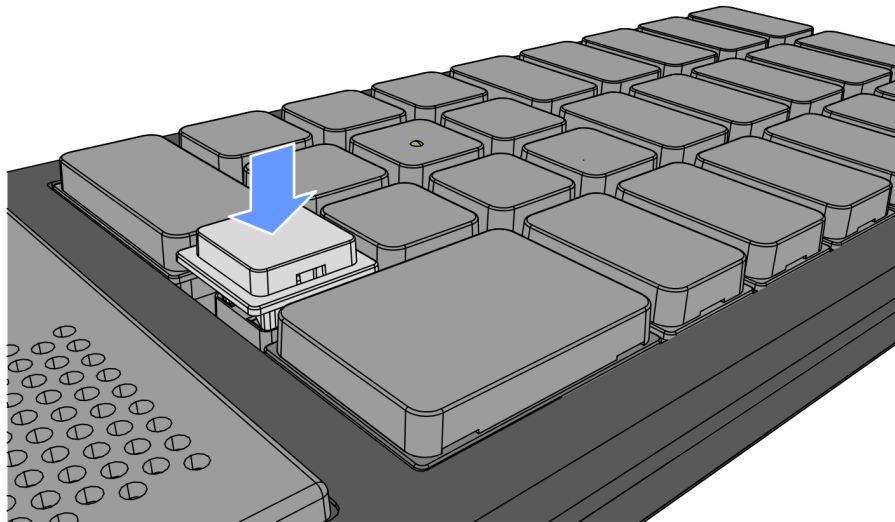
Key Tip

Installing a Key Tip

Place the Key Tip over its position on the keyboard and press the key until it snaps into place.



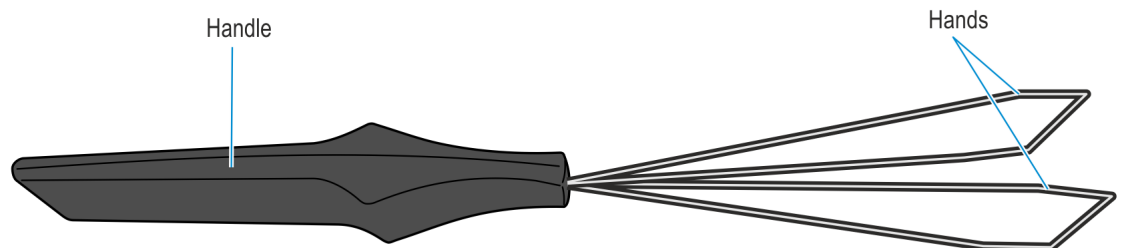
Note: For 1x1 Key Tips, the indentations must always be on the left and right sides.



CCP-77052

Removing a Key Tip

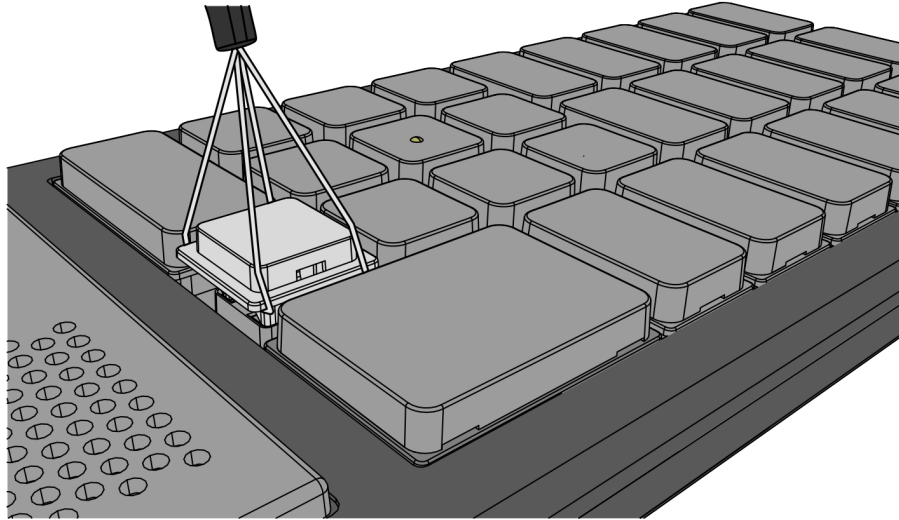
Use a Key Removal Tool to remove a Key Tip from the keyboard.



Key Tip Removal Tool

CCP-73158

Insert the hands of the removal tool under each side of the Key Tip and carefully pull the tool upward until the Key Tip pops off its retainer clips.



CCP-77053

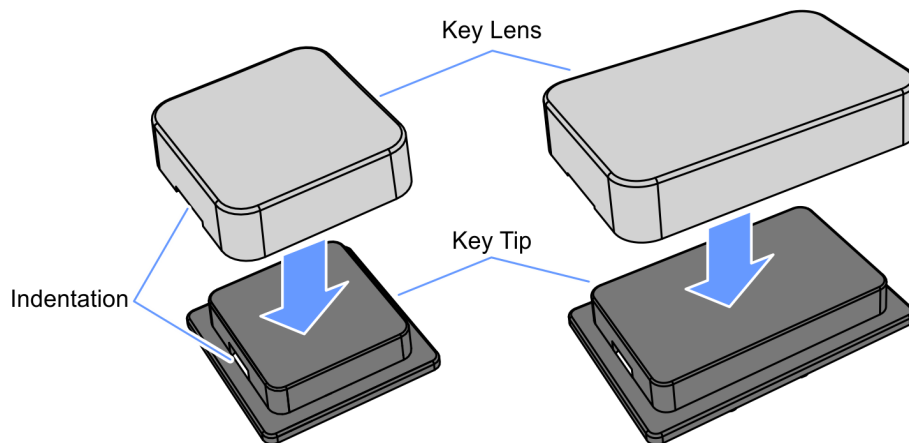
Key Lens

Installing a Key Lens

Position the Key Lens over the Key Tip and then gently press the lens until it snaps and locks into place.



Note: The snaps on the lens must be aligned with the indentations on the Key Tip.



CCP-77051

Removing a Key Lens

To remove a Key Lens, slide any thin object under the corner of the Key Lens and gently pop it off the Key Tip.

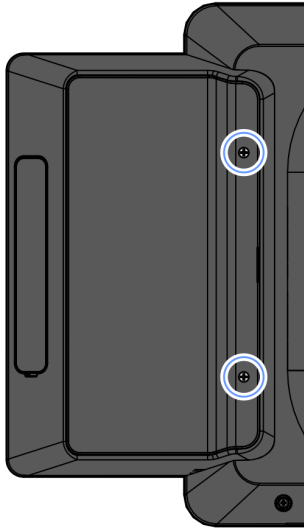
MSR/JIS MSR

An MSR or JIS MSR can be installed on the Enhanced Keypad.

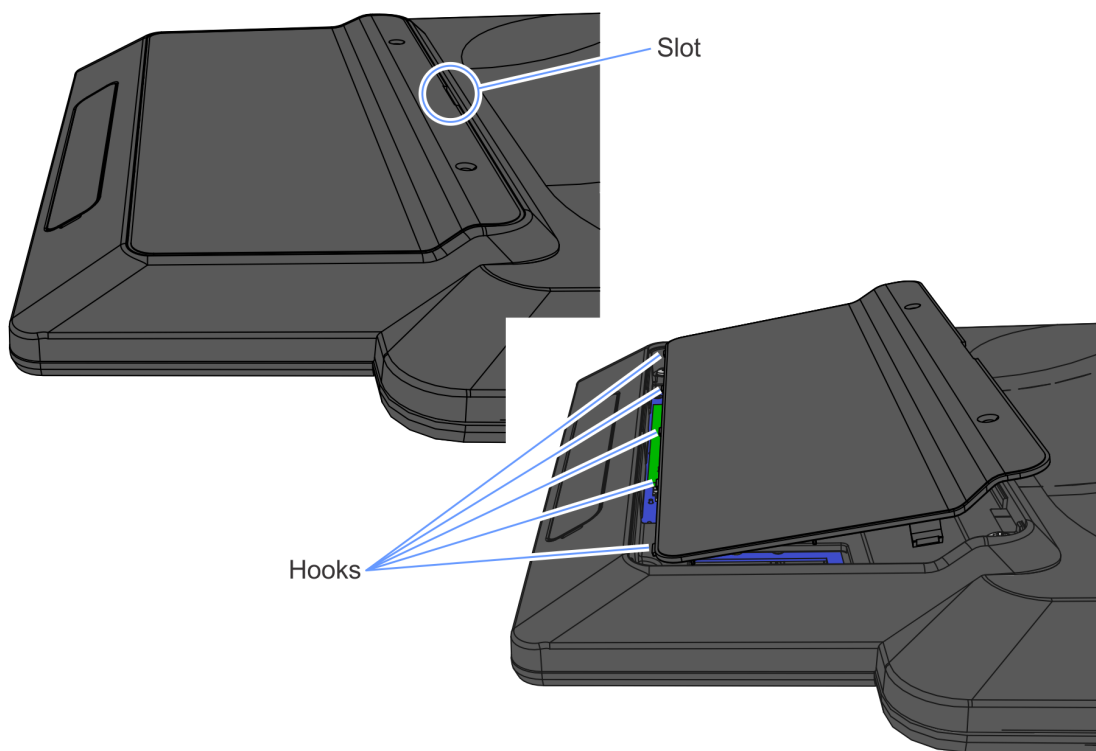
- [Installing the Enhanced Keypad MSR](#) below
- [Installing the Enhanced Keypad JIS MSR](#) on page 9

Installing the Enhanced Keypad MSR

1. Remove the two (2) screws securing the Rear Cover to the Enhanced Keypad.

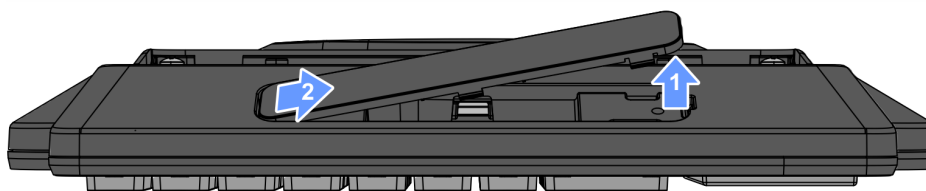


2. Insert a flat screw driver in the slot to unsnap the Rear Cover, then unhook the Rear Cover from the Keypad housing.



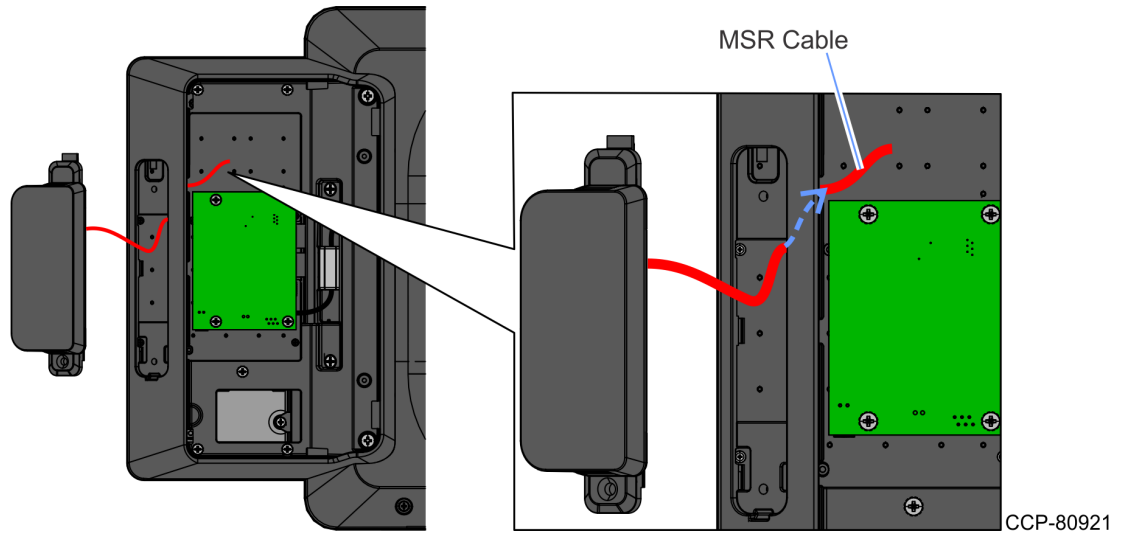
CCP-77034

3. Use a screw driver to unlatch the recessed side of the Filler Plate and then slightly pull the Filler Plate to unhook from the Enhanced Keypad.

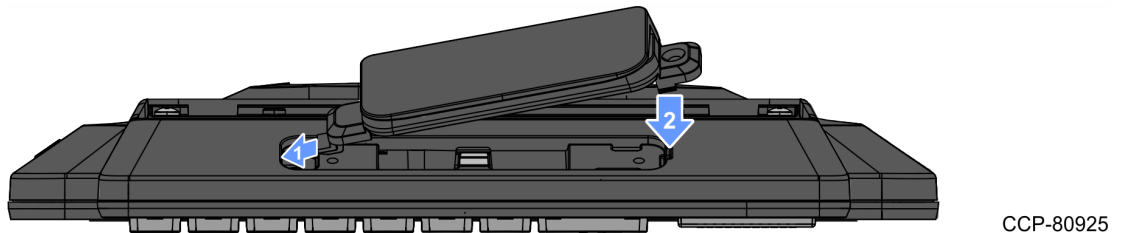


CCP-80910

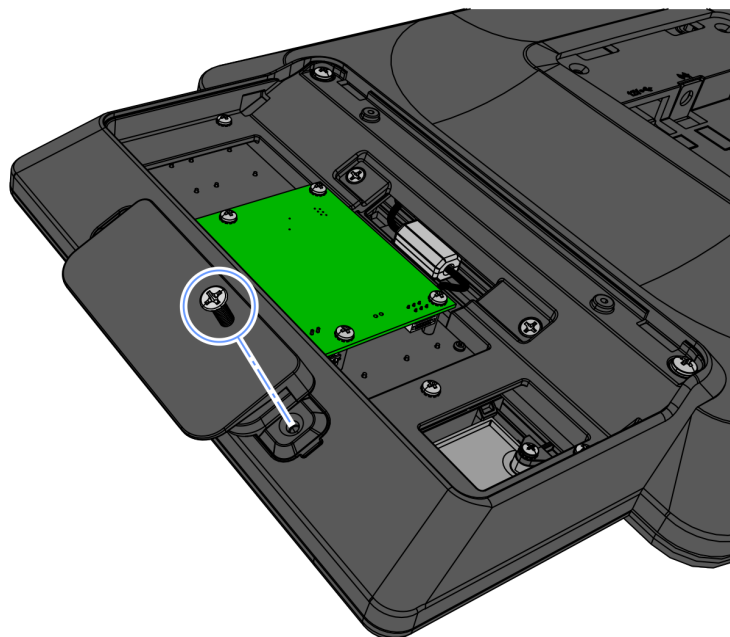
4. Route the MSR Cable through the opening as shown.



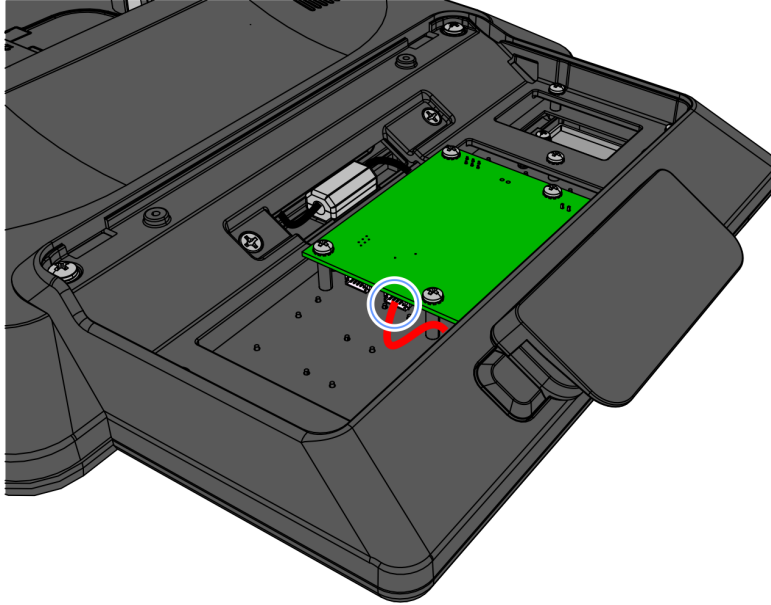
5. Insert the hook of the MSR into the rectangular hole on the Enhanced Keypad and press the other end to mount the MSR. Make sure the cable does not get pinched.



6. Secure the MSR to the Enhanced Keypad with a screw.



7. Connect the MSR Cable to the PCBA.

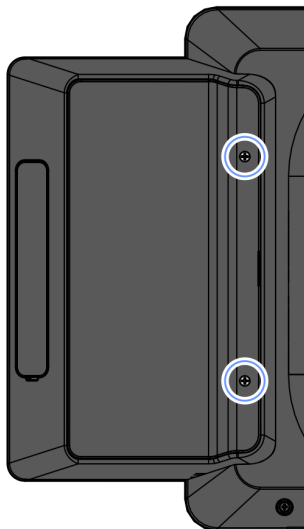


CCP-80922

8. Reinstall the Rear Cover of the Enhanced Keypad securing it in place with the two (2) screws removed in step 1.

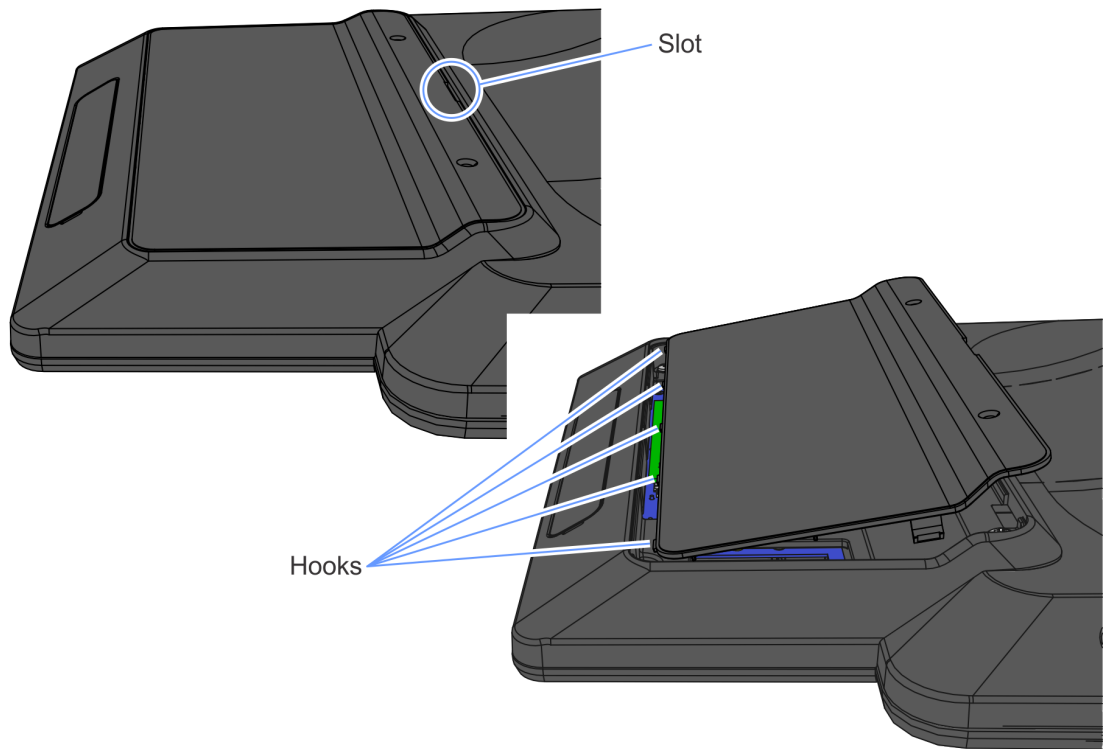
Installing the Enhanced Keypad JIS MSR

1. Remove the two (2) screws securing the Rear Cover to the Enhanced Keypad.



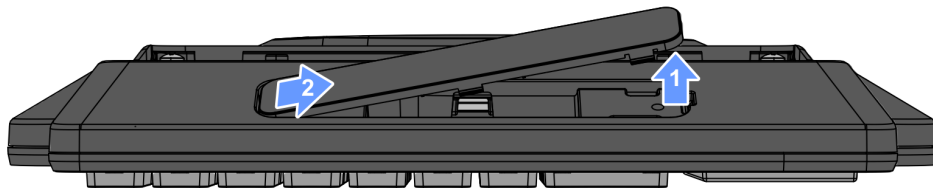
CCP-77033

2. Insert a flat screw driver in the slot to unsnap the Rear Cover, then unhook the Rear Cover from the Keypad housing.



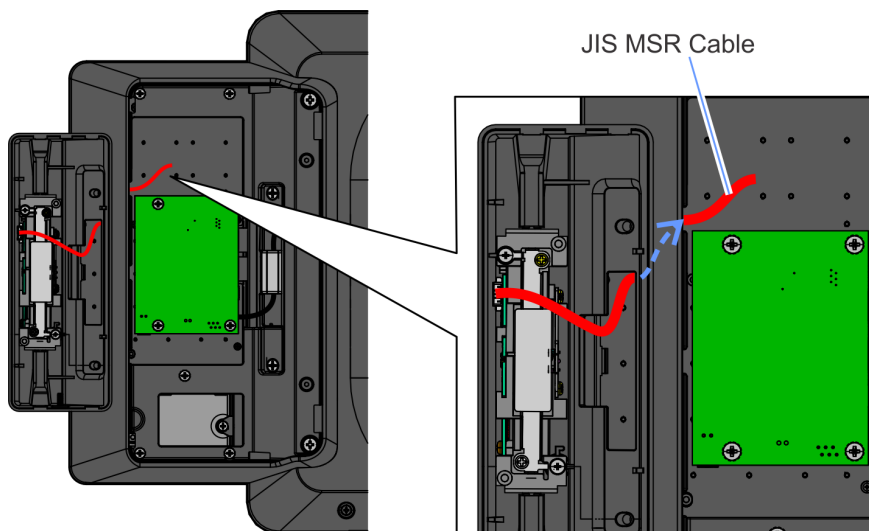
CCP-77034

3. Use a screw driver to unlatch the recessed side of the Filler Plate and then slightly pull the Filler Plate to unhook from the Enhanced Keypad.



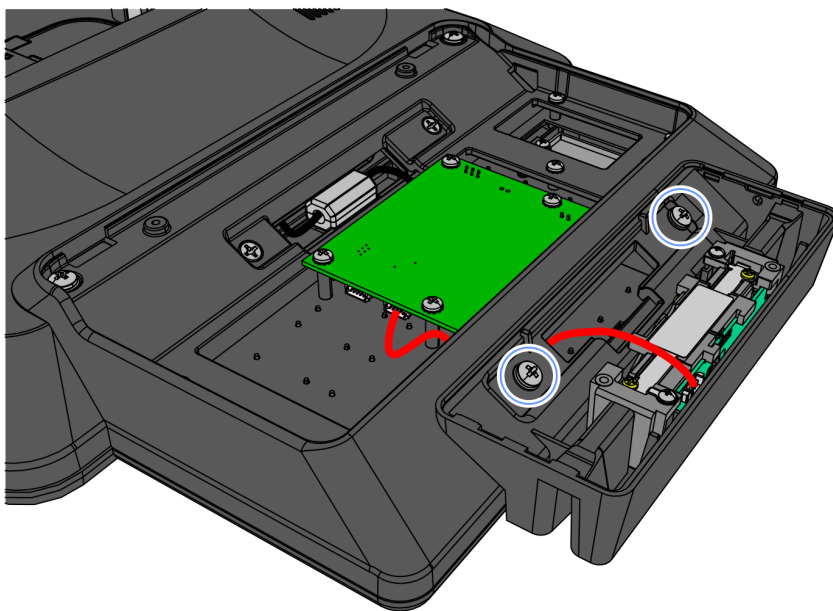
CCP-80910

4. Route the JIS MSR Cable through the opening as shown.



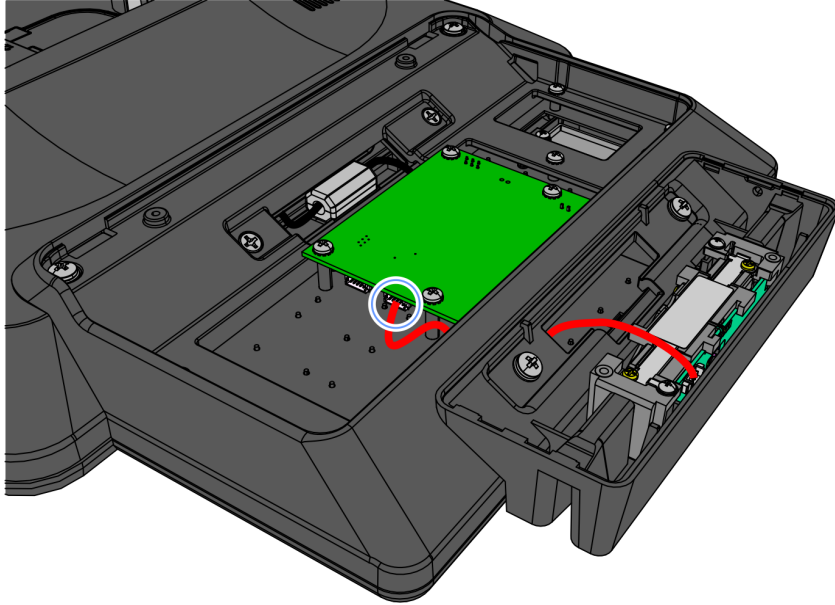
CCP-80920

5. Install the JIS MSR Front Cabinet on the Enhanced Keypad (2 screws).



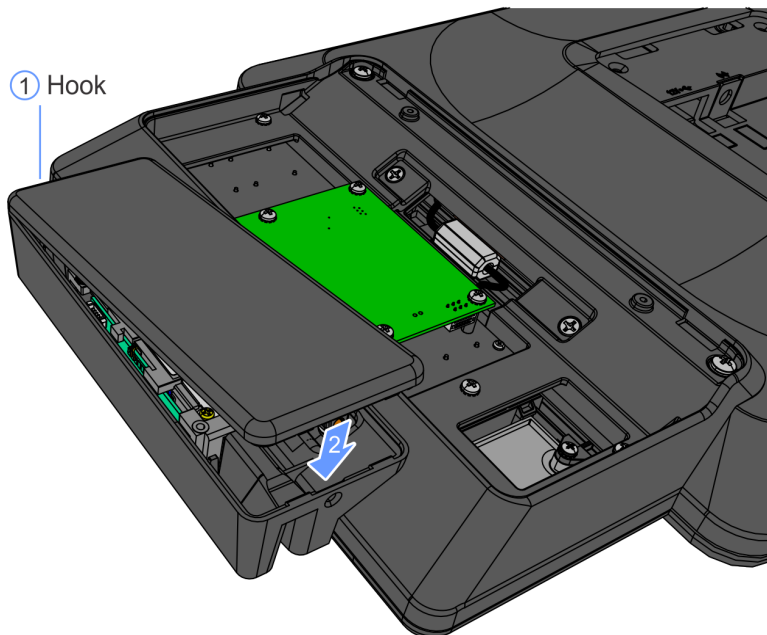
CCP-80915

6. Connect the JIS MSR Cable to the PCBA.



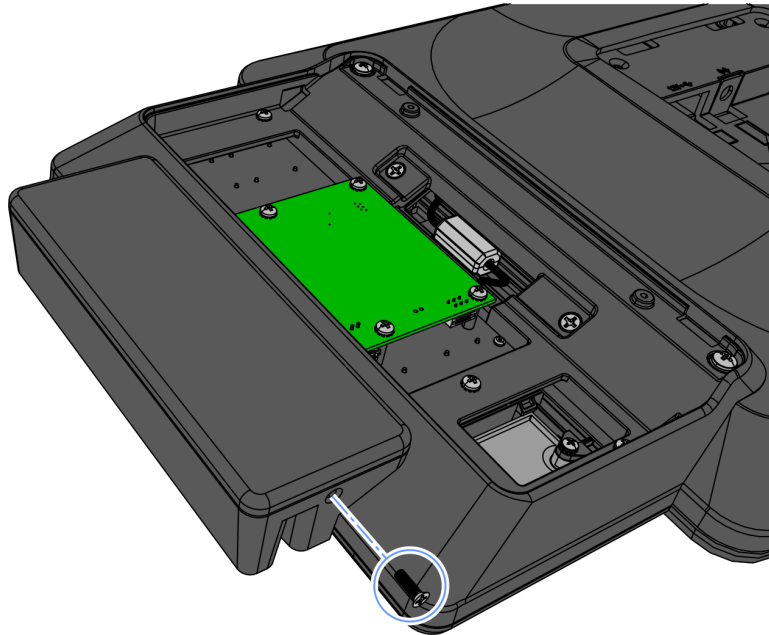
CCP-80914

7. Hook the JIS MSR Rear Cabinet into the Front Cabinet and pivot to close.



CCP-80913

8. Secure with a screw.



CCP-80911

9. Reinstall the Rear Cover of the Enhanced Keypad securing it in place with the two (2) screws removed in step 1.

Keypad Driver

The NCR USB Utilities package for the Enhanced Keypad module is located in the following location:

http://www5.ncr.com/support/support_drivers_patches.asp?Class=External/Peripherals\Display\5915\display

Refer to the Readme document for the driver installation instructions.

Keypad Remap Utility

The NCR POS Keyboard Remap Utility provides a graphical user interface for keyboard remapping for the following:

- 5932 Keyboards
- 5953 Dynakeys
- 5954 Dynakeys
- X-Series Dynakeys
- Enhanced Keypads

The utility is located in the following location:

http://www5.ncr.com/support/support_drivers_patches.asp?Class=External/NCRKeyboard\Remap\display

Refer to the Readme document for the utility installation procedure.