

Kit Instructions

5977 2x20 Display on XL Stand



5915-K450
Issue A



The product described in this document is a licensed product of NCR Corporation.

NCR is a registered trademark of NCR Corporation. NCR RealPOS is a trademark of NCR Corporation in the United States and/or other countries. Other product names mentioned in this publication may be trademarks or registered trademarks of their respective companies and are hereby acknowledged.

The terms HDMI and HDMI High-Definition Multimedia Interface, and the HDMI Logo are trademarks or registered trademarks of HDMI Licensing LLC in the United States and other countries.

Where creation of derivative works, modifications or copies of this NCR copyrighted documentation is permitted under the terms and conditions of an agreement you have with NCR, NCR's copyright notice must be included.

It is the policy of NCR Corporation (NCR) to improve products as new technology, components, software, and firmware become available. NCR, therefore, reserves the right to change specifications without prior notice.

All features, functions, and operations described herein may not be marketed by NCR in all parts of the world. In some instances, photographs are of equipment prototypes. Therefore, before using this document, consult with your NCR representative or NCR office for information that is applicable and current.

To maintain the quality of our publications, we need your comments on the accuracy, clarity, organization, and value of this book. Please use the link below to send your comments.

Email: FD230036@ncr.com

Copyright © 2017
By NCR Corporation
Duluth, GA U.S.A.
All Rights Reserved

Revision Record

Issue	Date	Remarks
A	Dec 2017	First Issue

5977 2x20 Display on XL Stand

This kit provides the components to add a 5977 2x20 Customer Display to the neck of the XL Stand (5915-K033).

Kit Contents

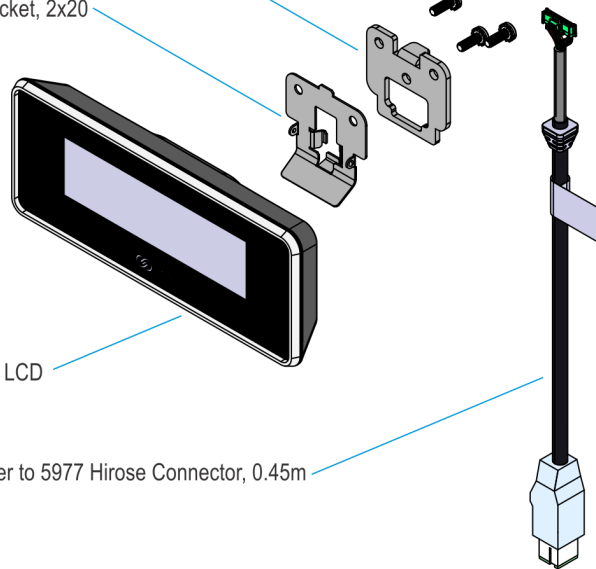
Screw, SEMS, M4x12, Pan Head, Phillips
006-8622686

Bracket, 2x20 Customer Display, XL
497-0512612

Cable Management Bracket, 2x20
445-0744459

Customer Display, 2x20 LCD
497-0503443

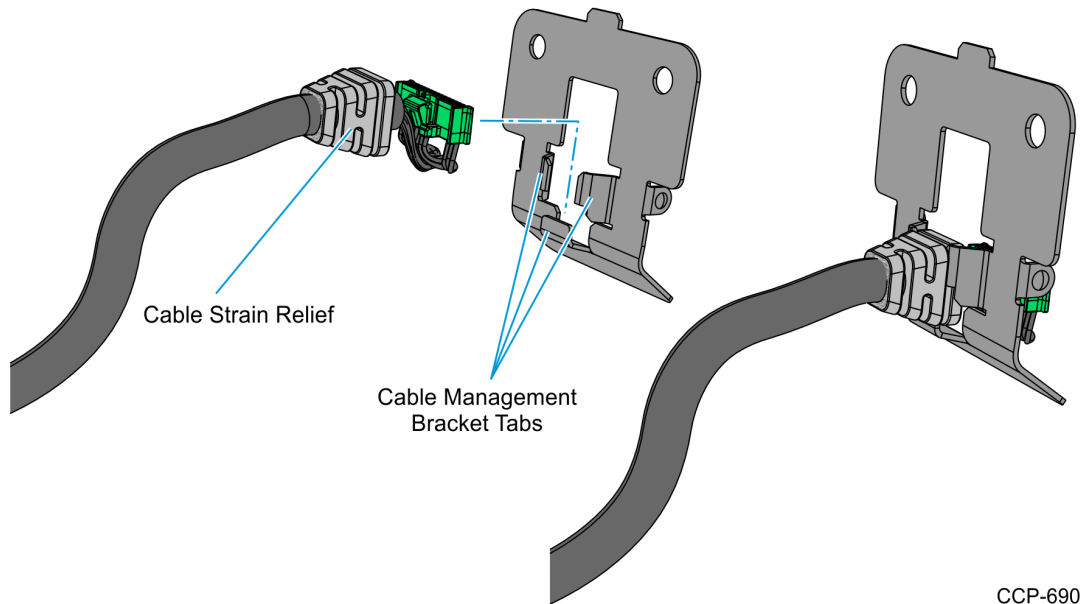
Cable, +12V USB+Power to 5977 Hirose Connector, 0.45m
497-0514185



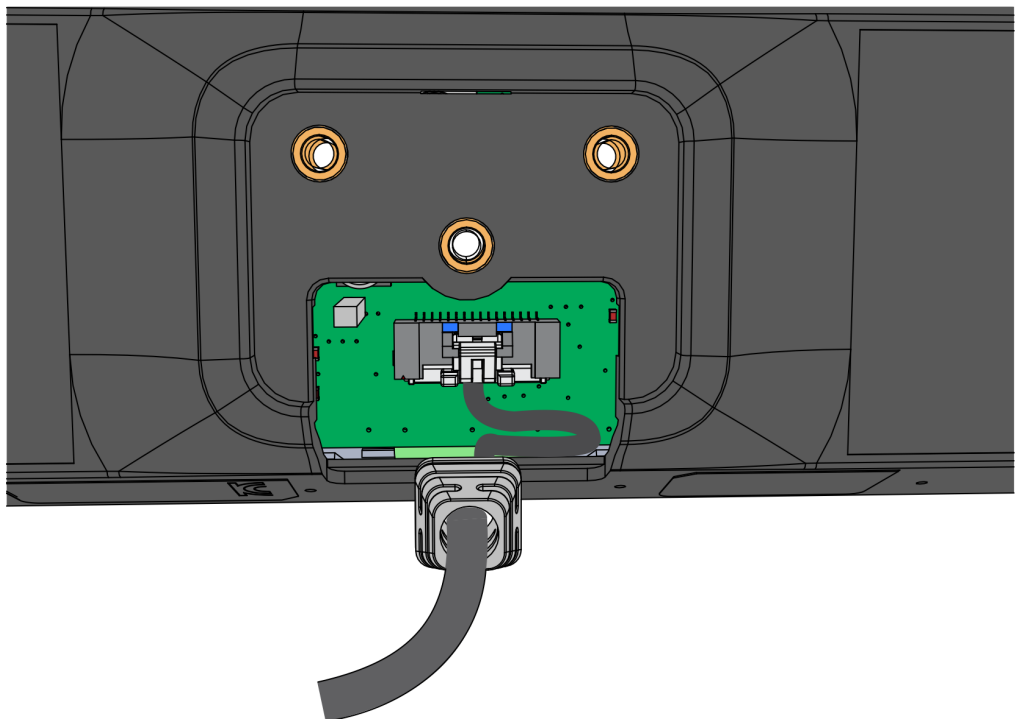
CCP-72923

Installation Procedure

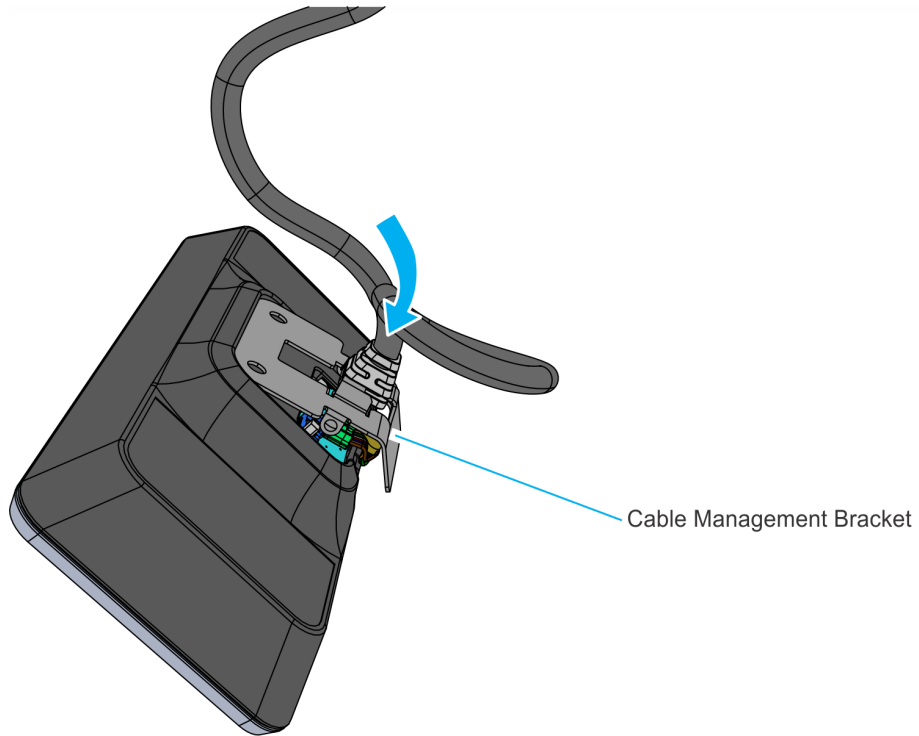
1. Mount the Cable Strain Relief to the Cable Management Bracket.



2. Connect the USB Cable to the Customer Display. Note the cable routing (Cable Management Bracket removed for clarity).

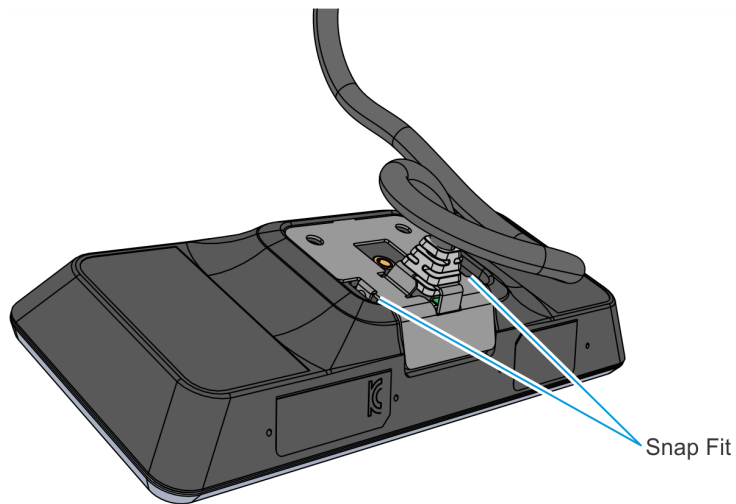


3. Insert the tab on the edge of the Cable Management Bracket into the slot in the Rear Cover of the Customer Display.



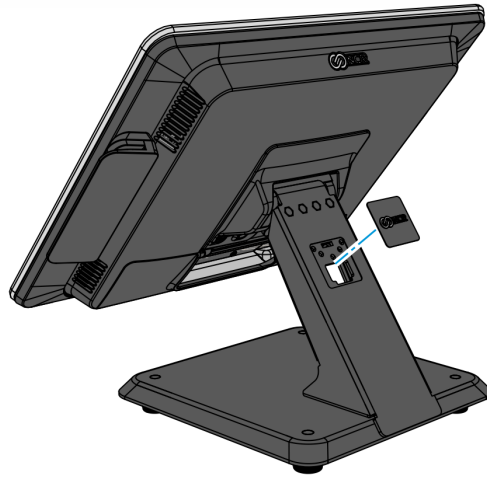
32893

4. Pivot the Cable Management Bracket until it snaps into position.



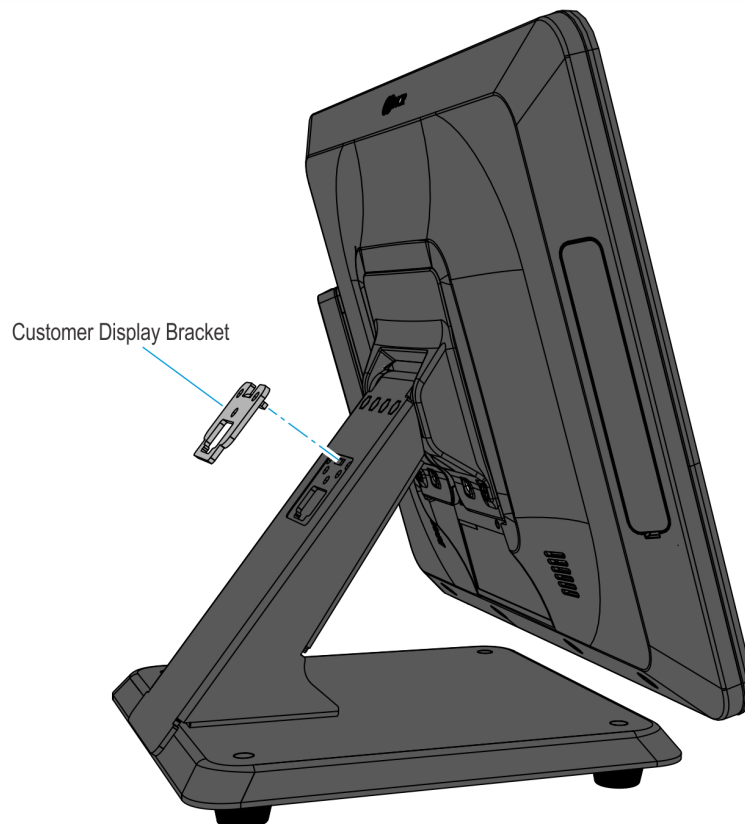
33337

5. Remove the NCR Logo Badge from the XL Stand. The badge is mounted to the stand with adhesive. Use care when removing the badge.



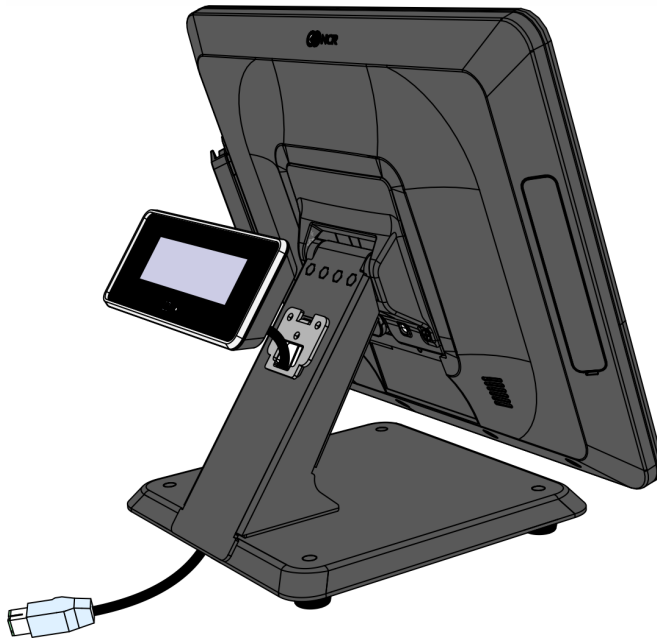
CCP-72371

6. Mount the Customer Display Bracket on the neck of the XL Stand. The tab on the Customer Display Bracket fits through the rectangular hole on the neck.



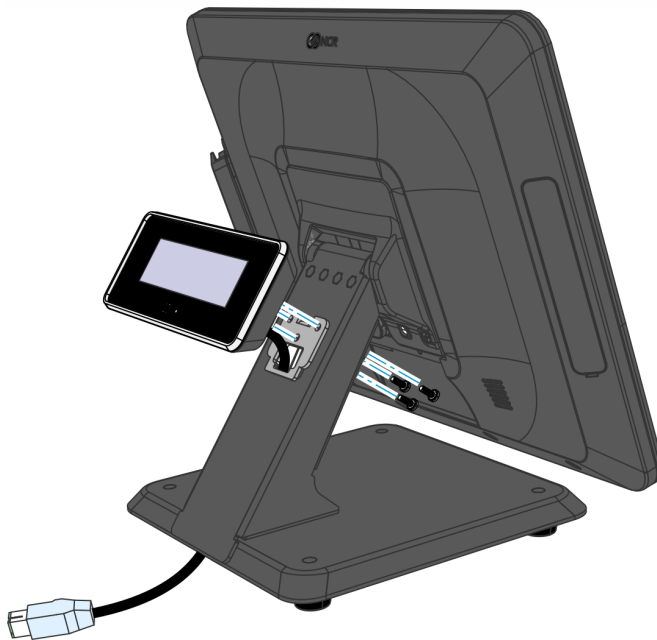
CCP-72924

7. Route the Cable through the Customer Display Bracket and down the neck of the XL Stand.



CCP-72925

8. Secure the Customer Display from the inside of the stand with (3) screws.



CCP-72926

9. Connect the cable to the host terminal.

