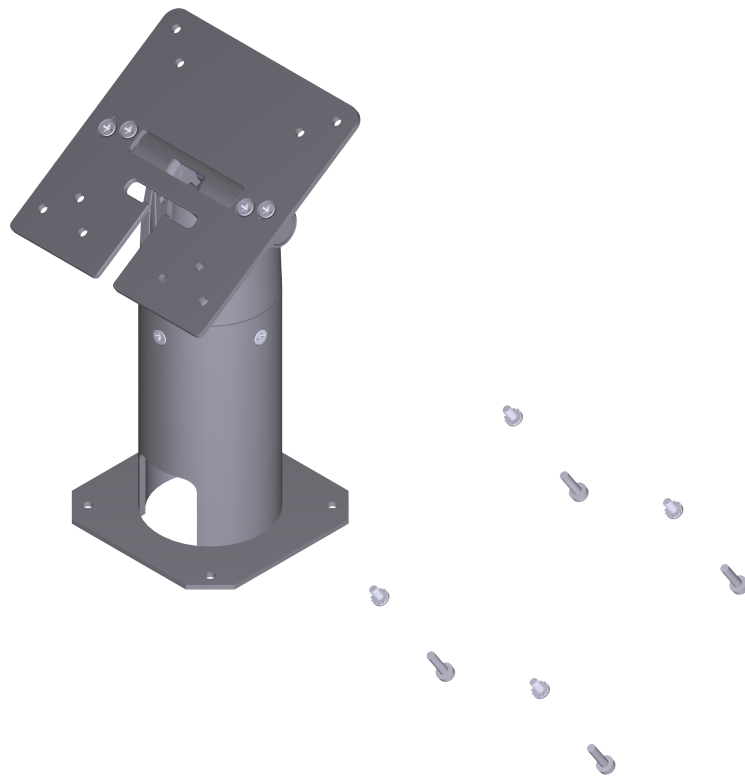


# Kit Instructions

## Pole Mount with XL Display Adapter



5915-K400  
Issue B



---

The product described in this document is a licensed product of NCR Corporation.

NCR is a registered trademark of NCR Corporation. NCR RealPOS is a trademark of NCR Corporation in the United States and/or other countries. Other product names mentioned in this publication may be trademarks or registered trademarks of their respective companies and are hereby acknowledged.

The terms HDMI and HDMI High-Definition Multimedia Interface, and the HDMI Logo are trademarks or registered trademarks of HDMI Licensing LLC in the United States and other countries.

Where creation of derivative works, modifications or copies of this NCR copyrighted documentation is permitted under the terms and conditions of an agreement you have with NCR, NCR's copyright notice must be included.

It is the policy of NCR Corporation (NCR) to improve products as new technology, components, software, and firmware become available. NCR, therefore, reserves the right to change specifications without prior notice.

All features, functions, and operations described herein may not be marketed by NCR in all parts of the world. In some instances, photographs are of equipment prototypes. Therefore, before using this document, consult with your NCR representative or NCR office for information that is applicable and current.

To maintain the quality of our publications, we need your comments on the accuracy, clarity, organization, and value of this book. Please use the link below to send your comments.

*Email:* [FD230036@ncr.com](mailto:FD230036@ncr.com)

Copyright © 2020–2021

By NCR Corporation

Global Headquarters

864 Spring St NW

Atlanta, GA 30308

U.S.A.

All Rights Reserved

# Table of Contents

## *Pole Mount with XL Display Adapter*

Kit Contents .....	1
Dimensions .....	2
Installation Procedure .....	2
Cable Routing .....	4
XL10W Display (5910) .....	4
XL15 Display (5915) / XL15W Display (5916) .....	7
XR7 Plus POS (7703) .....	9

## Revision Record

Issue	Date	Remarks
A	May 2020	First Issue
B	Jul 2021	Added Pole Dimensions

---

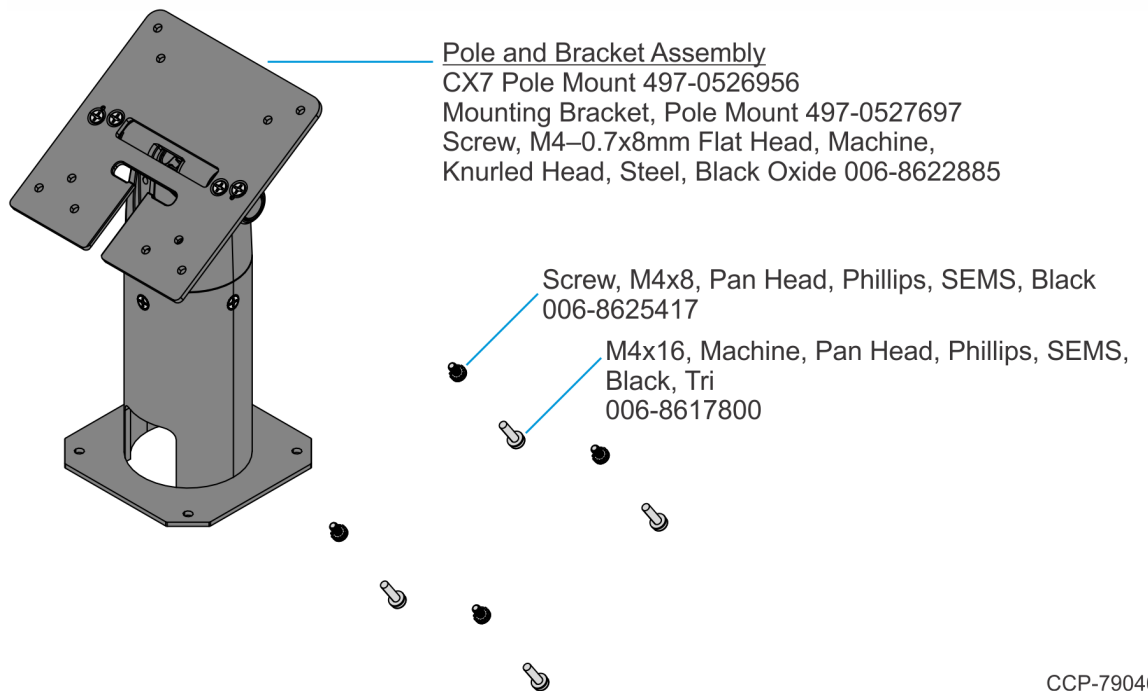
# Pole Mount with XL Display Adapter

---

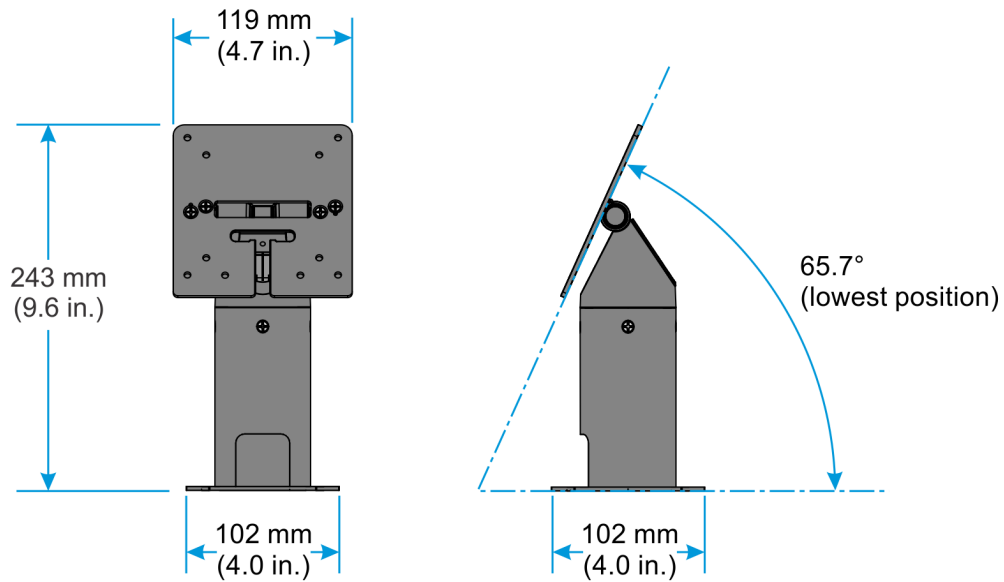
This kit provides a Pole Mount for the following:

- XL10W Display (5910)
- XL15 Display (5915)
- XL15W Display (5916)
- XR7 Plus POS (7703)

## Kit Contents



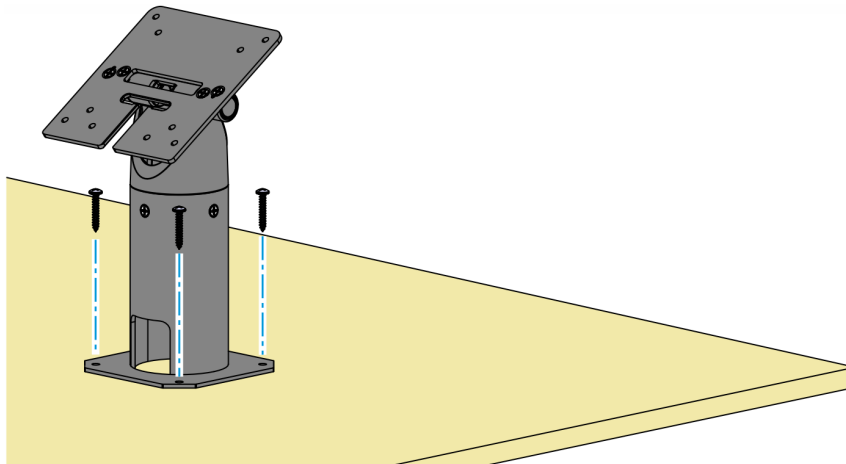
## Dimensions



CCP-81528

## Installation Procedure

1. Install the Pole on the countertop with four (4) screws (one on each corner).

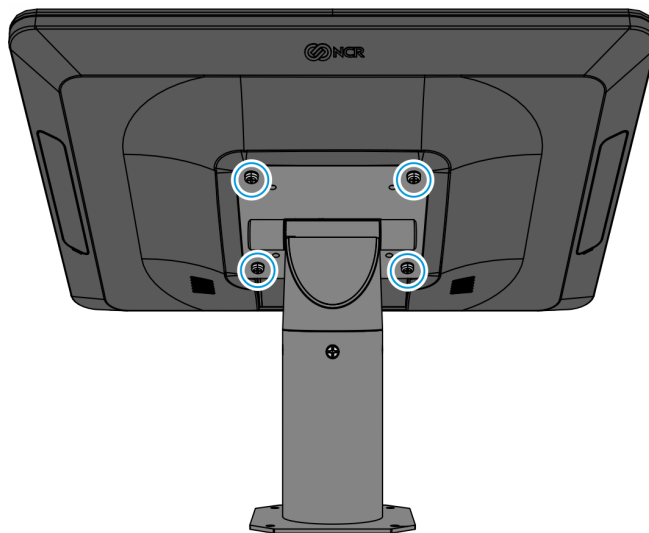


CCP-79047

2. Connect the Cables on the back of the Display then route the Cables through the Pole. For more information, refer to the Cable Routing section:
  - [XL10W Display \(5910\)](#) on page 4
  - [XL15 Display \(5915\) / XL15W Display \(5916\)](#) on page 7
  - [XR7 Plus POS \(7703\)](#) on page 9

3. Install the Display on the Bracket (4 screws). Use the appropriate screws for the display.

Display	Screw
XL10W Display (5910)	006-8625417 Screw, M4x8, Pan Head, Phillips, SEMS, Black
XL15 Display (5915)	006-8617800 M4x16, Machine, Pan Head, Phillips, SEMS, Black, Tri
XL15W Display (5916)	006-8617800 M4x16, Machine, Pan Head, Phillips, SEMS, Black, Tri
XR7 Plus POS (7703)	006-8625417 Screw, M4x8, Pan Head, Phillips, SEMS, Black



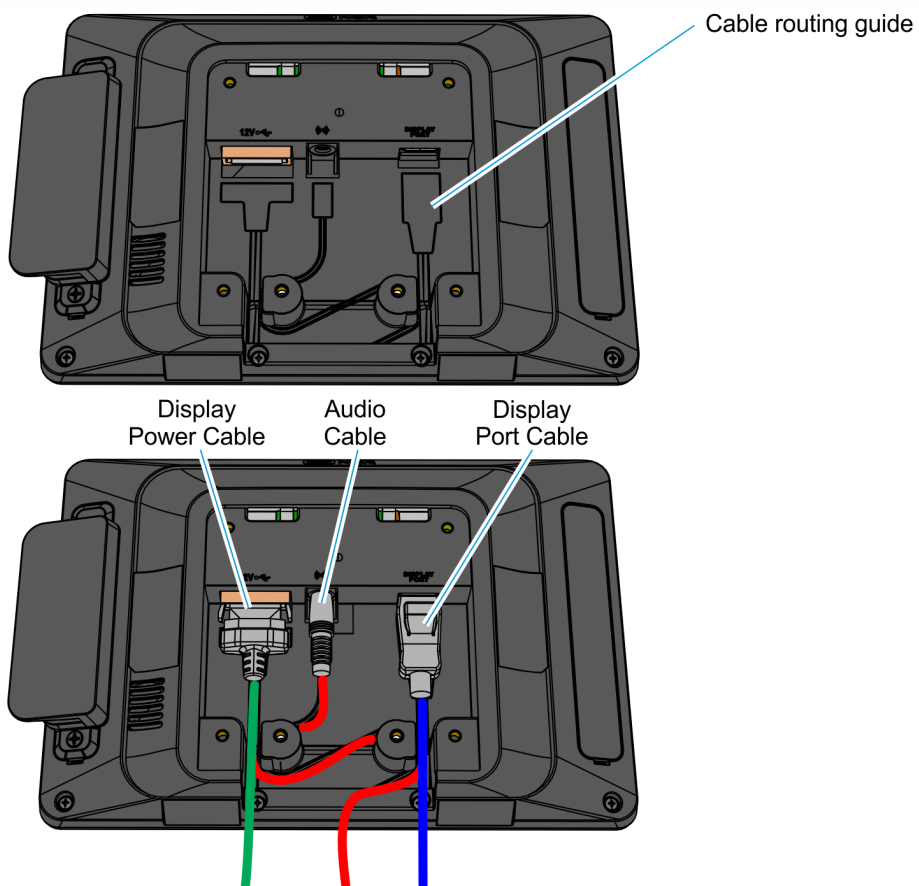
## Cable Routing

### XL10W Display (5910)

#### **Display Port Model**

Connect the Display cables and route them according to the imprinted routing guide.

1. Connect and route the Audio Cable first. Route the cable looping around the cable strain relief posts as shown.
2. Connect the Display Power Cable and route straight down over the Audio Cable.
3. Connect the Display Port Cable and route straight down over the Audio Cable.

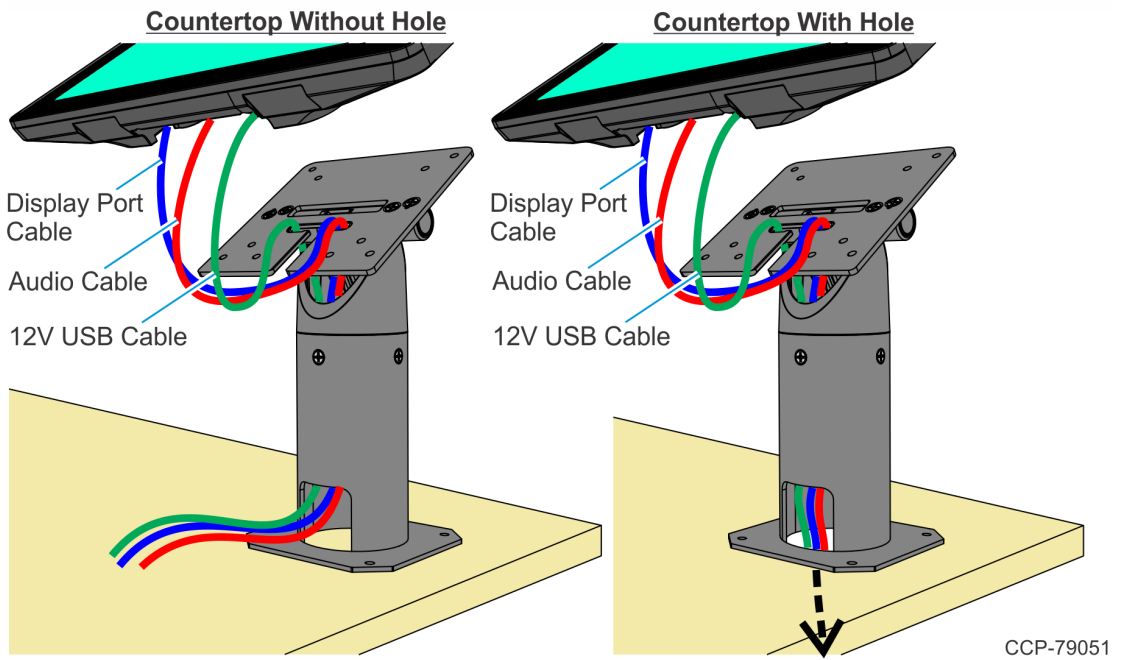




4. Route the Cables through the Bracket and down through the Pole as shown.

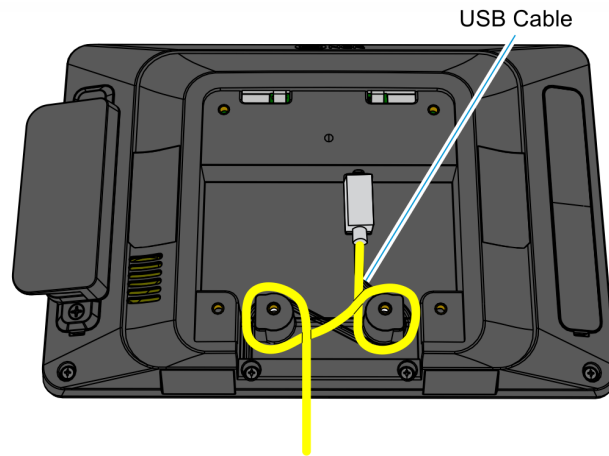


**Note:** If there's a hole in the countertop, the cables can be routed through the counter as well.



### USB Model

1. Connect and route the USB Cable looping around the cable strain relief posts as shown.

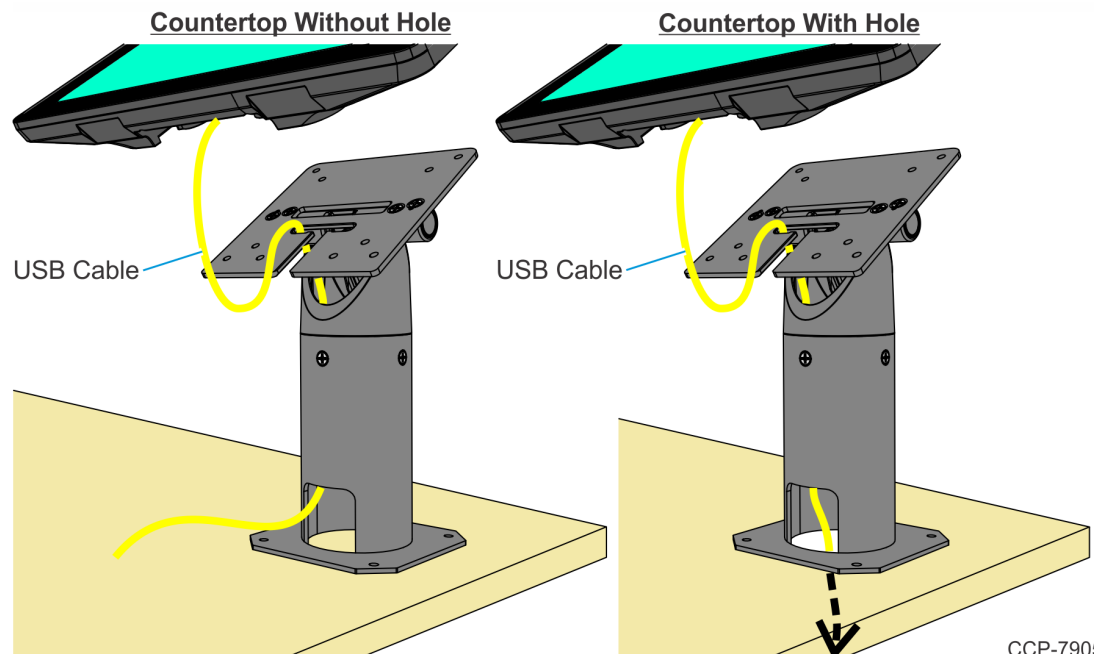


CCP-79036

2. Route the Cable through the Bracket and down through the Pole as shown.



**Note:** If there's a hole in the countertop, the cable can be routed through the counter as well.

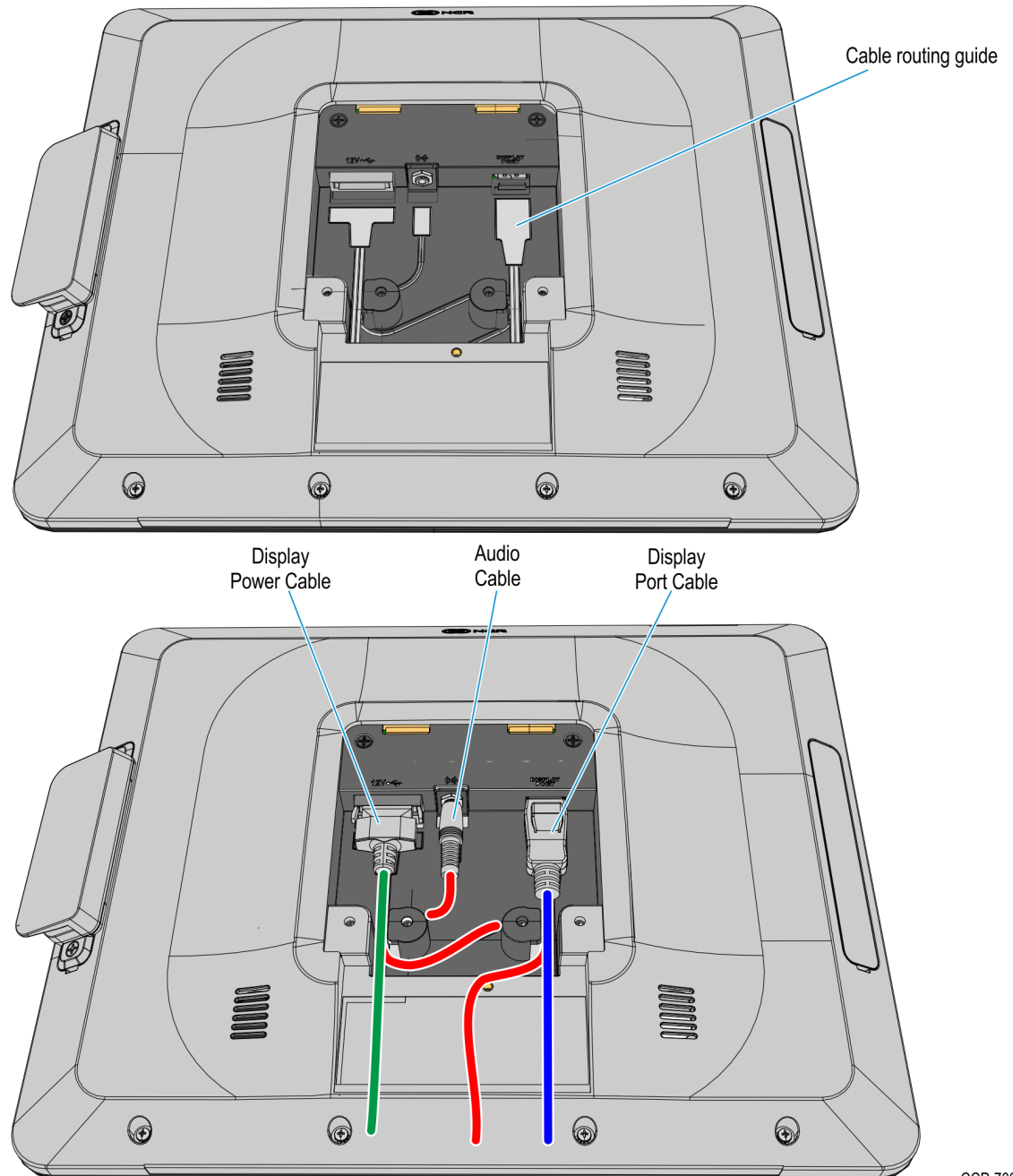


CCP-79052

## XL15 Display (5915) / XL15W Display (5916)

Connect the Display cables and route them according to the imprinted routing guide.

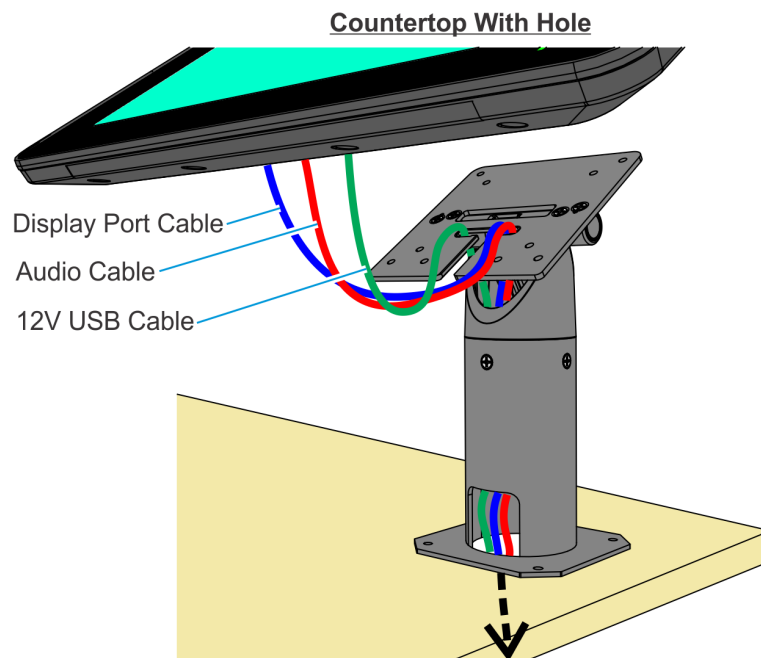
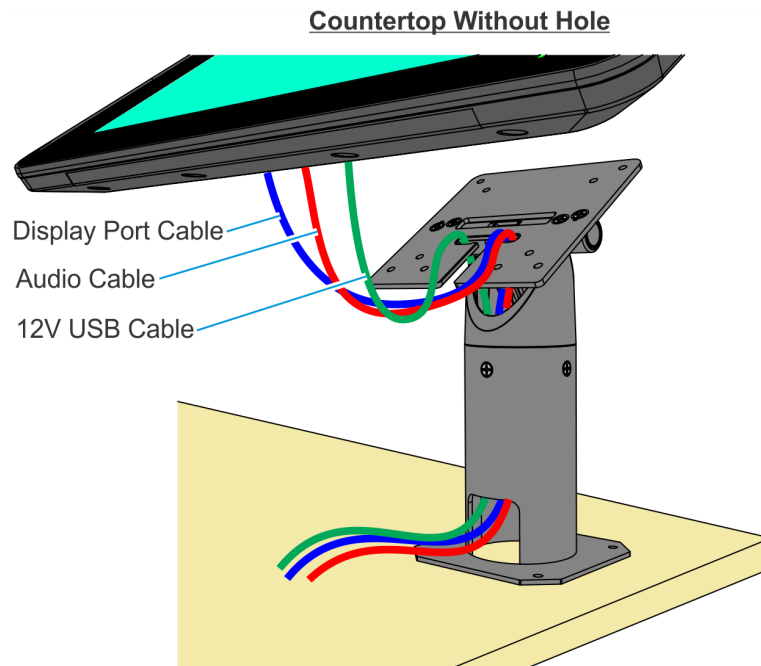
1. Connect and route the Audio Cable first. Route the cable looping around the cable strain relief posts as shown.
2. Connect the Display Power Cable and route straight down over the Audio Cable.
3. Connect the Display Port Cable and route straight down over the Audio Cable.



4. Route the Cables through the Bracket and down through the Pole as shown.

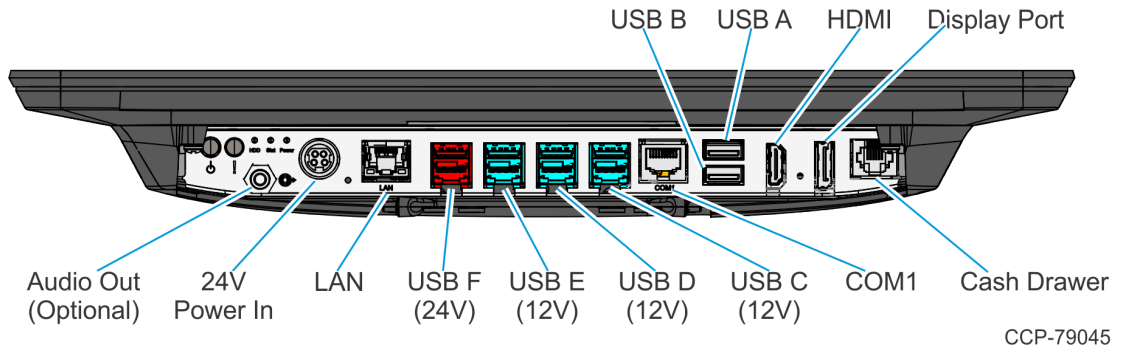


**Note:** If there's a hole in the countertop, the cables can be routed through the counter as well.



## XR7 Plus POS (7703)

1. Connect the Cables to the I/O Panel.



2. Route the Cables down through the Pole as shown.



**Note:** If there's a hole in the countertop, the cables can be routed through the counter as well.

