

# Kit Instructions

## VESA Bracket Adapter Plate



5915-K330/K331  
Issue B



---

The product described in this document is a licensed product of NCR Corporation.

NCR is a registered trademark of NCR Corporation. NCR RealPOS is a trademark of NCR Corporation in the United States and/or other countries. Other product names mentioned in this publication may be trademarks or registered trademarks of their respective companies and are hereby acknowledged.

The terms HDMI and HDMI High-Definition Multimedia Interface, and the HDMI Logo are trademarks or registered trademarks of HDMI Licensing LLC in the United States and other countries.

Where creation of derivative works, modifications or copies of this NCR copyrighted documentation is permitted under the terms and conditions of an agreement you have with NCR, NCR's copyright notice must be included.

It is the policy of NCR Corporation (NCR) to improve products as new technology, components, software, and firmware become available. NCR, therefore, reserves the right to change specifications without prior notice.

All features, functions, and operations described herein may not be marketed by NCR in all parts of the world. In some instances, photographs are of equipment prototypes. Therefore, before using this document, consult with your NCR representative or NCR office for information that is applicable and current.

To maintain the quality of our publications, we need your comments on the accuracy, clarity, organization, and value of this book. Please use the link below to send your comments.

*Email:* [FD230036@ncr.com](mailto:FD230036@ncr.com)

Copyright © 2019  
By NCR Corporation  
Global Headquarters  
864 Spring St NW  
Atlanta, GA 30308  
U.S.A.  
All Rights Reserved

## Revision Record

Issue	Date	Remarks
A	Jan 2019	First Issue
B	Dec 2019	Updated model name for XL10W to "USB Model"

---

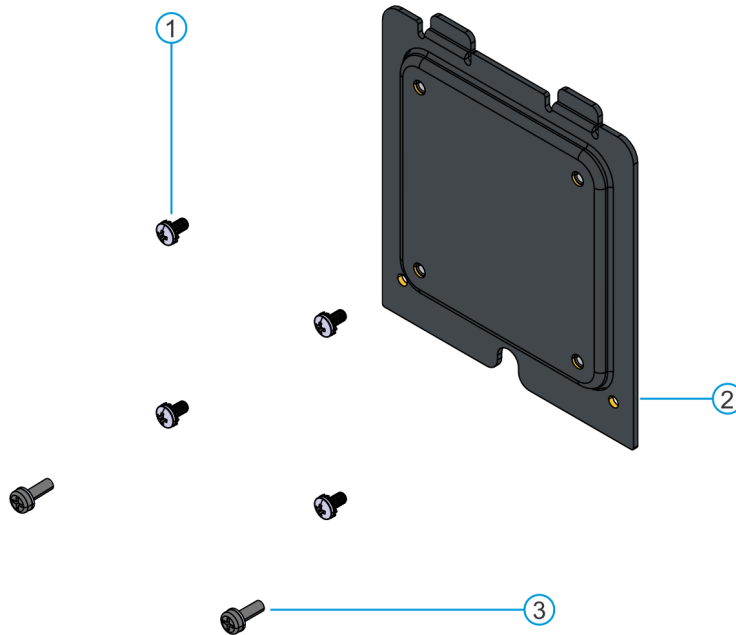
# VESA Bracket Adapter Plate

---

This kit provides a Bracket Adapter Plate for mounting the following displays with a 100mm x 100mm VESA pattern on a mount system with a 75mm x 75mm VESA pattern:

- XL10W Display (5910)
- XL15 Display (5915)
- XL15W Display (5916)

## Kit Contents

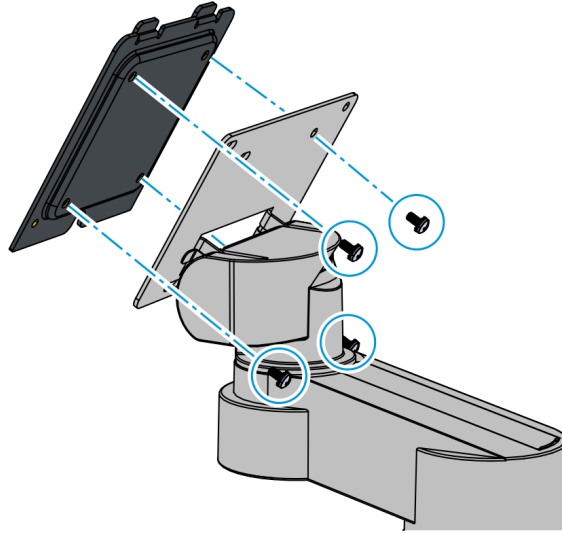


CCP-74930

Item	Part Number	Description
<b>5915-K330 VESA Bracket Adapter Plate, Black</b>		
1	006-8622368	Screw, M4-0.7x8mm Phillips, Cross Recessed Pan Head Machine Screw with External Tooth Lock Washer
2	497-0520582	VESA Bracket Adapter Plate, 75 to 100 mm, Black
3	006-8617763	Screw, M4x12, Phillips, Pan Head, SEMS, Black
<b>5915-K331 VESA Bracket Adapter Plate, White</b>		
1	006-8622368	Screw, M4-0.7x8mm Phillips, Cross Recessed Pan Head Machine Screw with External Tooth Lock Washer
2	497-0521307	VESA Bracket Adapter Plate, 75 to 100 mm, White
3	006-8622686	Screw, M4x12, Phillips, Pan Head, SEMS, Steel

# Installation Procedure

1. Attach the Bracket Adapter Plate to the external VESA mount system using four (4) screws.

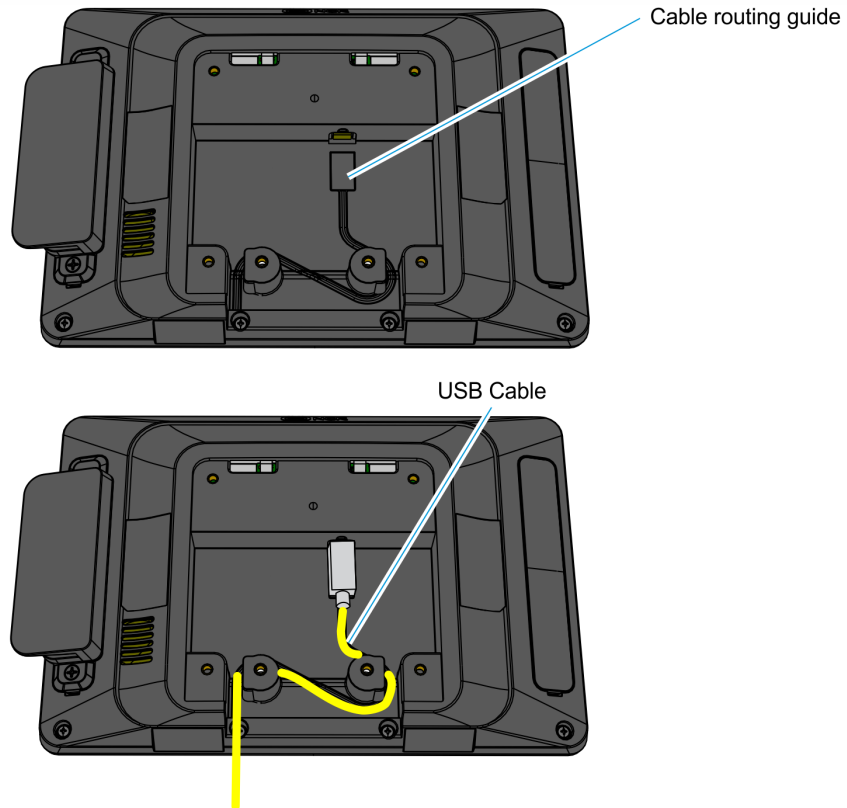


CCP-74950

2. Connect the Display cables and route them according to the imprinted routing guide.

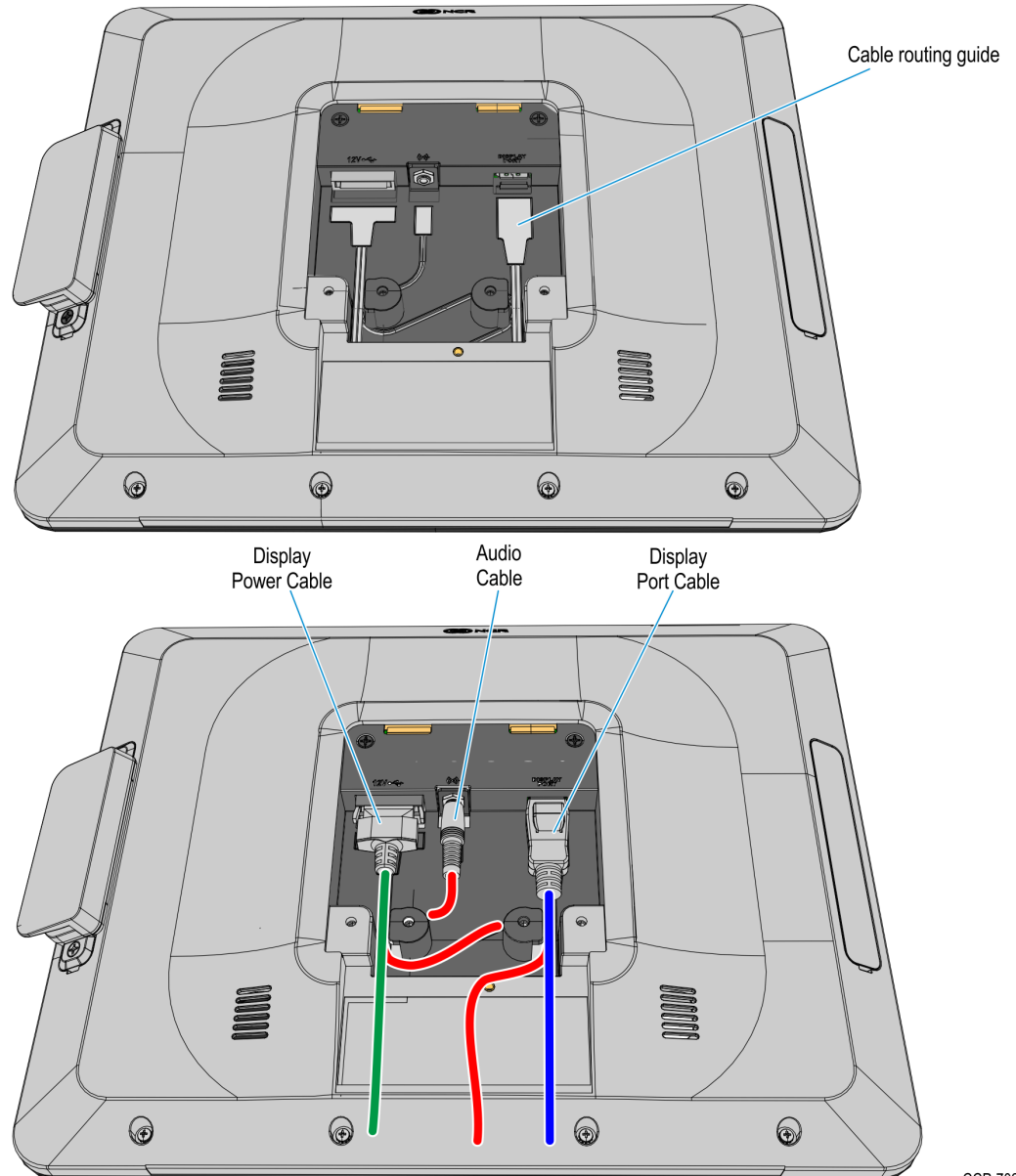
**For XL10W (5910) USB Model**

- a. Connect and route the USB Cable looping around the cable strain relief posts as shown.

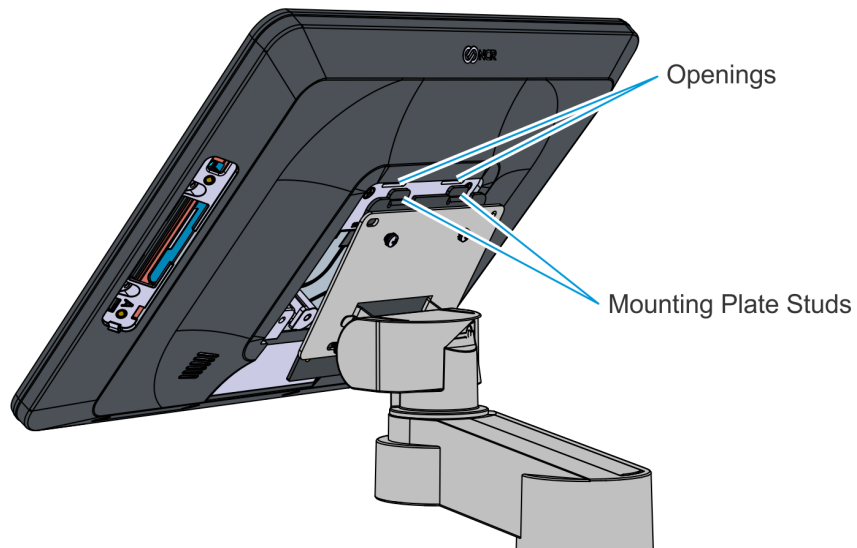


**For XL10W (5910) Display Port Model, XL15 (5915), and XL15W (5916)**

- a. Connect and route the Audio Cable first. Route the cable looping around the cable strain relief posts as shown.
- b. Connect the Display Power Cable and route straight down over the Audio Cable.
- c. Connect the Display Port Cable and route straight down over the Audio Cable.

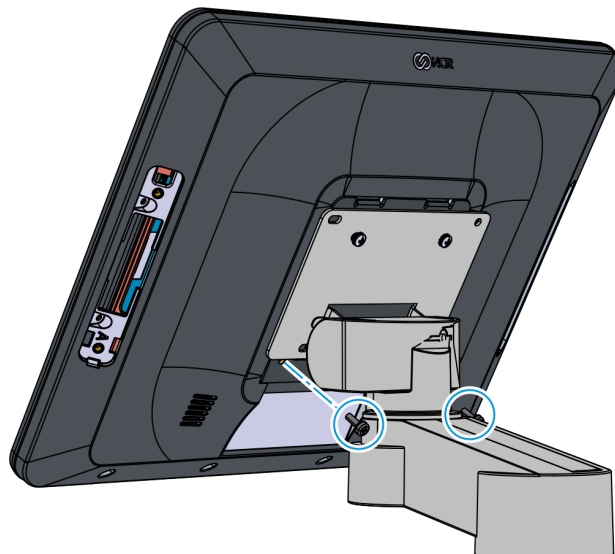


3. Mount the Display on the Mounting Plate Studs of the Bracket Adapter Plate at a slight angle as shown.



CCP-74951

4. Rotate the Display flush onto the Bracket Adapter Plate and secure with two (2) screws.



CCP-74952