

Kit Instructions

Quick Release Bracket



5915-K320
Issue C



The product described in this document is a licensed product of NCR Corporation.

NCR is a registered trademark of NCR Corporation. NCR RealPOS is a trademark of NCR Corporation in the United States and/or other countries. Other product names mentioned in this publication may be trademarks or registered trademarks of their respective companies and are hereby acknowledged.

The terms HDMI and HDMI High-Definition Multimedia Interface, and the HDMI Logo are trademarks or registered trademarks of HDMI Licensing LLC in the United States and other countries.

Where creation of derivative works, modifications or copies of this NCR copyrighted documentation is permitted under the terms and conditions of an agreement you have with NCR, NCR's copyright notice must be included.

It is the policy of NCR Corporation (NCR) to improve products as new technology, components, software, and firmware become available. NCR, therefore, reserves the right to change specifications without prior notice.

All features, functions, and operations described herein may not be marketed by NCR in all parts of the world. In some instances, photographs are of equipment prototypes. Therefore, before using this document, consult with your NCR representative or NCR office for information that is applicable and current.

To maintain the quality of our publications, we need your comments on the accuracy, clarity, organization, and value of this book. Please use the link below to send your comments.

EMail: FD230036@ncr.com

Copyright © 2016–2019
By NCR Corporation
Global Headquarters
864 Spring St NW
Atlanta, GA 30308
U.S.A.
All Rights Reserved

Revision Record

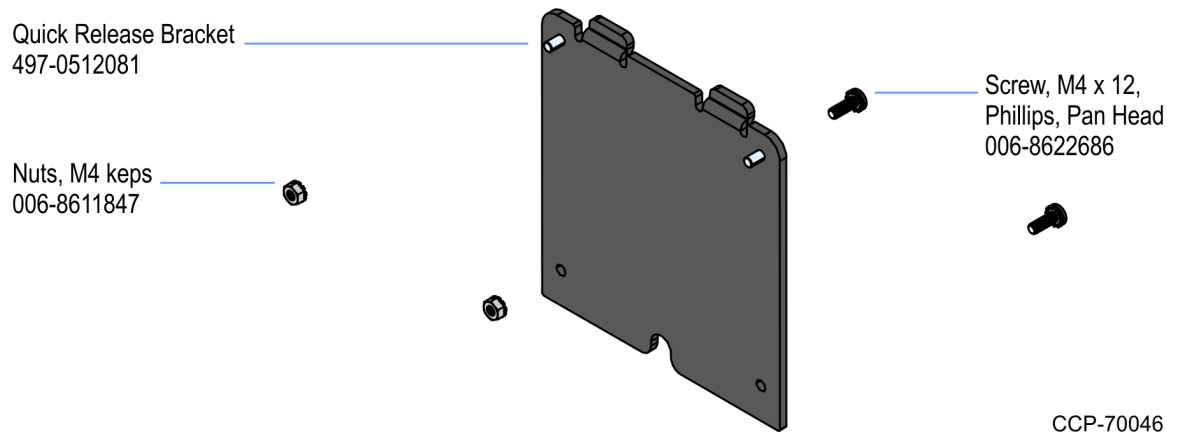
Issue	Date	Remarks
A	Dec 2016	First Issue
B	July 2017	Added XL10W Display
C	Jan 2019	Renamed "VESA Adapter" to "Quick Release Bracket" Added XL15W Display (5916)

Quick Release Bracket

This kit provides a quick release bracket for easy cable access for third party mounts. This kit can be used on the following displays:

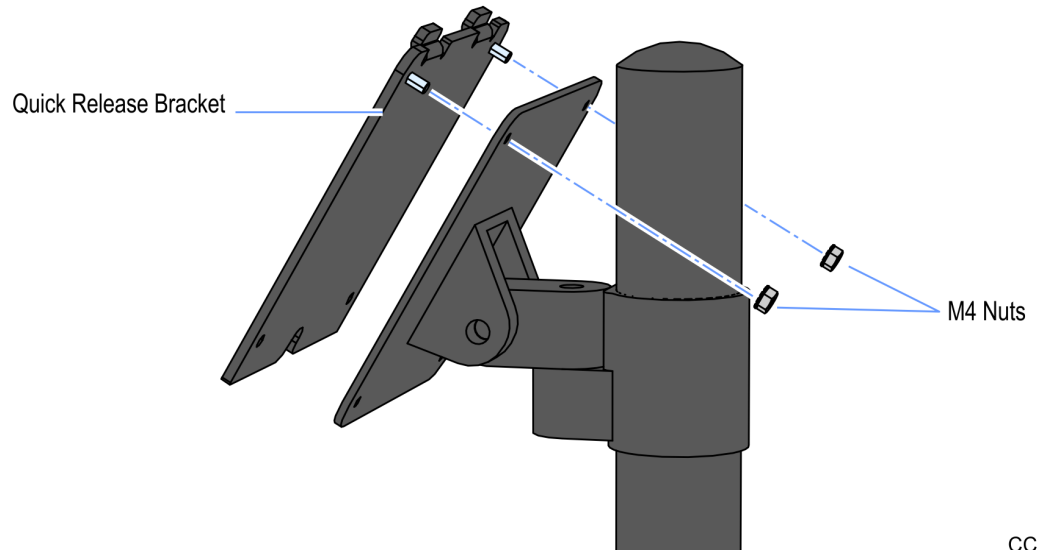
- XL10W Display (5910)
- XL15 Display (5915)
- XL15W Display (5916)

Kit Contents

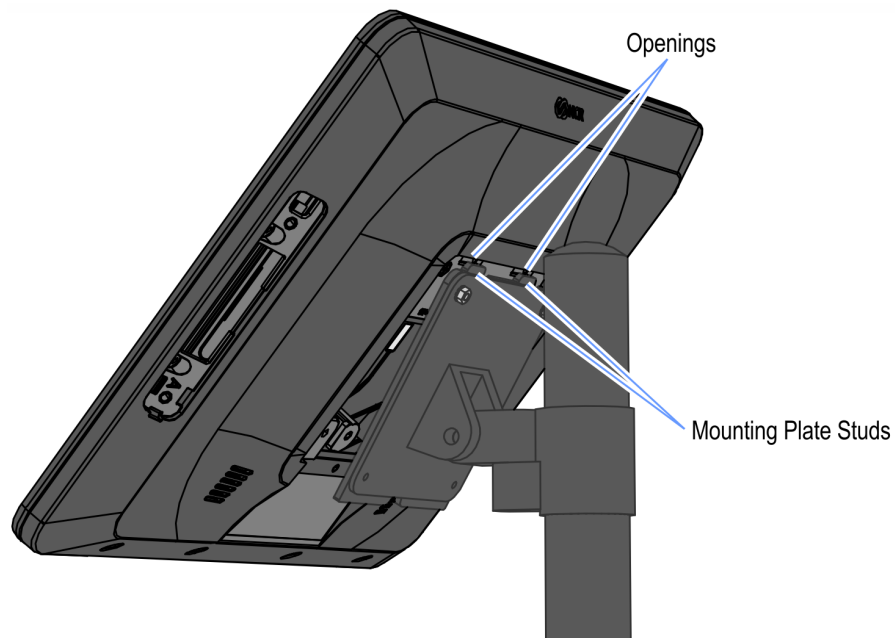


Installation Procedure

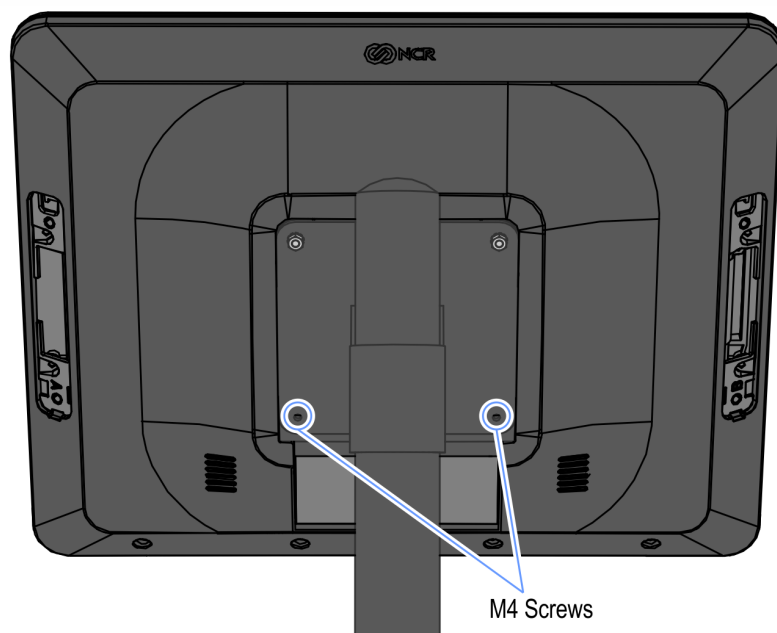
1. Attach the Quick Release Bracket to the external VESA mount system using two (2) M4 nuts.



2. Mount the Display on the Mounting Plate Studs of the Quick Release Bracket at a slight angle as shown.



3. Rotate the Display flush onto the Bracket and secure it with two (2) M4 screws.



CCP-70049

