

Kit Instructions

White NCR Encrypted USB 3-Track MSR



5915-K241
Issue A



The product described in this document is a licensed product of NCR Corporation.

NCR is a registered trademark of NCR Corporation. NCR RealPOS is a trademark of NCR Corporation in the United States and/or other countries. Other product names mentioned in this publication may be trademarks or registered trademarks of their respective companies and are hereby acknowledged.

The terms HDMI and HDMI High-Definition Multimedia Interface, and the HDMI Logo are trademarks or registered trademarks of HDMI Licensing LLC in the United States and other countries.

Where creation of derivative works, modifications or copies of this NCR copyrighted documentation is permitted under the terms and conditions of an agreement you have with NCR, NCR's copyright notice must be included.

It is the policy of NCR Corporation (NCR) to improve products as new technology, components, software, and firmware become available. NCR, therefore, reserves the right to change specifications without prior notice.

All features, functions, and operations described herein may not be marketed by NCR in all parts of the world. In some instances, photographs are of equipment prototypes. Therefore, before using this document, consult with your NCR representative or NCR office for information that is applicable and current.

To maintain the quality of our publications, we need your comments on the accuracy, clarity, organization, and value of this book. Please use the link below to send your comments.

Email: FD230036@ncr.com

Copyright © 2019
By NCR Corporation
Global Headquarters
864 Spring St NW
Atlanta, GA 30308
U.S.A.
All Rights Reserved

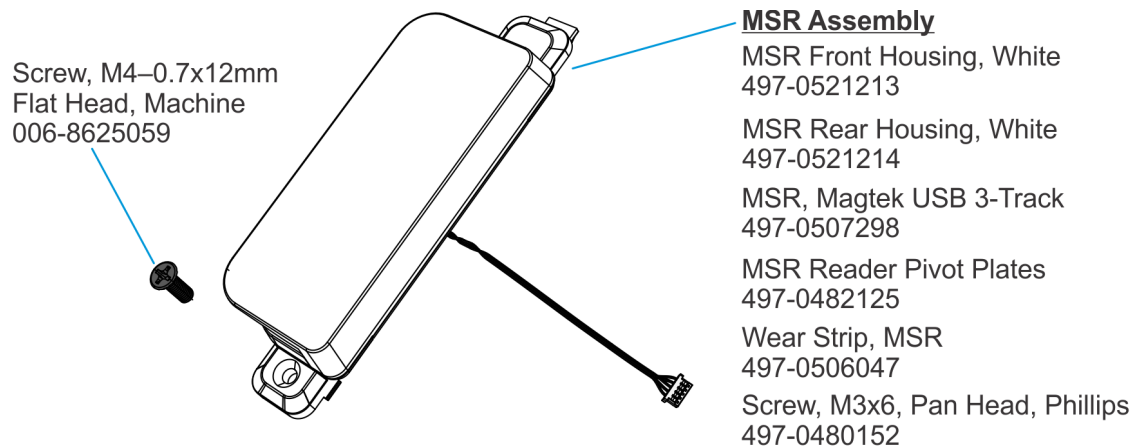
Revision Record

Issue	Date	Remarks
A	Jan 2019	First Issue

White NCR Encrypted USB 3-Track MSR

This kit provides a white NCR Encrypted USB 3-Track MSR for the XL15 Display (5915).

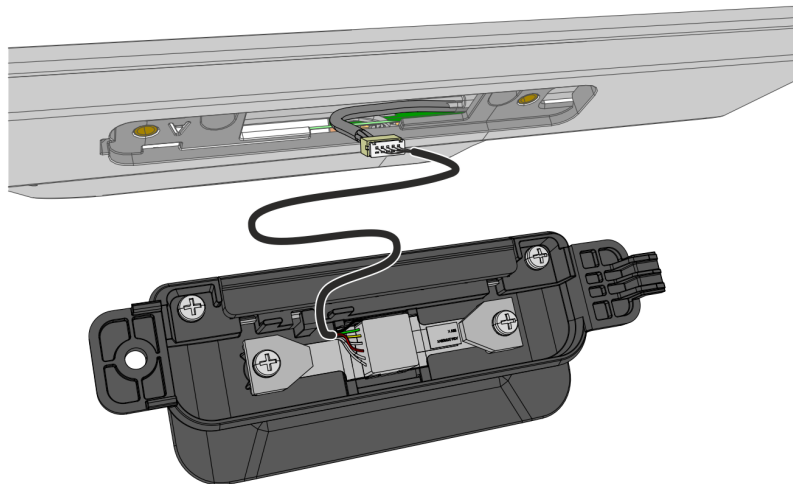
Kit Contents



CCP-74917

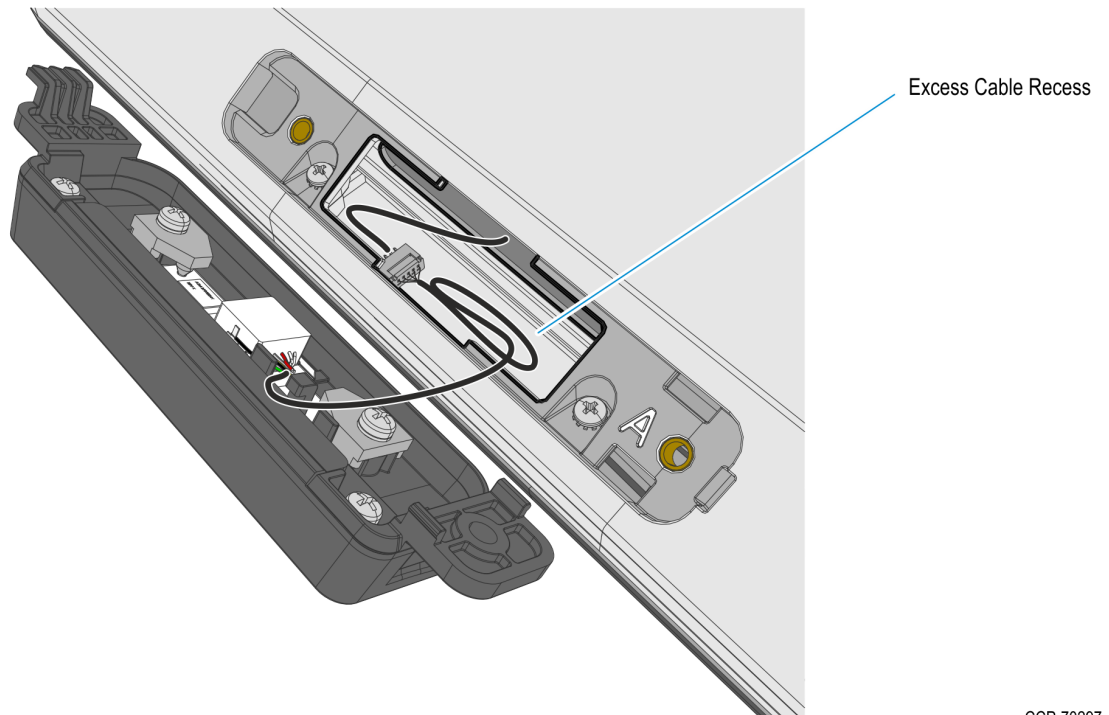
Installation Procedure

1. Connect the MSR cable to the extender cable from the Display Head.



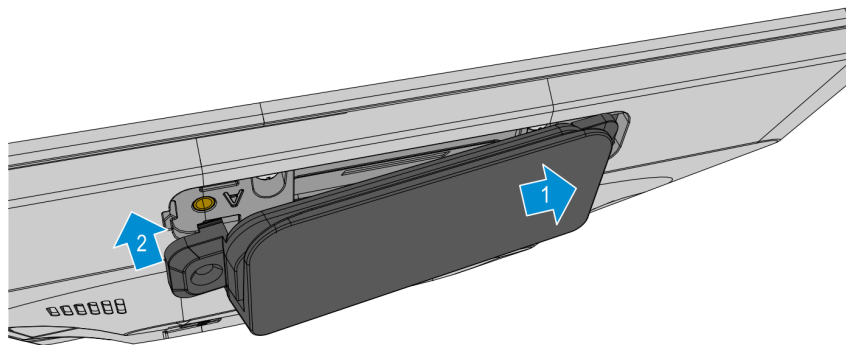
CCP-70276

2. Carefully insert the excess cable into the recess on the Display Head.



CCP-70297

3. Insert the hook of the MSR into the rectangular hole on the Display Head and press the other end to mount the MSR. Make sure the cable does not get pinched.



CCP-70279

4. Secure the MSR to the Head with a screw (1).

