

# Kit Instructions

JIS MSR



5915-K142/K242  
Issue A



---

The product described in this document is a licensed product of NCR Corporation.

NCR is a registered trademark of NCR Corporation. NCR RealPOS is a trademark of NCR Corporation in the United States and/or other countries. Other product names mentioned in this publication may be trademarks or registered trademarks of their respective companies and are hereby acknowledged.

The terms HDMI and HDMI High-Definition Multimedia Interface, and the HDMI Logo are trademarks or registered trademarks of HDMI Licensing LLC in the United States and other countries.

Where creation of derivative works, modifications or copies of this NCR copyrighted documentation is permitted under the terms and conditions of an agreement you have with NCR, NCR's copyright notice must be included.

It is the policy of NCR Corporation (NCR) to improve products as new technology, components, software, and firmware become available. NCR, therefore, reserves the right to change specifications without prior notice.

All features, functions, and operations described herein may not be marketed by NCR in all parts of the world. In some instances, photographs are of equipment prototypes. Therefore, before using this document, consult with your NCR representative or NCR office for information that is applicable and current.

To maintain the quality of our publications, we need your comments on the accuracy, clarity, organization, and value of this book. Please use the link below to send your comments.

*Email:* [FD230036@ncr.com](mailto:FD230036@ncr.com)

Copyright © 2019  
By NCR Corporation  
Global Headquarters  
864 Spring St NW  
Atlanta, GA 30308  
U.S.A.  
All Rights Reserved

## Revision Record

Issue	Date	Remarks
A	Jan 2019	First Issue

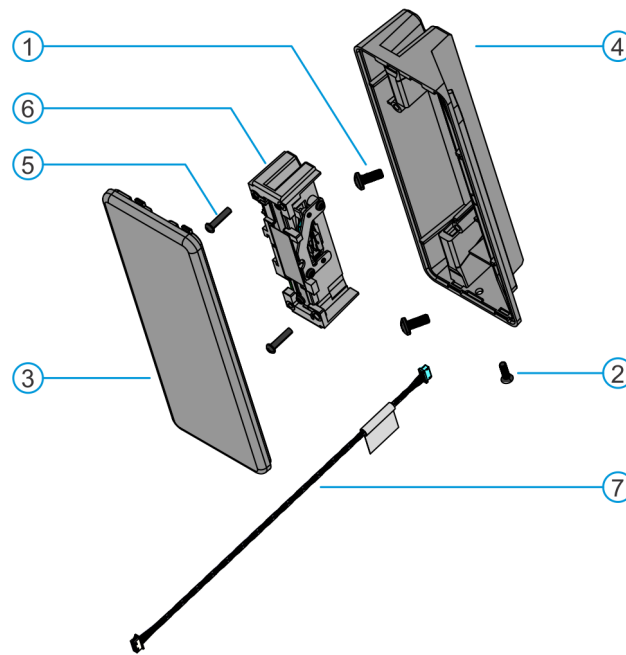
---

# JIS MSR

---

This kit provides a JIS MSR for the XL15 Display (5915).

## Kit Contents



CCP-74931

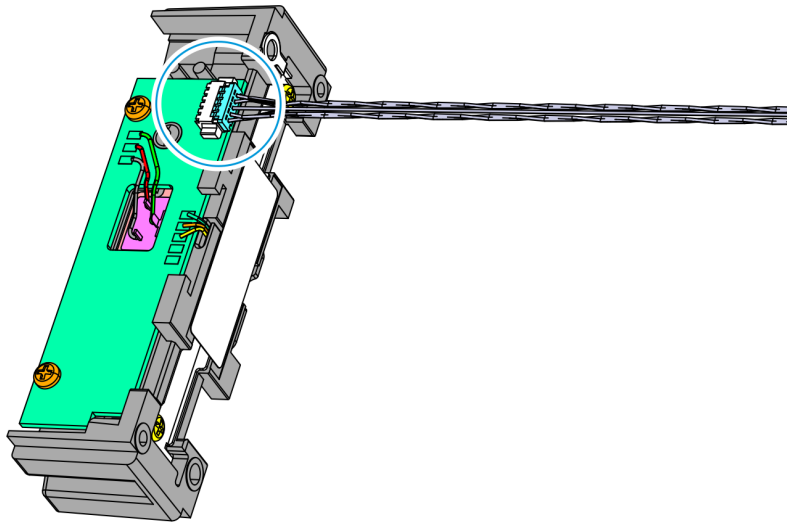
Item	Part Number	Description
<b>5915-K142 JIS MSR</b>		
1	006-0654018	Screw, M4x10 10mm length, Phillips, Pan Head, SEMS
2	006-8624892	Screw, M3x10, Steel, Flat Head, Phillips
3	497-0520790	JIS MSR Rear Cabinet, 5915
4	497-0520793	JIS MSR Front Cabinet, 5915
5	006-8613828	Screw, 4-20x0.500, Plastite, Phillips, Pan Head, Steel
6	497-0492863	MSR, JIS, 3-Track, RoHS
7	497-0520821	Cable, JIS MSR, 5915
<b>5915-K242 JIS MSR, White</b>		

---

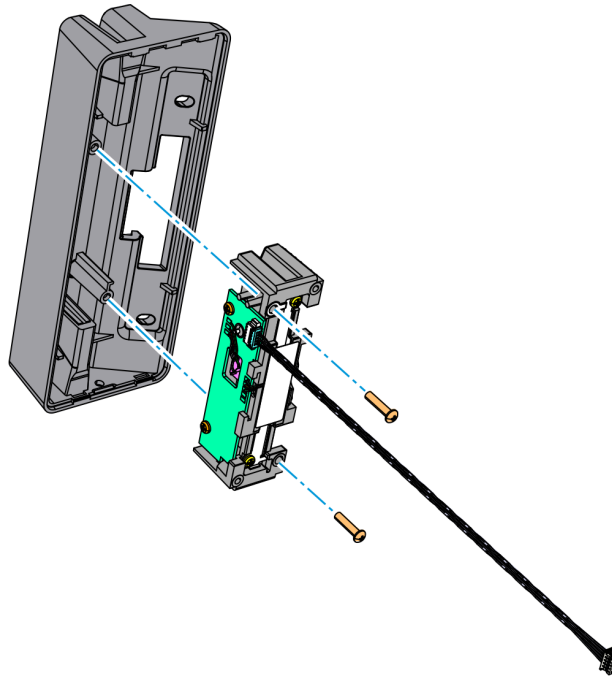
Item	Part Number	Description
1	006-0654018	Screw, M4x10 10mm length, Phillips, Pan Head, SEMS
2	006-8624892	Screw, M3x10, Steel, Flat Head, Phillips
3	497-0520791	JIS MSR Rear Cabinet, 5915, White
4	497-0520794	JIS MSR Front Cabinet, 5915, White
5	006-8613828	Screw, 4-20x0.500, Plastite, Phillips, Pan Head, Steel
6	497-0492863	MSR, JIS, 3-Track, RoHS
7	497-0520821	Cable, JIS MSR, 5915

## Installation Procedure

1. Connect the JIS MSR Cable to the JIS MSR Board.

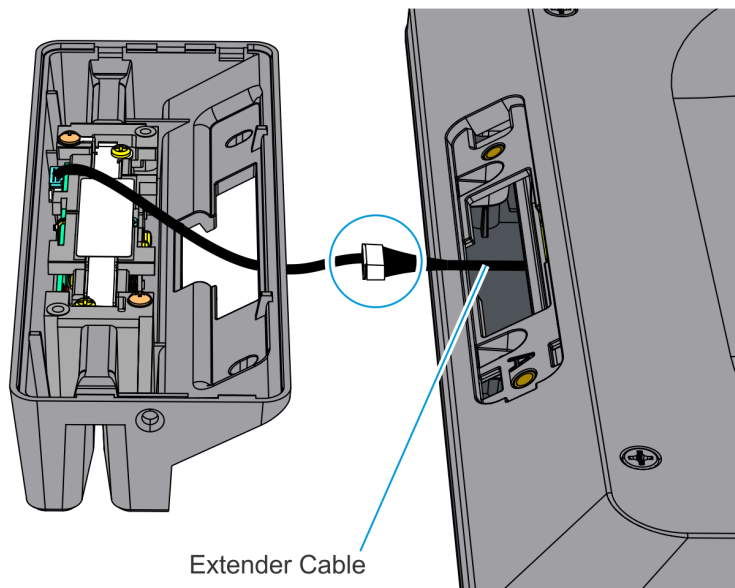


2. Install the JIS MSR on the MSR Front Cabinet (2 screws).



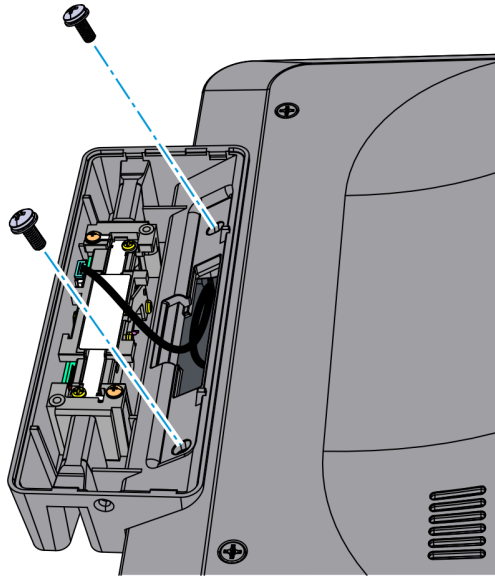
CCP-74933

3. Route the JIS MSR Cable through the Front Cabinet opening and connect the Cable to the extender cable on the Display Head.



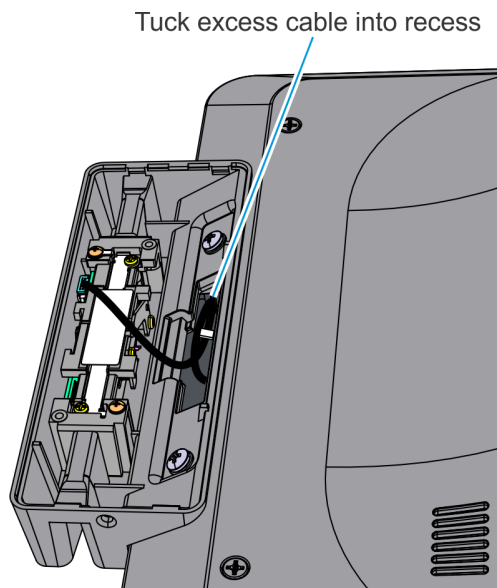
CCP-74934

4. Install the MSR Front Cabinet on the Display Head (2 screws).



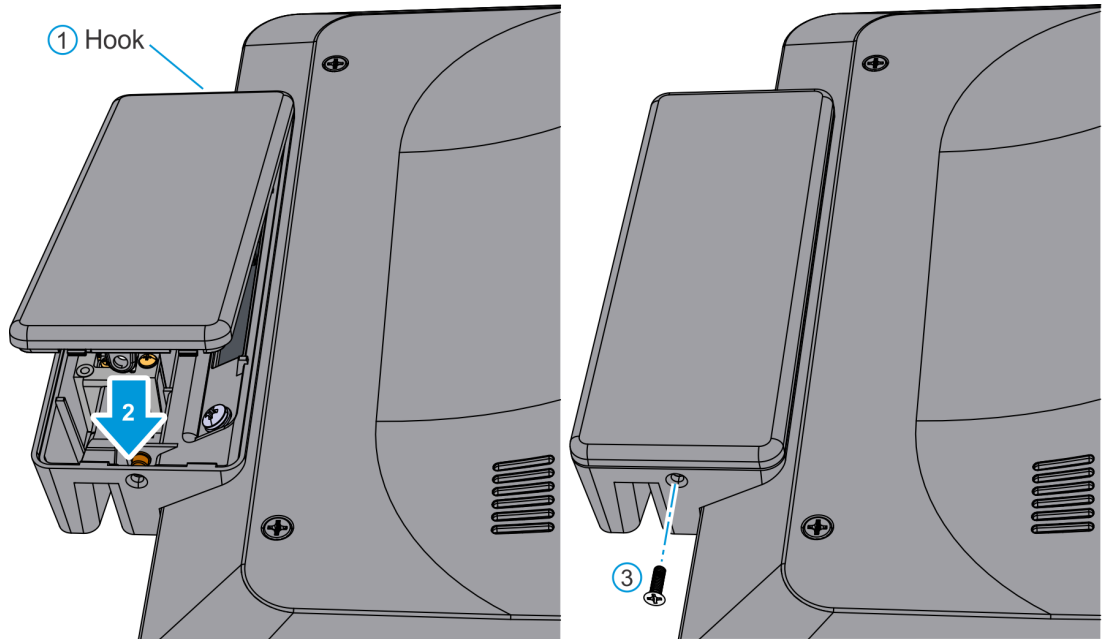
CCP-74935

5. Carefully insert the excess cable into the recess on the Display Head.



CCP-74936

6. Hook the MSR Rear Cabinet into the Front Cabinet and pivot to close. Secure with a screw.



CCP-74937

