

Kit Instructions

XL Stand



5915-K033/K233
Issue D



The product described in this document is a licensed product of NCR Corporation.

NCR is a registered trademark of NCR Corporation. NCR RealPOS is a trademark of NCR Corporation in the United States and/or other countries. Other product names mentioned in this publication may be trademarks or registered trademarks of their respective companies and are hereby acknowledged.

The terms HDMI and HDMI High-Definition Multimedia Interface, and the HDMI Logo are trademarks or registered trademarks of HDMI Licensing LLC in the United States and other countries.

Where creation of derivative works, modifications or copies of this NCR copyrighted documentation is permitted under the terms and conditions of an agreement you have with NCR, NCR's copyright notice must be included.

It is the policy of NCR Corporation (NCR) to improve products as new technology, components, software, and firmware become available. NCR, therefore, reserves the right to change specifications without prior notice.

All features, functions, and operations described herein may not be marketed by NCR in all parts of the world. In some instances, photographs are of equipment prototypes. Therefore, before using this document, consult with your NCR representative or NCR office for information that is applicable and current.

To maintain the quality of our publications, we need your comments on the accuracy, clarity, organization, and value of this book. Please use the link below to send your comments.

EMail: FD230036@ncr.com

Copyright © 2016–2019
By NCR Corporation
Global Headquarters
864 Spring St NW
Atlanta, GA 30308
U.S.A.
All Rights Reserved

Revision Record

Issue	Date	Remarks
A	Dec 2016	First Issue
B	Feb 2017	Added screws for 10.4" and 15" X-Series Displays
C	July 2017	Added XL10W Display (5910)
D	Jan 2019	Added K233 (XL Stand, White)

XL Stand

This kit provides a table-stop stand for the following displays:

- XL10W Display (5910)
- XL15 Display (5915)
- XL15W Display (5916)
- 10.4" X-Series Display (5968/5985)
- 15" X-Series Display (5968/5985)

Kit Contents

5915-K033

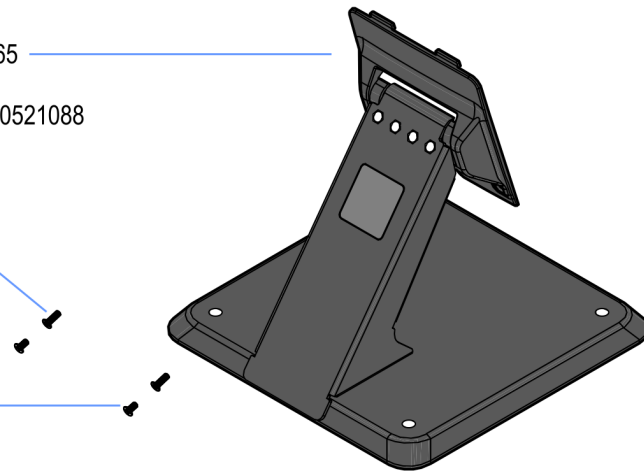
Stand Assembly 497-0517965

5915-K233

Stand Assembly, White 497-0521088

Screw, M4-0.7 x 12mm
Flat Head, Machine
006-8625059

Screw, M4-0.7 x 8mm,
Flat Head, Machine
006-8622885



CCP-70042

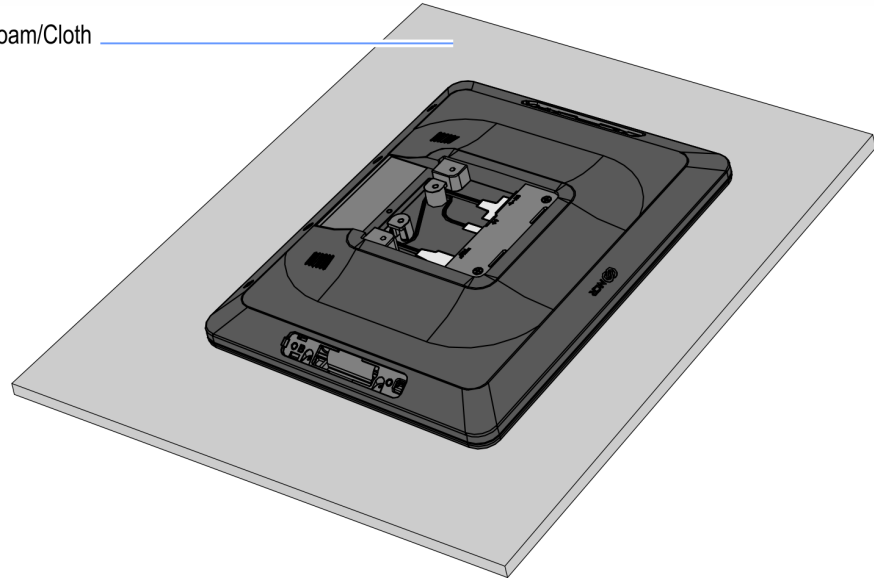
Installation Procedure

1. Lay the display face down on a flat surface.



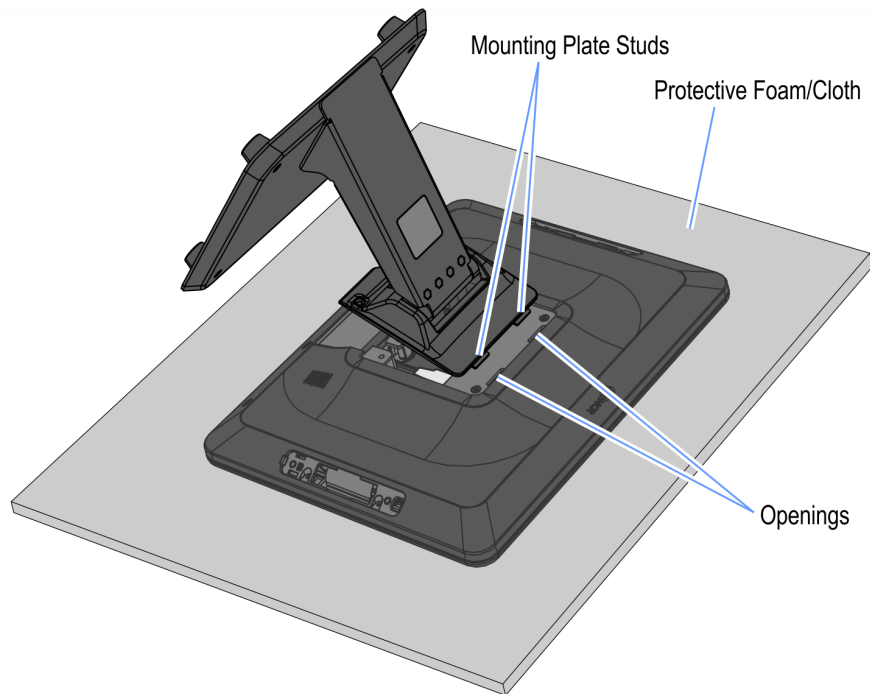
Note: Always use a soft material (cloth, foam) to protect the display screen when placing the display face down.

Protective Foam/Cloth



CCP-70043

2. Insert the Mounting Plate Studs (2) into the openings on the back of the display at a slight angle as shown.



CCP-70044

3. Rotate the stand flush into the back of the display and secure it with screws (2). Use the appropriate screws for the display.

Display	Screw
XL10W Display (5910)	006-8625059 M4-0.7 x 12mm Flat Head, Machine Screw
XL15 Display (5915)	006-8625059 M4-0.7 x 12mm Flat Head, Machine Screw
10.4" X-Series Display (5968/5985)	006-8622885 M4-0.7 x 8mm Flat Head, Machine Screw
15" X-Series Display (5968/5985)	006-8622885 M4-0.7 x 8mm Flat Head, Machine Screw

