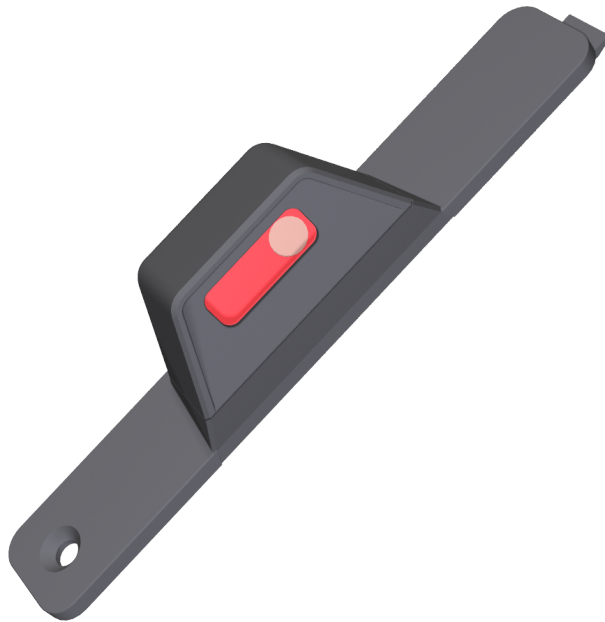


# Kit Instructions

## Cube Scanner



9700-0063-5910  
Issue C



---

The product described in this document is a licensed product of NCR Corporation.

NCR is a registered trademark of NCR Corporation. NCR RealPOS is a trademark of NCR Corporation in the United States and/or other countries. Other product names mentioned in this publication may be trademarks or registered trademarks of their respective companies and are hereby acknowledged.

The terms HDMI and HDMI High-Definition Multimedia Interface, and the HDMI Logo are trademarks or registered trademarks of HDMI Licensing LLC in the United States and other countries.

Where creation of derivative works, modifications or copies of this NCR copyrighted documentation is permitted under the terms and conditions of an agreement you have with NCR, NCR's copyright notice must be included.

It is the policy of NCR Corporation (NCR) to improve products as new technology, components, software, and firmware become available. NCR, therefore, reserves the right to change specifications without prior notice.

All features, functions, and operations described herein may not be marketed by NCR in all parts of the world. In some instances, photographs are of equipment prototypes. Therefore, before using this document, consult with your NCR representative or NCR office for information that is applicable and current.

To maintain the quality of our publications, we need your comments on the accuracy, clarity, organization, and value of this book. Please use the link below to send your comments.

*Email:* [FD230036@ncr.com](mailto:FD230036@ncr.com)

Copyright © 2019–2023

By NCR Corporation

Global Headquarters

864 Spring St NW

Atlanta, GA 30308

U.S.A.

All Rights Reserved

## Revision Record

Issue	Date	Remarks
A	Nov 2019	First Issue
B	May 2020	Added "Programming the Scanner" section
C	Dec 2023	Changed N3680 to N4680

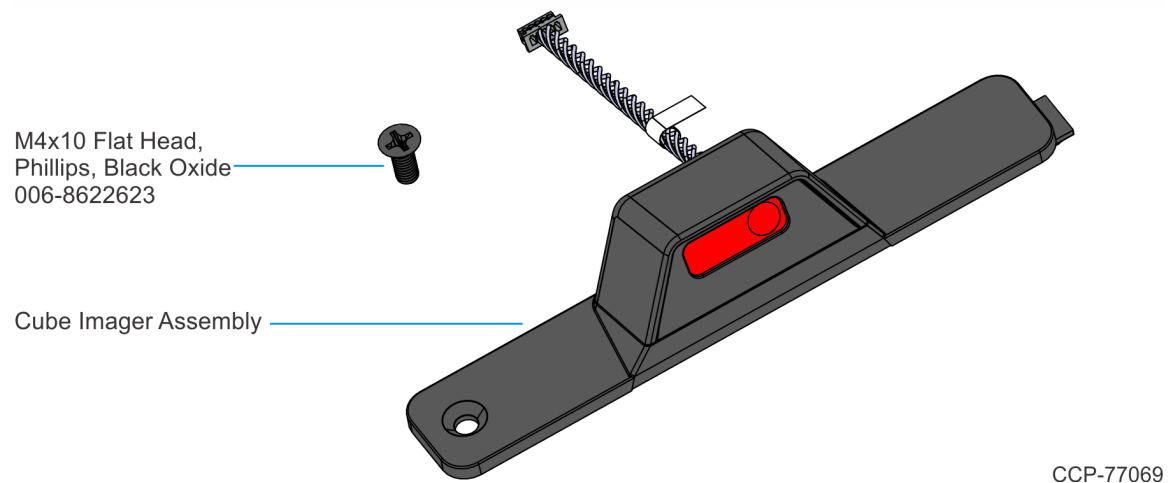
---

# Cube Scanner

---

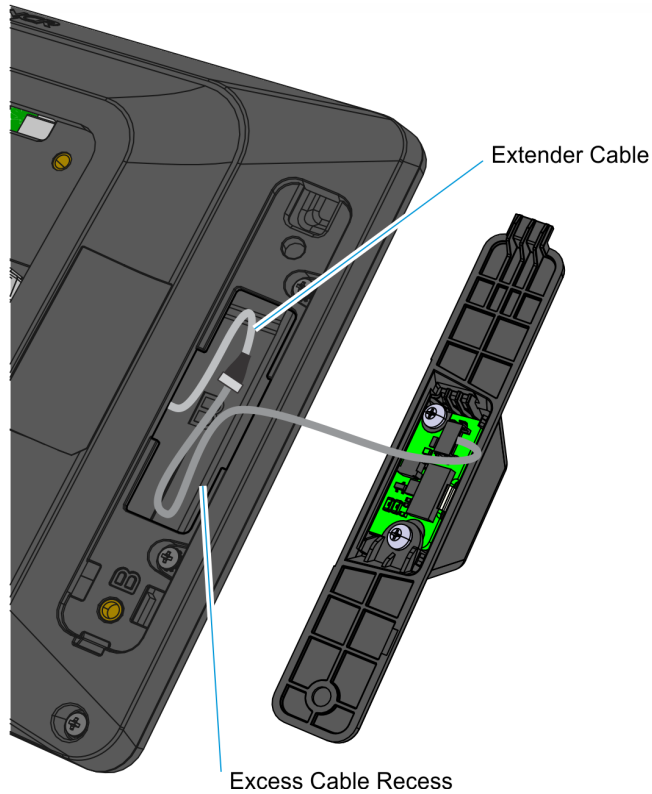
This kit provides a scanner for the NCR XL10W (5910) Display.

## Kit Contents



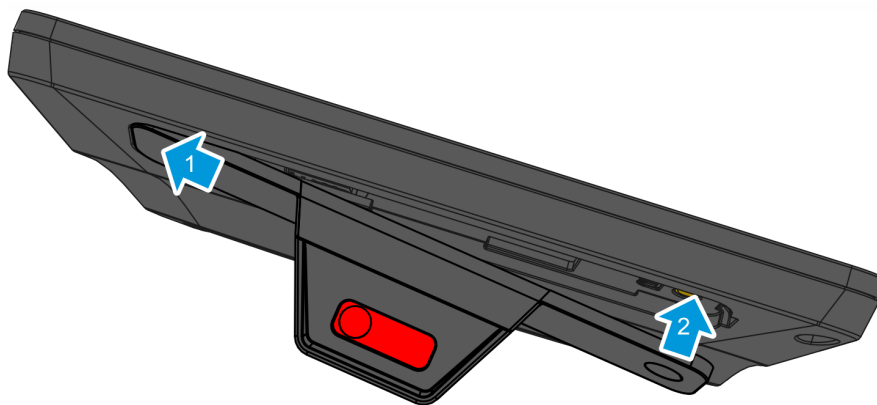
## Installation Procedure

1. Connect the scanner to the extender cable from the Display Head, then carefully insert the excess cables into the recess on the Display Head.



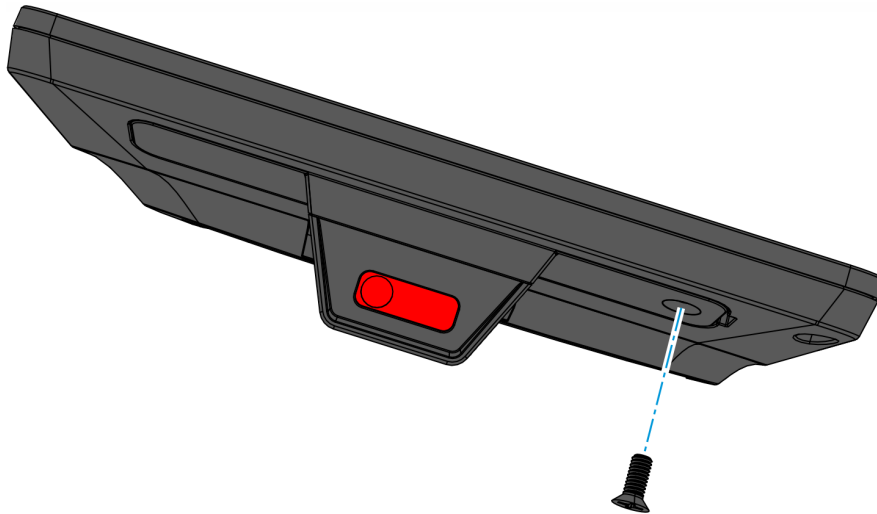
CCP-77066

2. Insert the hook of the scanner into the rectangular hole on the Display Head and press the other end to mount the scanner. Make sure the cables do not get pinched.



CCP-77067

3. Secure the scanner to the Display Head with a screw (1).



CCP-77068

## Programming the Scanner

To program the scanner/imager to work on a Retail or Hospitality (Aloha) POS, refer to the following sections in the Imager Setup Sheets document (BCC5-0000-5470):

<https://onlinehelp.ncr.com/Retail/Scanners/ImagerSetup/HTML/FrontMatter-HTML/Home.htm>

- **Retail**
  - Honeywell N4680 Retail Quick Imager Setup
- **Hospitality (Aloha)**
  - Honeywell N4680 Aloha Programming Sheet