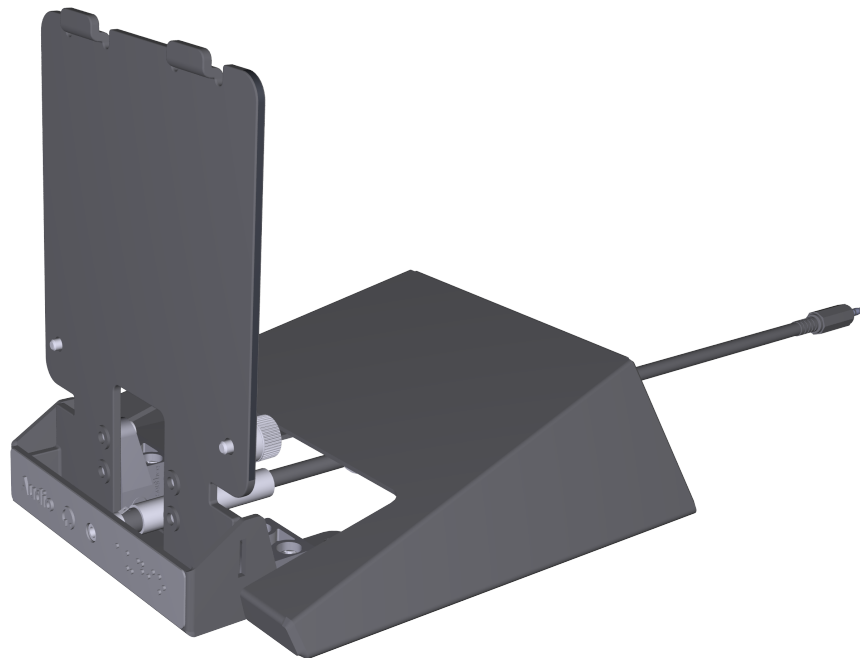


Kit Instructions

XL10W Custom Mount, 508 Accessible with Audio Out



5910-K900
Issue A



The product described in this document is a licensed product of NCR Corporation.

NCR is a registered trademark of NCR Corporation. NCR RealPOS is a trademark of NCR Corporation in the United States and/or other countries. Other product names mentioned in this publication may be trademarks or registered trademarks of their respective companies and are hereby acknowledged.

The terms HDMI and HDMI High-Definition Multimedia Interface, and the HDMI Logo are trademarks or registered trademarks of HDMI Licensing LLC in the United States and other countries.

Where creation of derivative works, modifications or copies of this NCR copyrighted documentation is permitted under the terms and conditions of an agreement you have with NCR, NCR's copyright notice must be included.

It is the policy of NCR Corporation (NCR) to improve products as new technology, components, software, and firmware become available. NCR, therefore, reserves the right to change specifications without prior notice.

All features, functions, and operations described herein may not be marketed by NCR in all parts of the world. In some instances, photographs are of equipment prototypes. Therefore, before using this document, consult with your NCR representative or NCR office for information that is applicable and current.

To maintain the quality of our publications, we need your comments on the accuracy, clarity, organization, and value of this book. Please use the link below to send your comments.

Email: FD230036@ncr.com

Copyright © 2020
By NCR Corporation
Global Headquarters
864 Spring St NW
Atlanta, GA 30308
U.S.A.
All Rights Reserved

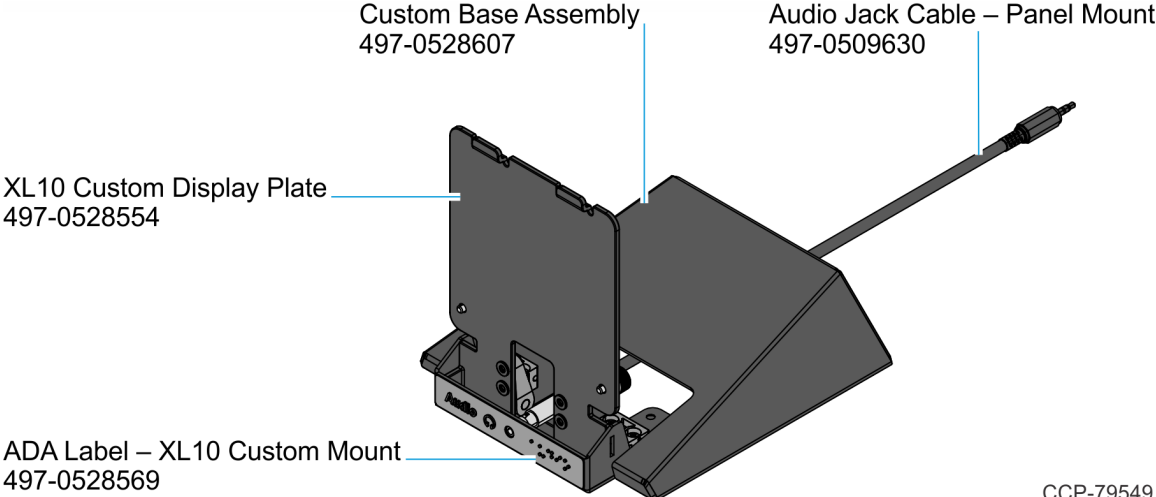
Revision Record

Issue	Date	Remarks
A	Jul 2020	First Issue

XL10W Custom Mount, 508 Accessible with Audio Out

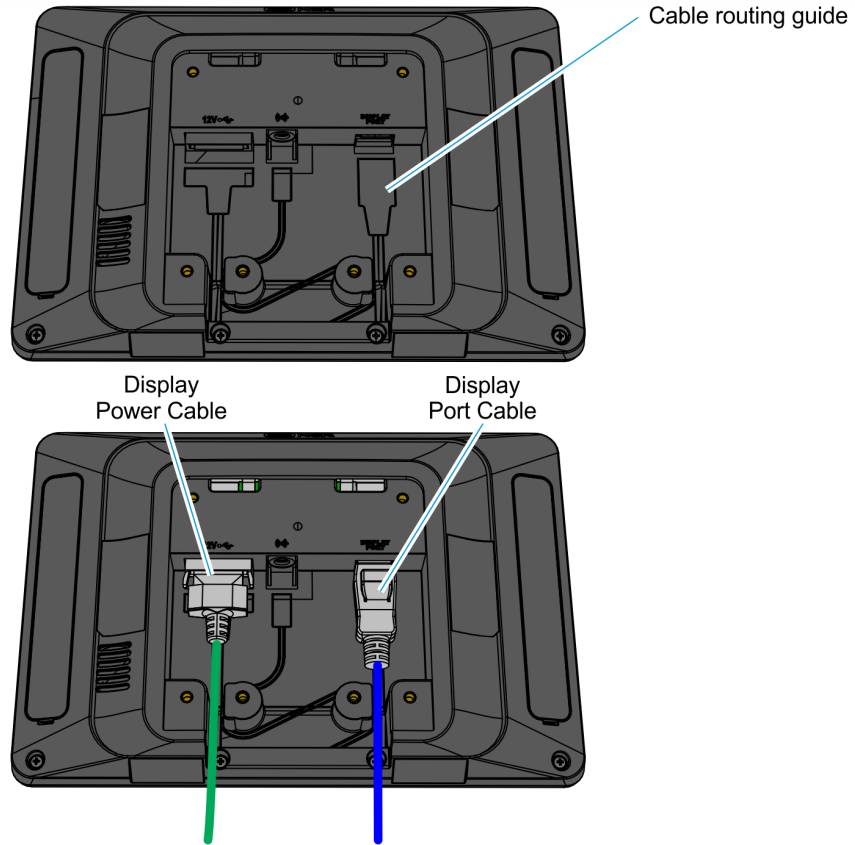
This kit provides a mount for the NCR XL10W (5910) Display.

Kit Contents

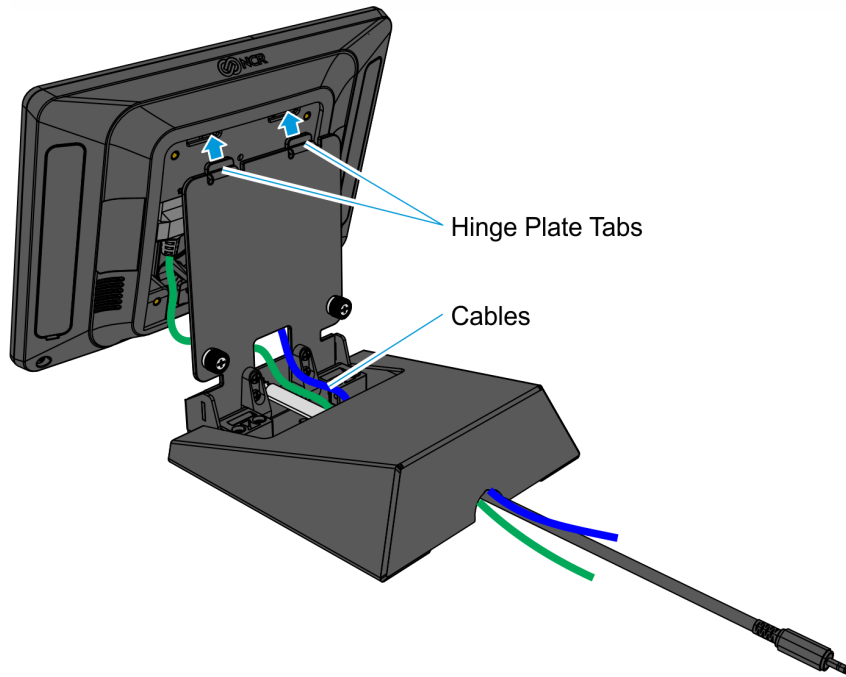


Installation Procedure

1. Connect the Display Power Cable and Display Port Cable and route them according to the imprinted routing guide.

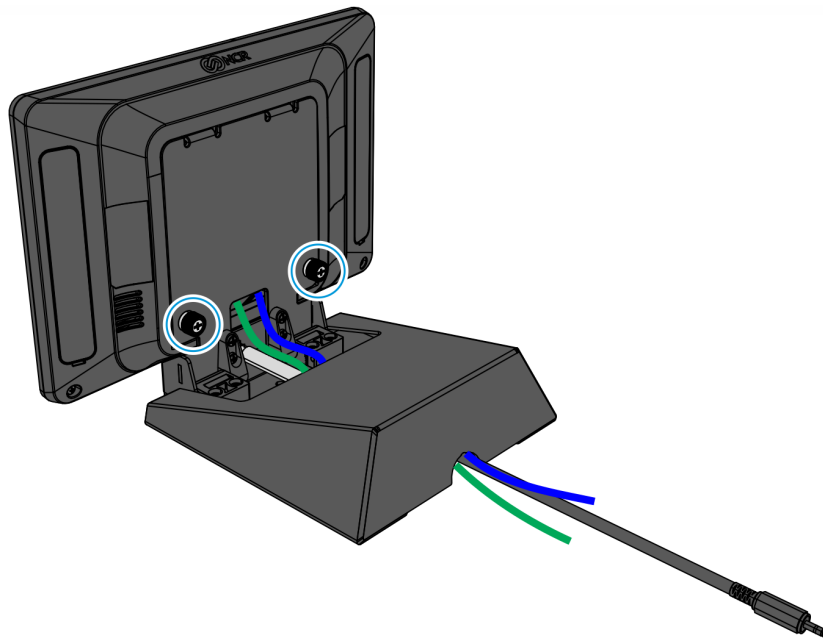


2. Route the Cables through the opening as shown, then insert the Hinge Plate tabs into the slots in the rear of the Display and slowly rotate the Display onto the Plate.



CCP-79550

3. Secure the Display with two (2) captive screws.

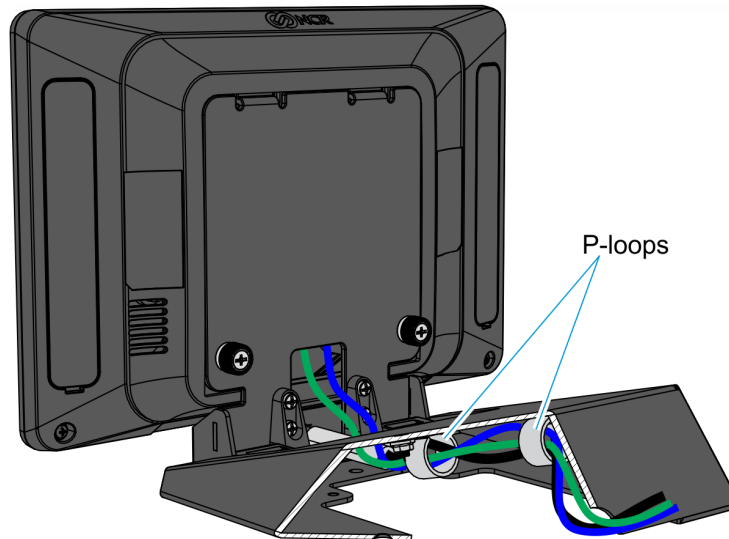


CCP-79551

4. Route the Cables through the P-loops in the Base.



Note: For clarity, a cross-section of the Base is shown in the illustration.



CCP-79552

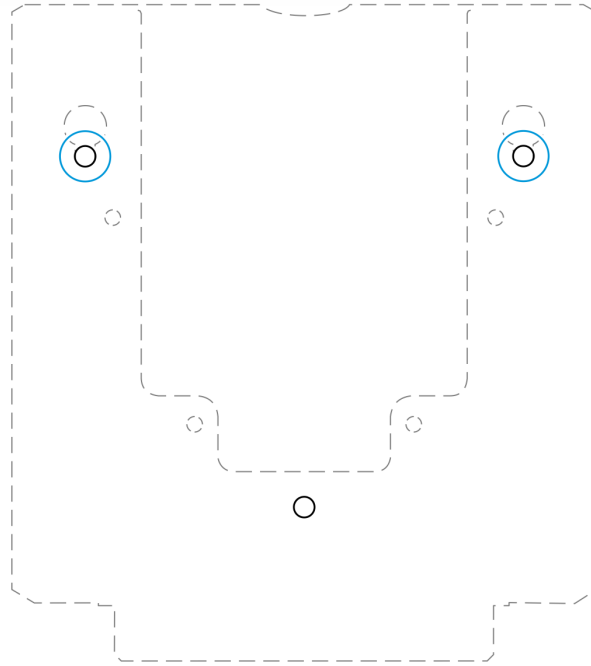
5. Secure the Base on the Countertop.
 - a. Print the 5910-K900 Mounting Template. Refer to [5910-K900 Mounting Template](#) on page 7.

! Important: When printing the template, select **Actual Size** to print in full scale.
 - b. Place the template on a countertop to use as outline for drilling the three mounting holes.

- c. Install the screws on the two mounting holes indicated below. Ensure to leave enough space between the countertop and the screw head for the Base to hook onto.



Note: The illustration below is not to scale.



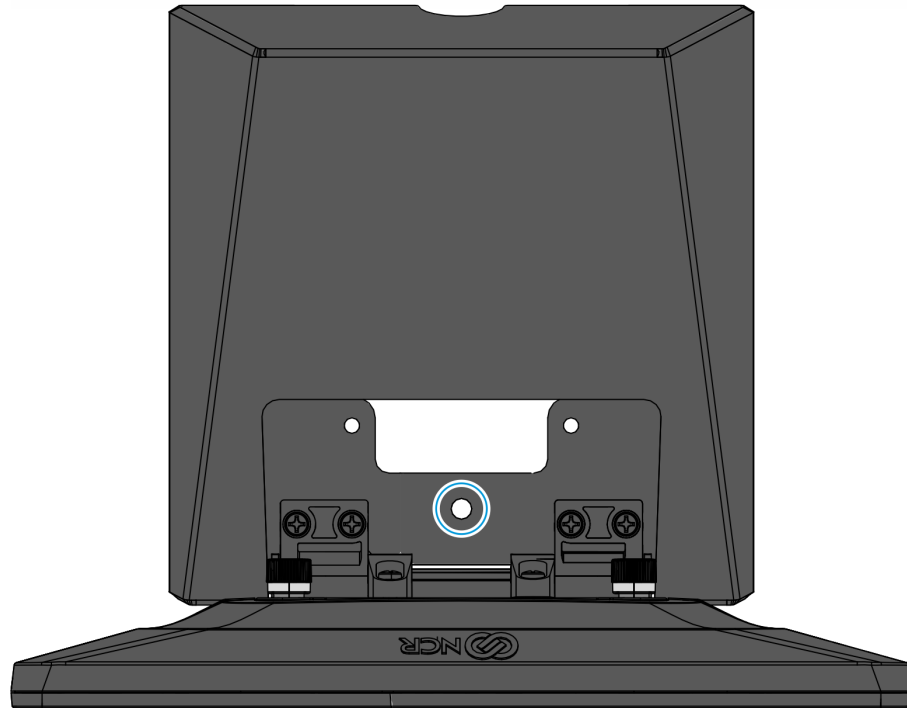
CCP-79554

- d. Position the keyholes of the Base over the two screws and slide the Base into place.

- e. Secure the Base by installing the screw on the mounting hole indicated below.

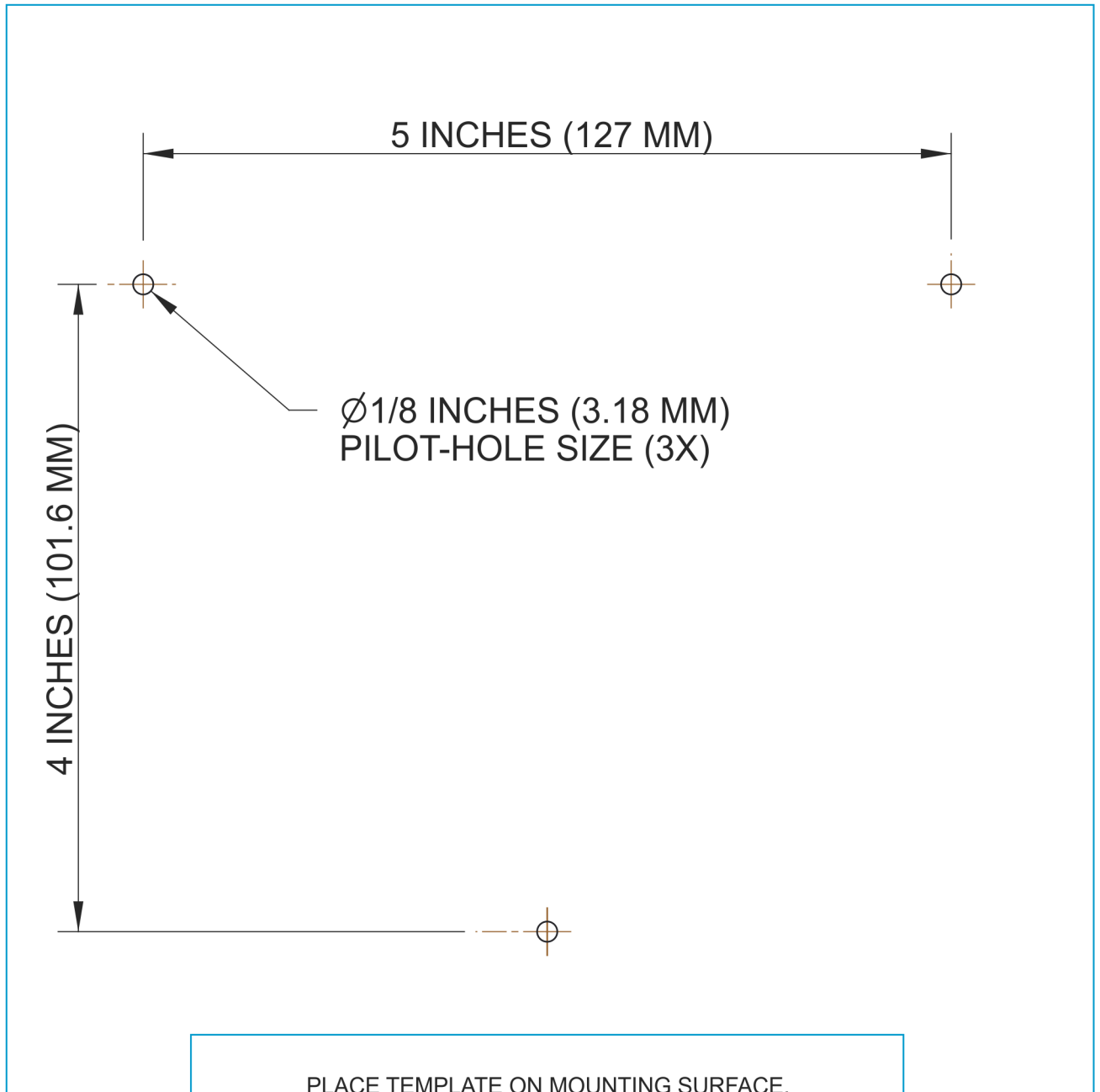


Note: For clarity, the cables are not shown in the illustration.



CCP-79550

5910-K900 Mounting Template



PLACE TEMPLATE ON MOUNTING SURFACE.
DRILL THREE MOUNTING HOLES SPACED AND SIZE AS SHOWN.
RECOMMENDED TO USE NO.10 GAUGE WOOD SCREW.
MAX PROTRUDING HEIGHT OF NO.10 MOUNTING SCREWS ABOVE SURFACE IS 3/8 INCHES (10 MM).
XL10W DISPLAY FACES THIS DIRECTION WHEN MOUNTED.

