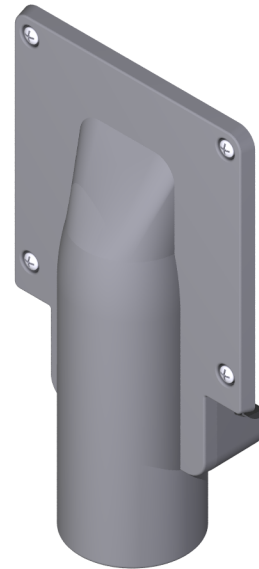


Kit Instructions

Pole Mount Bracket, 10.1" Display



5910-K302
Issue D



The product described in this document is a licensed product of NCR Corporation.

NCR is a registered trademark of NCR Corporation. NCR RealPOS is a trademark of NCR Corporation in the United States and/or other countries. Other product names mentioned in this publication may be trademarks or registered trademarks of their respective companies and are hereby acknowledged.

The terms HDMI and HDMI High-Definition Multimedia Interface, and the HDMI Logo are trademarks or registered trademarks of HDMI Licensing LLC in the United States and other countries.

Where creation of derivative works, modifications or copies of this NCR copyrighted documentation is permitted under the terms and conditions of an agreement you have with NCR, NCR's copyright notice must be included.

It is the policy of NCR Corporation (NCR) to improve products as new technology, components, software, and firmware become available. NCR, therefore, reserves the right to change specifications without prior notice.

All features, functions, and operations described herein may not be marketed by NCR in all parts of the world. In some instances, photographs are of equipment prototypes. Therefore, before using this document, consult with your NCR representative or NCR office for information that is applicable and current.

To maintain the quality of our publications, we need your comments on the accuracy, clarity, organization, and value of this book. Please use the link below to send your comments.

Email: FD230036@ncr.com

Copyright © 2017–2020

By NCR Corporation

Global Headquarters

864 Spring St NW

Atlanta, GA 30308

U.S.A.

All Rights Reserved

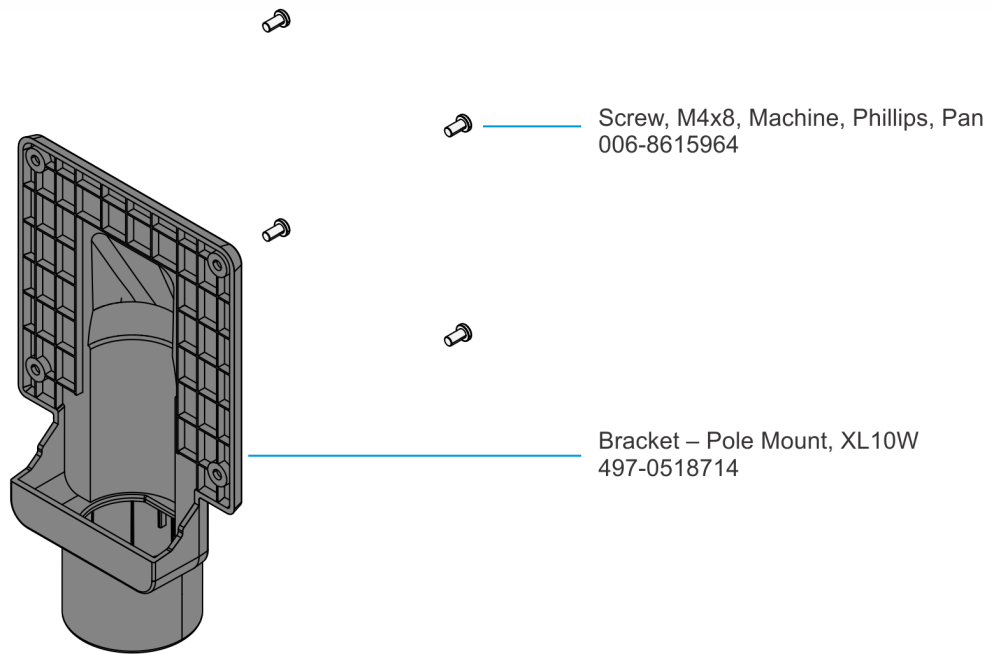
Revision Record

Issue	Date	Remarks
A	Nov 2017	First Issue
B	Dec 2019	Updated terminology for USB with type C connector
C	May 2020	Updated cable routing for XL10 USB model
D	Sep 2020	Added cable routing for Display Port and HD Model

Pole Mount Bracket, 10.1" Display

This kit provides a bracket to mount a non-touch NCR XL10W (5910) Display to a pole.

Kit Contents



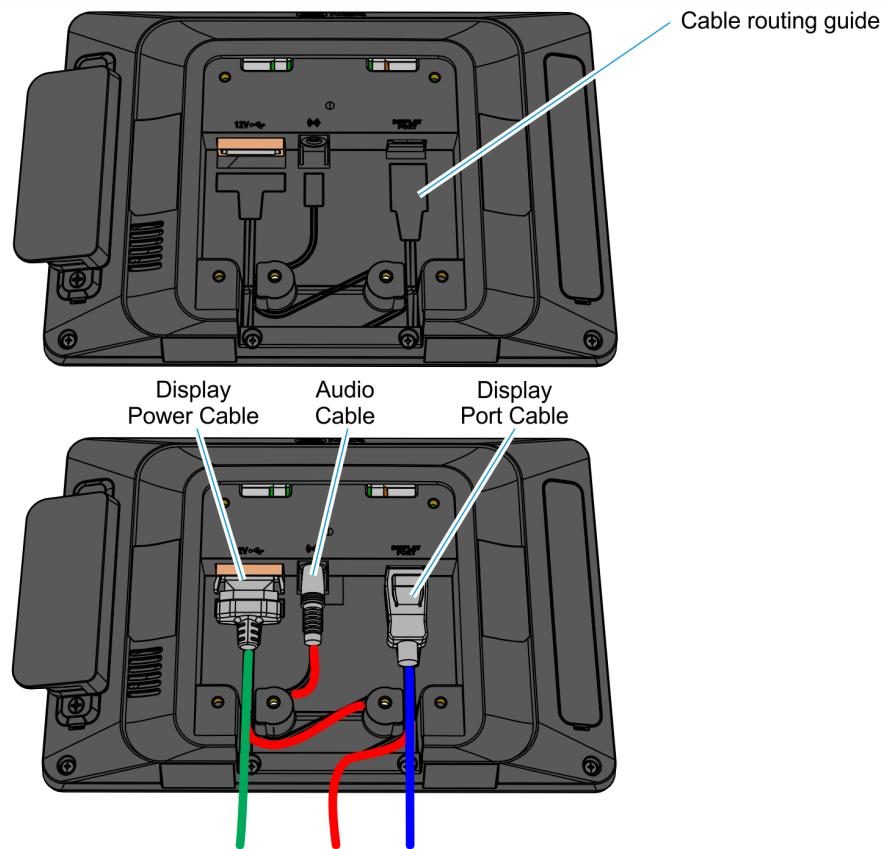
CCP-72364

Installation Procedure

1. Connect the Display cables and route them according to the imprinted routing guide.

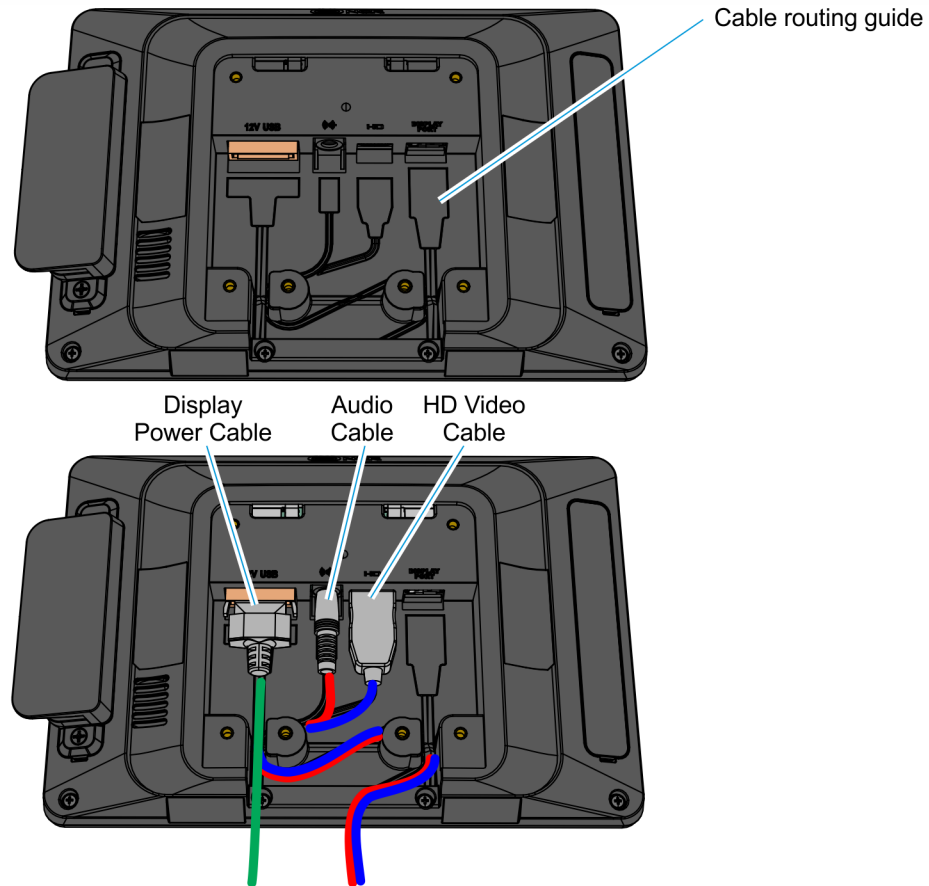
Display Port Model

- a. Connect and route the Audio Cable first. Route the cable looping around the cable strain relief posts as shown.
- b. Connect the Display Power Cable and route straight down over the Audio Cable.
- c. Connect the Display Port Cable and route straight down over the Audio Cable.



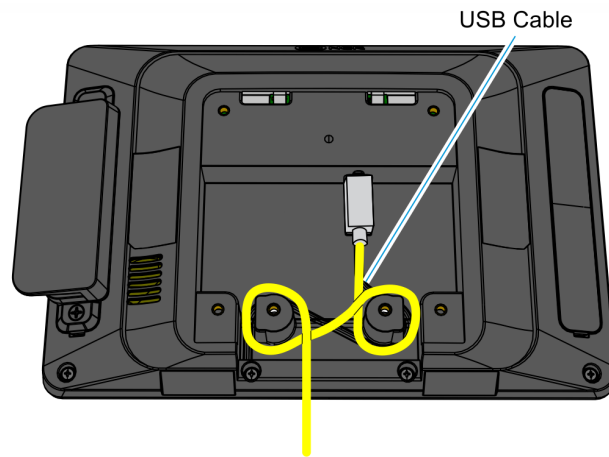
Display Port and HD Model

- a. Connect and route the Audio Cable first. Route the cable looping around the cable strain relief posts as shown.
- b. Connect the HD Video Cable. Route the cable looping around the cable strain relief posts as shown.
- c. Connect the Display Power Cable and route straight down over the Audio Cable and the HD Video Cable.



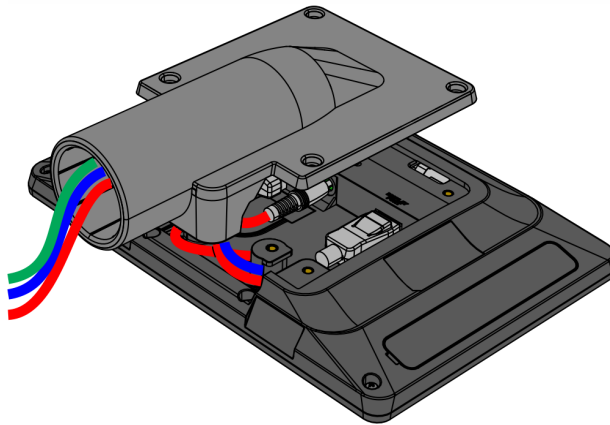
USB Model

- a. Connect and route the USB Cable looping around the cable strain relief posts as shown.



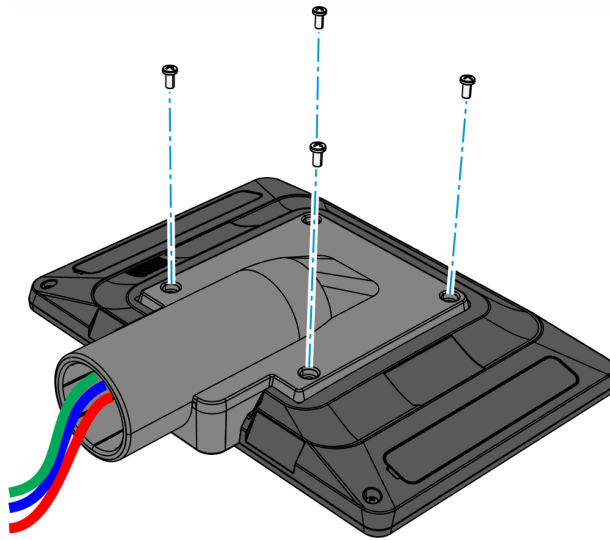
CCP-79036

2. Insert the cable(s) through the Bracket opening.



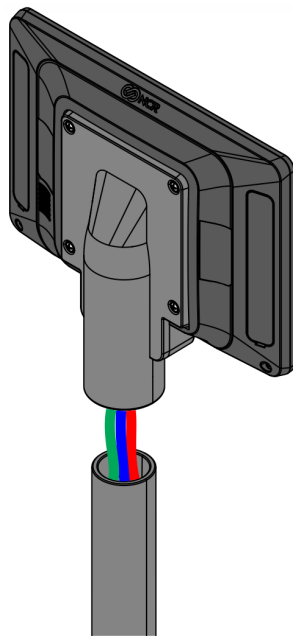
CCP-72365

3. Install the Bracket on the back of the Display (4 screws).



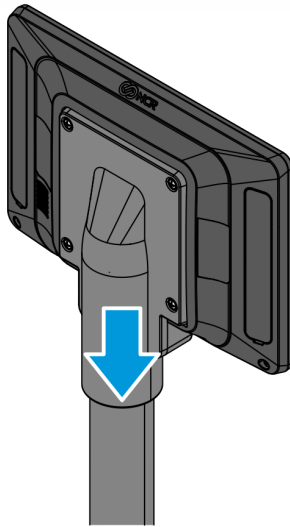
CCP-72366

4. Insert the cable(s) through the Pole.



CCP-72367

5. Mount the Display on the Pole.



CCP-72368

6. Connect the Display Cable(s) to the host terminal.