

Kit Instructions

XL10W Wedge Stand



5910-K030
Issue D



The product described in this document is a licensed product of NCR Corporation.

NCR is a registered trademark of NCR Corporation. NCR RealPOS is a trademark of NCR Corporation in the United States and/or other countries. Other product names mentioned in this publication may be trademarks or registered trademarks of their respective companies and are hereby acknowledged.

The terms HDMI and HDMI High-Definition Multimedia Interface, and the HDMI Logo are trademarks or registered trademarks of HDMI Licensing LLC in the United States and other countries.

Where creation of derivative works, modifications or copies of this NCR copyrighted documentation is permitted under the terms and conditions of an agreement you have with NCR, NCR's copyright notice must be included.

It is the policy of NCR Corporation (NCR) to improve products as new technology, components, software, and firmware become available. NCR, therefore, reserves the right to change specifications without prior notice.

All features, functions, and operations described herein may not be marketed by NCR in all parts of the world. In some instances, photographs are of equipment prototypes. Therefore, before using this document, consult with your NCR representative or NCR office for information that is applicable and current.

To maintain the quality of our publications, we need your comments on the accuracy, clarity, organization, and value of this book. Please use the link below to send your comments.

EMail: FD230036@ncr.com

Copyright © 2018–2020

By NCR Corporation

Global Headquarters

864 Spring St NW

Atlanta, GA 30308

U.S.A.

All Rights Reserved

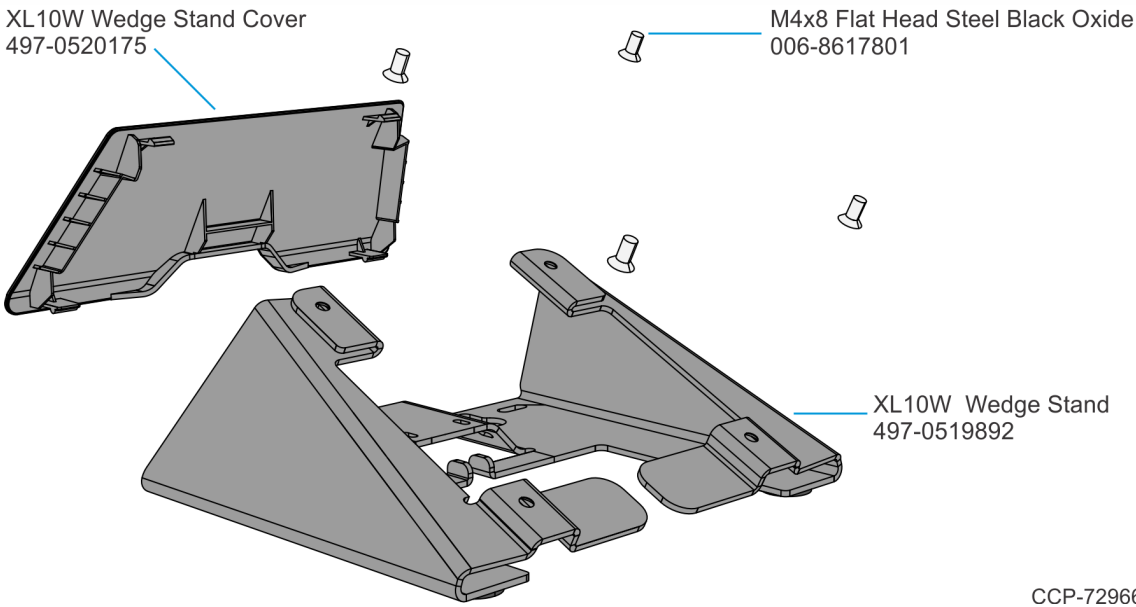
Revision Record

Issue	Date	Remarks
A	July 2018	First Issue
B	Dec 2019	Updated terminology for USB with type C connector
C	May 2020	Updated cable routing for XL10 USB model
D	Sep 2020	Added Wedge Stand dimensions, and cable routing for Display Port and HD Model

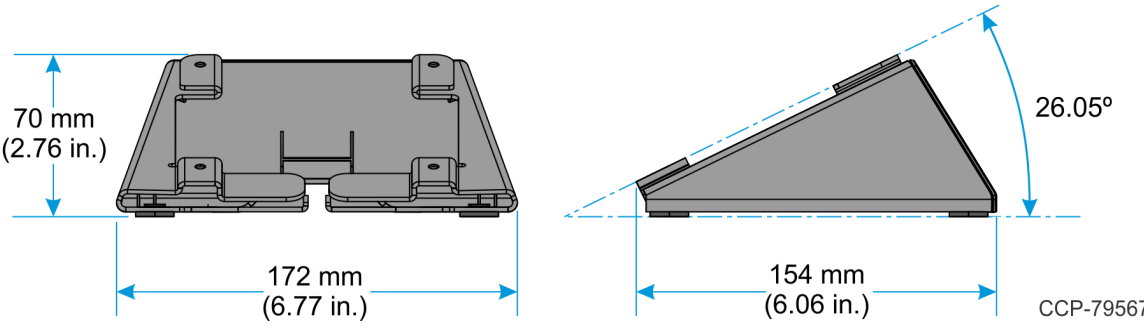
XL10W Wedge Stand

This kit provides a wedge stand for the NCR XL10W (5910) Display.

Kit Contents

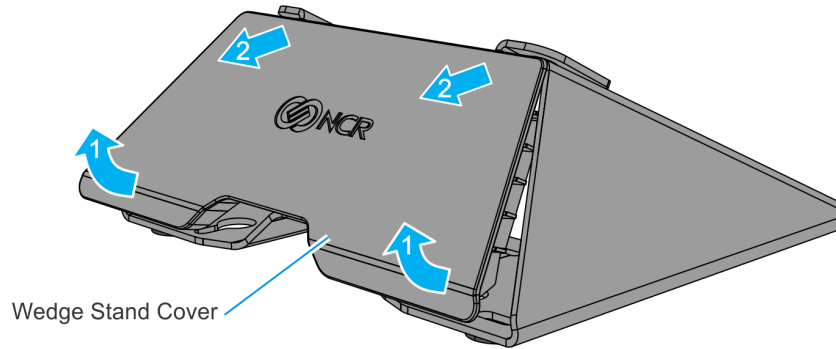


Dimensions



Installation Procedure

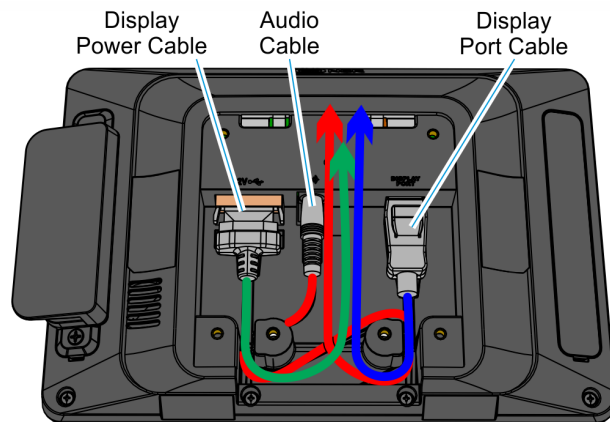
1. Remove the Cover from the Wedge Stand.
 - a. Swing the Cover upward to detach. The Cover has a snap fit connection on the bottom.
 - b. Pull Cover in the direction shown to unlatch.



CCP-72967

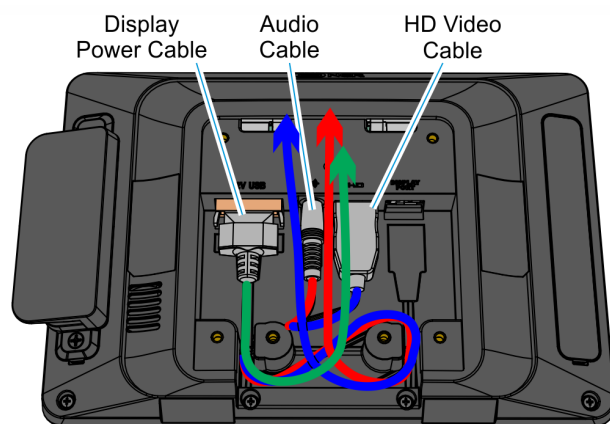
2. Connect the Display Cables and route them as shown.

Display Port Model



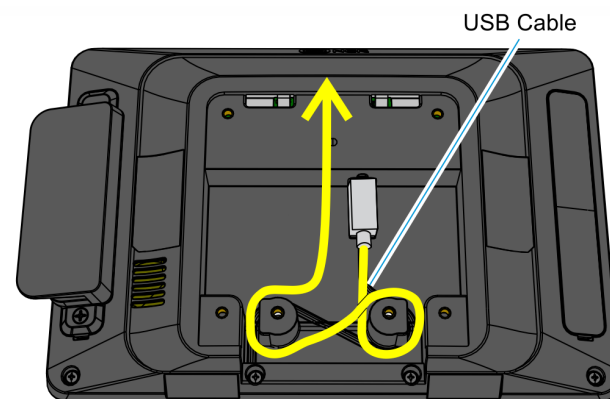
CCP-72980

Display Port and HD Model



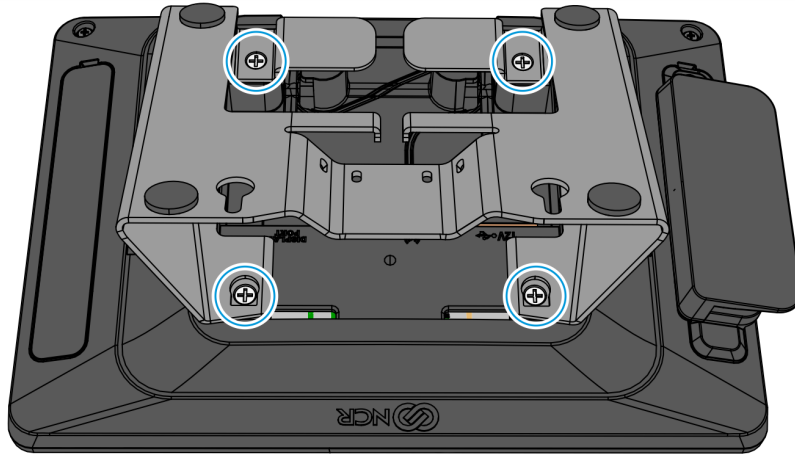
CCP-79559

USB Model



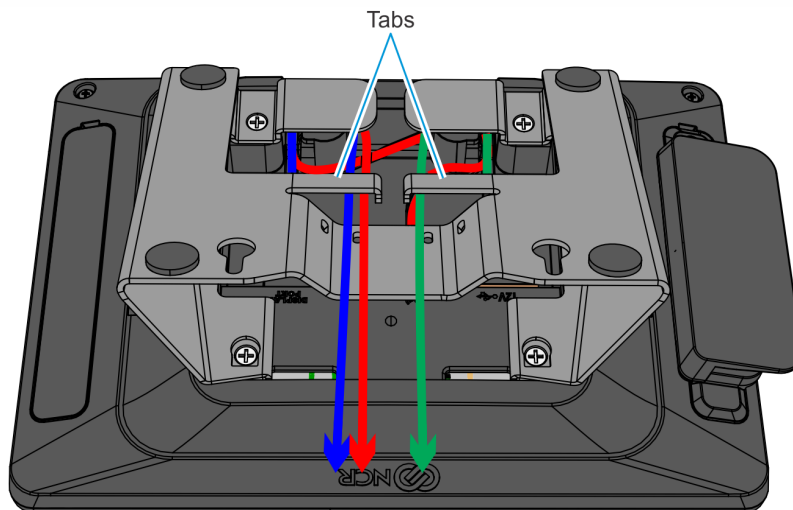
CCP-79043

3. Install the Wedge Stand on the back of the Display (4 screws).



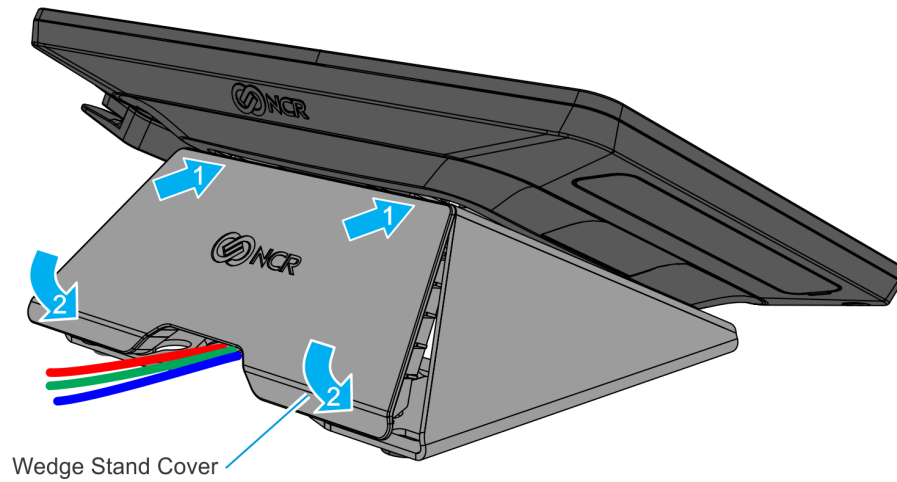
CCP-72968

4. Route the Cables through the slot between the tabs and make sure the Cables are behind the tabs.



CCP-72982

5. Reinstall the Wedge Stand Cover.
 - a. Insert the tabs of the Cover into the Wedge Stand.
 - b. Swing the Cover down until it latches into place.



6. Connect the Display Cable(s) to the host terminal.