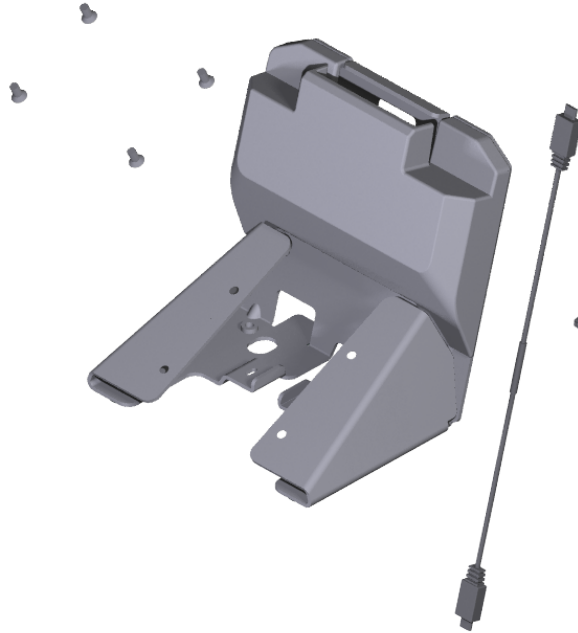


Kit Instructions

7" Customer Display 3-in-1 Payment



5907-K400-V001/V002
Issue B



The product described in this document is a licensed product of NCR Corporation.

NCR is a registered trademark of NCR Corporation. NCR RealPOS is a trademark of NCR Corporation in the United States and/or other countries. Other product names mentioned in this publication may be trademarks or registered trademarks of their respective companies and are hereby acknowledged.

The terms HDMI and HDMI High-Definition Multimedia Interface, and the HDMI Logo are trademarks or registered trademarks of HDMI Licensing LLC in the United States and other countries.

Where creation of derivative works, modifications or copies of this NCR copyrighted documentation is permitted under the terms and conditions of an agreement you have with NCR, NCR's copyright notice must be included.

It is the policy of NCR Corporation (NCR) to improve products as new technology, components, software, and firmware become available. NCR, therefore, reserves the right to change specifications without prior notice.

All features, functions, and operations described herein may not be marketed by NCR in all parts of the world. In some instances, photographs are of equipment prototypes. Therefore, before using this document, consult with your NCR representative or NCR office for information that is applicable and current.

To maintain the quality of our publications, we need your comments on the accuracy, clarity, organization, and value of this book. Please use the link below to send your comments.

Email: FD230036@ncr.com

Copyright © 2019
By NCR Corporation
Global Headquarters
864 Spring St NW
Atlanta, GA 30308
U.S.A.
All Rights Reserved

Revision Record

Issue	Date	Remarks
A	Mar 2019	First Issue
B	Aug 2019	Added V002

7" Customer Display 3-in-1 Payment

This kit provides a stand to install the 3-in-1 Payment device on the NCR XL7W (5907) Display.

Kit Contents

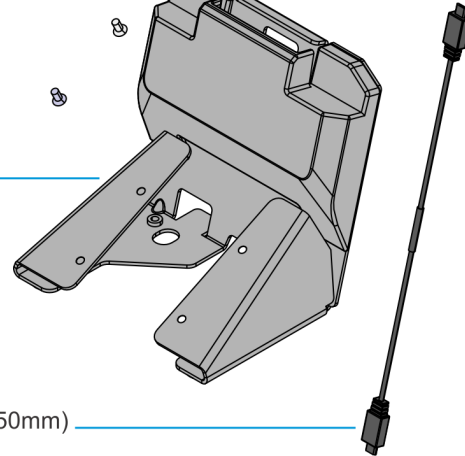
- [5907-K400-V001](#)
- [5907-K400-V002](#)

5907-K400-V001

M4x8 Flat Head _____
Steel Black Tri RoHS
006-8617801

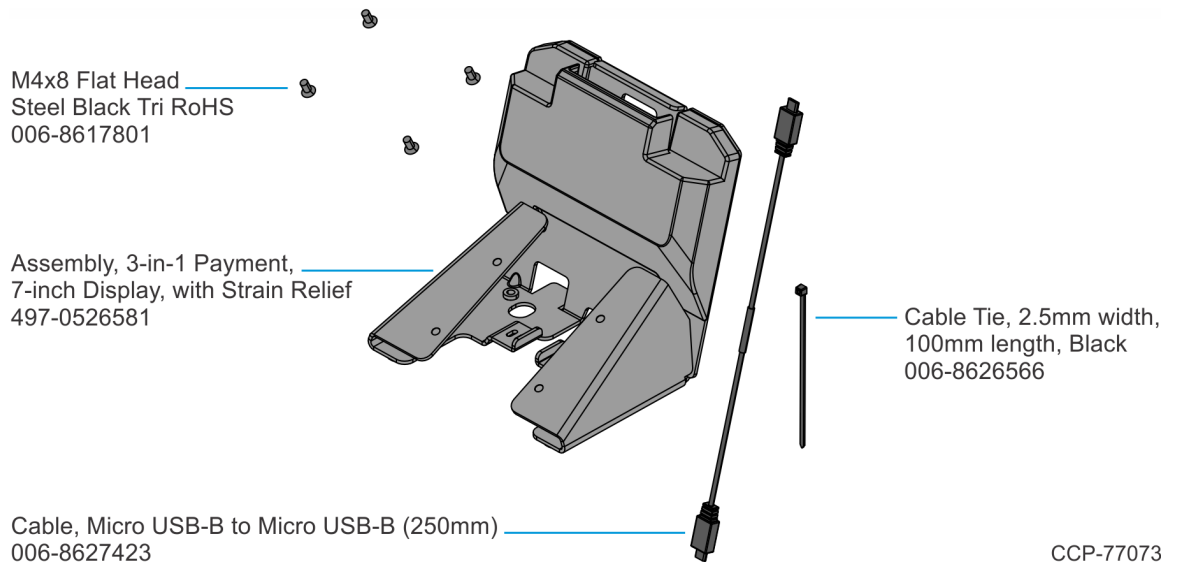
Assembly, 3-in-1 Payment, _____
7-inch Display
497-0524518

Cable, Micro USB-B to Micro USB-B (250mm) _____
006-8627423



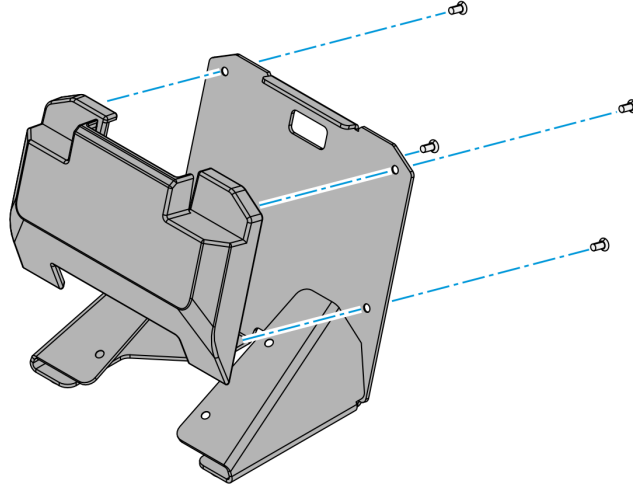
CCP-75475

5907-K400-V002



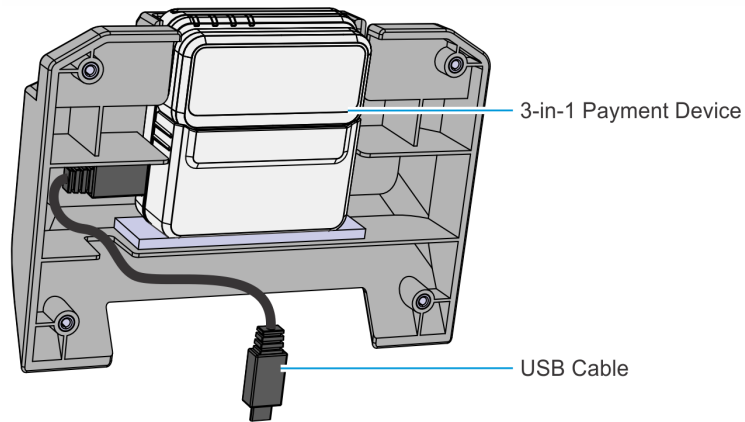
Installation Procedure

1. Install the 3-in-1 Payment Device on the stand.
 - a. Remove the Cover (4 screws).



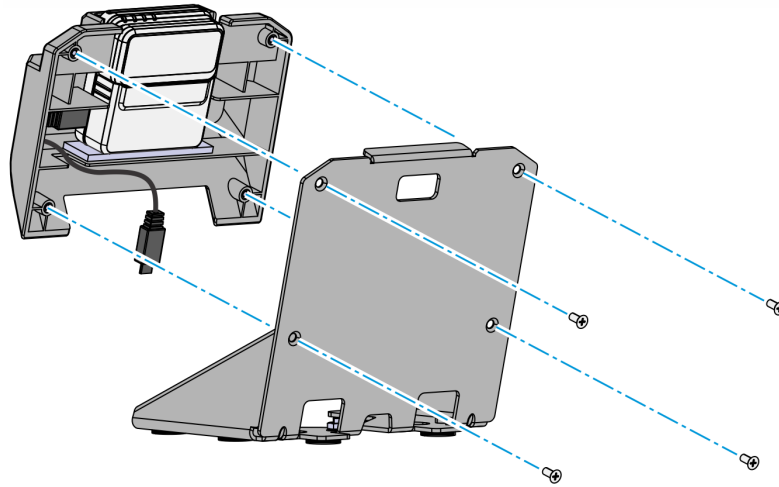
CCP-75476

- b. Connect the USB Cable to the 3-in-1 Payment Device. Position the Payment Device on the Cover and route the Cable as shown.



CCP-75477

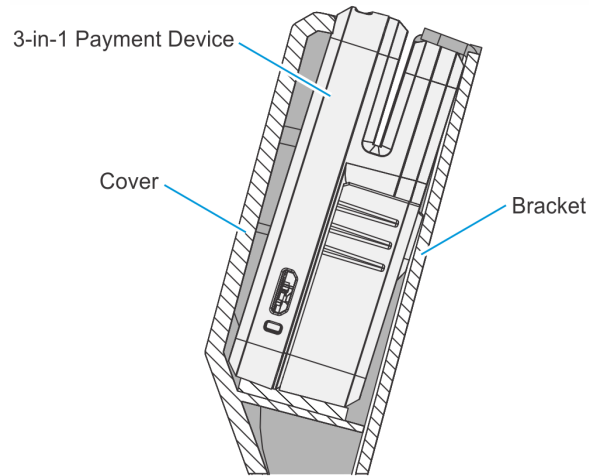
c. Reinstall the Cover (4 screws).



CCP-75478

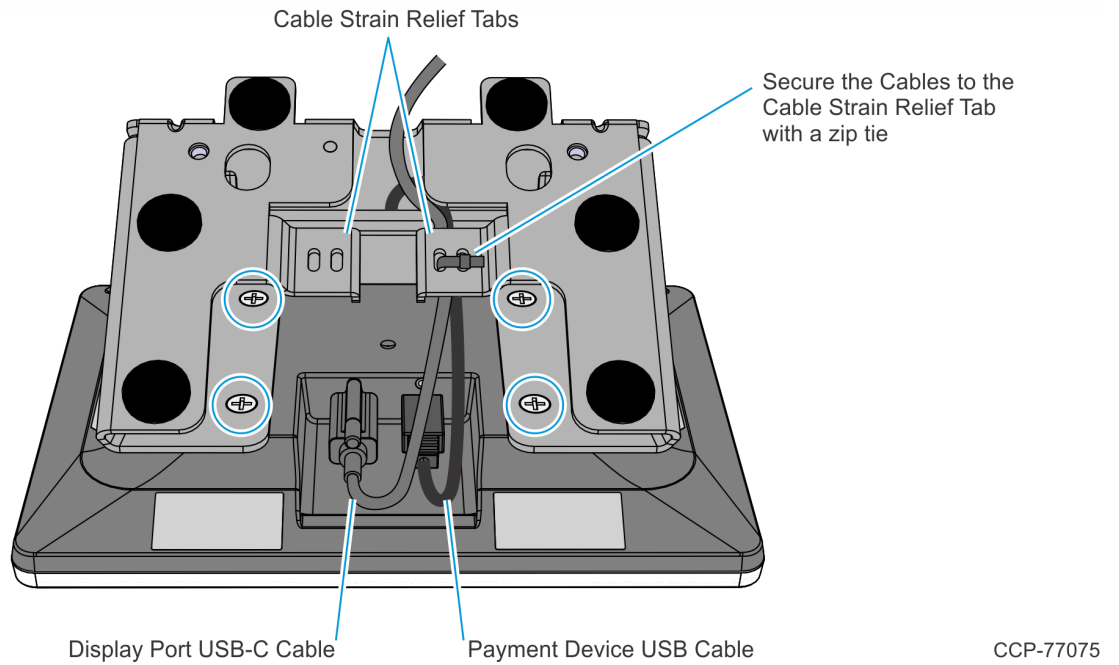


Note: Ensure the Payment Device is positioned as shown in the cross-sectional image below.



CCP-75480

2. Install the stand on the Display.



- a. Install the stand on the back of the Display (4 screws).
- b. Route the Payment Device USB Cable and Display Port USB-C Cable through one of the Cable Strain Relief Tabs and secure both cables to the Tab with a zip tie.
- c. Connect the Payment Device USB Cable and Display Port USB-C Cable to the Display.

